

咔塔 **CaDA**

Designed in California

TECHNIC



Double E

Building Blocks Remote-controlled Running Function



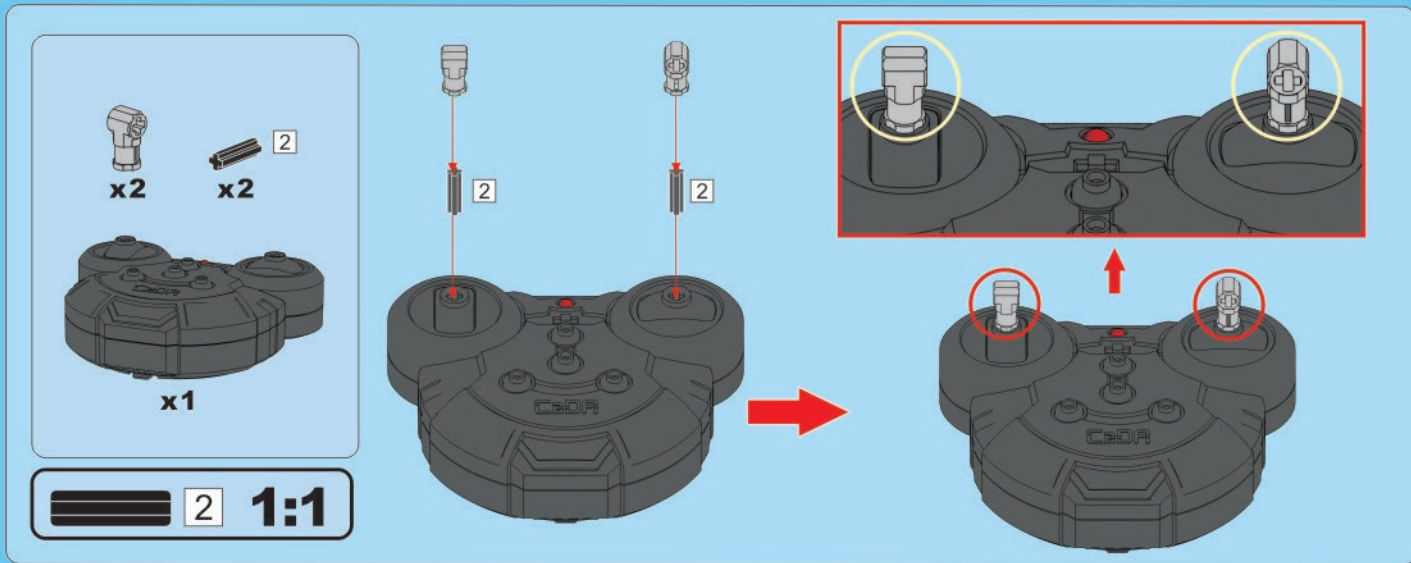
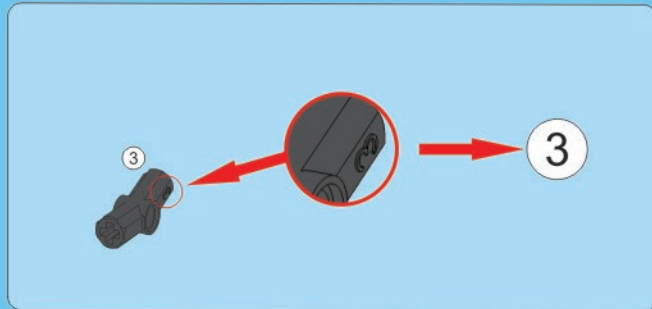
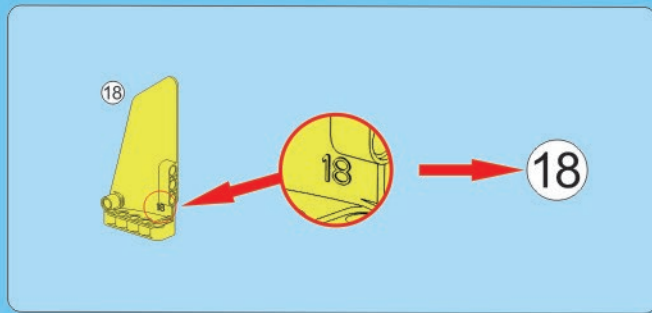
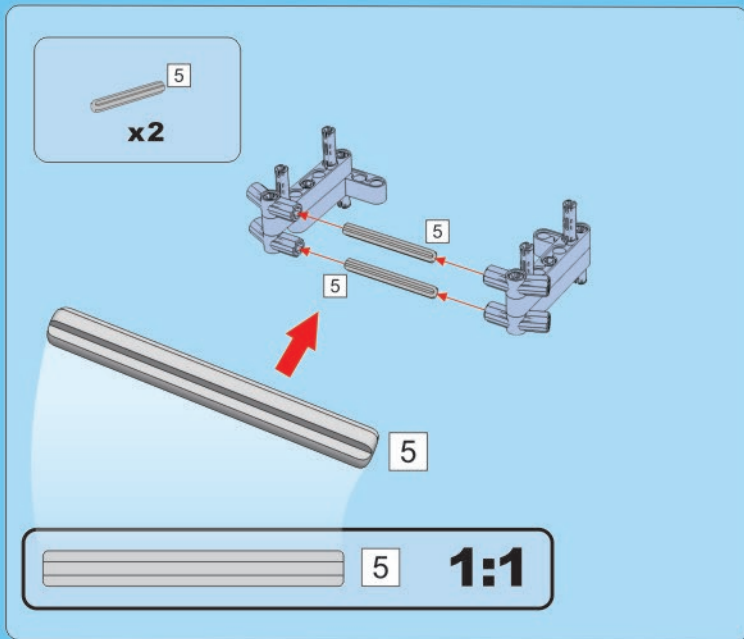
Age

6 +

C51014

Mixer
Truck

RC
RADIO CONTROL



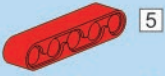
A



x10



x1



5

x2

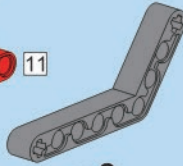


x2



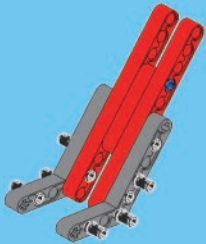
11

x2

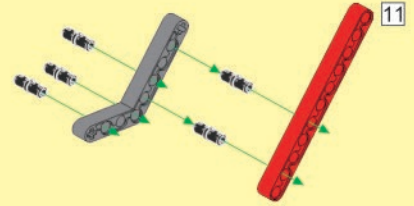


11

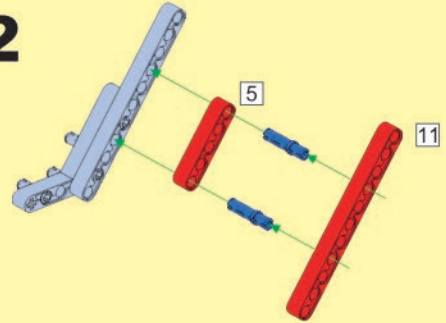
A1



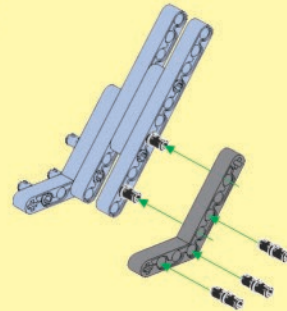
1



2



3

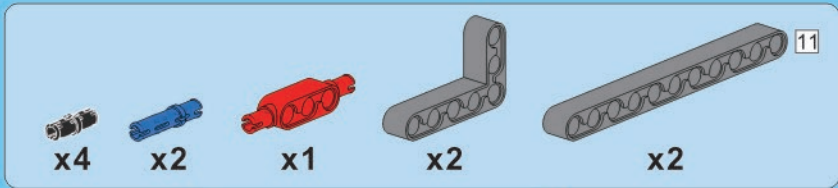


5

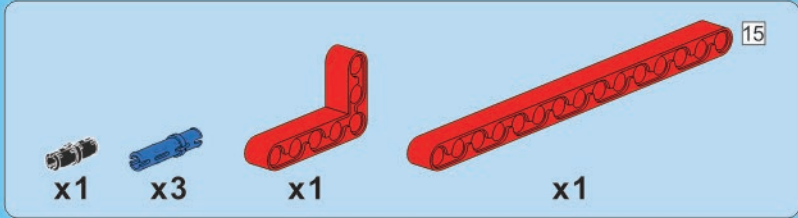
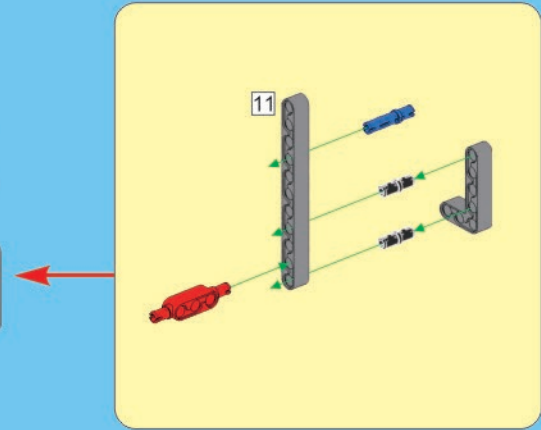
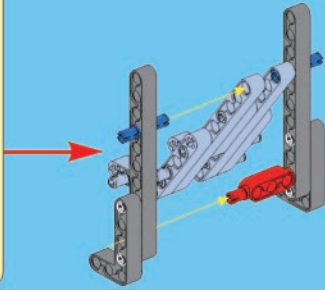
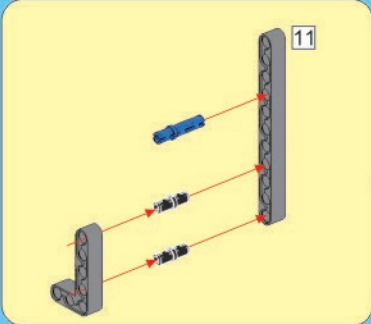


11

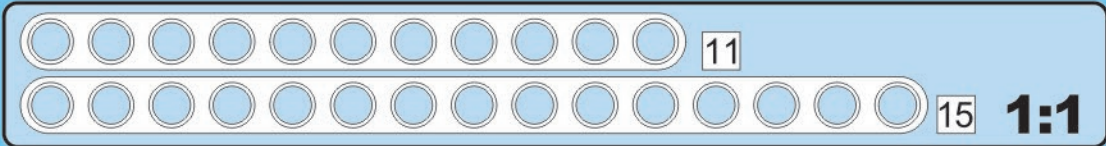
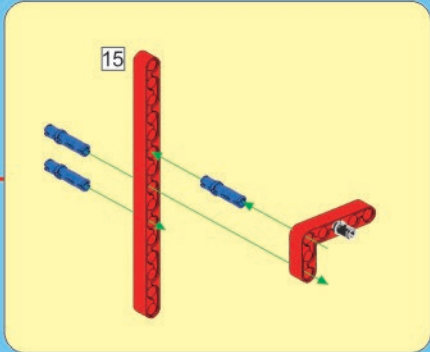
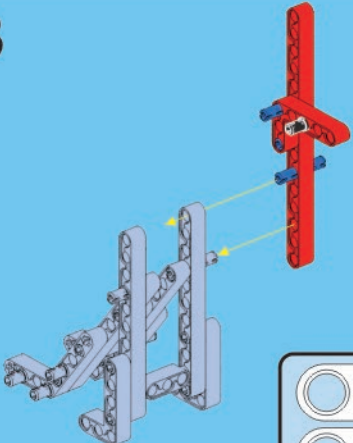
1:1

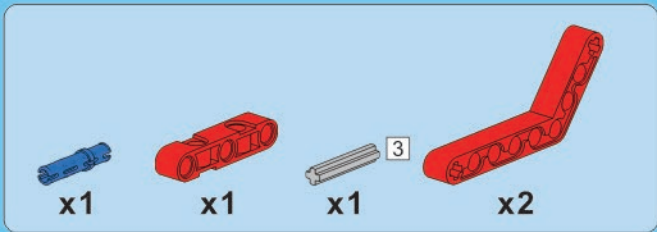


A2

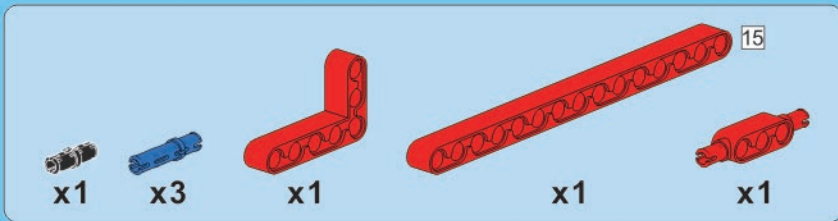
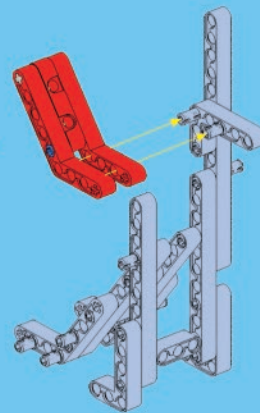
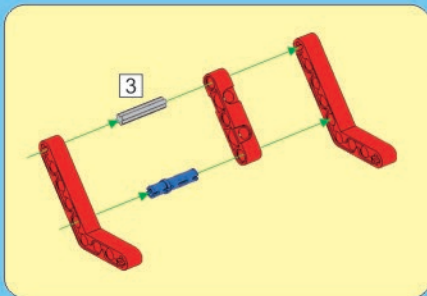


A3

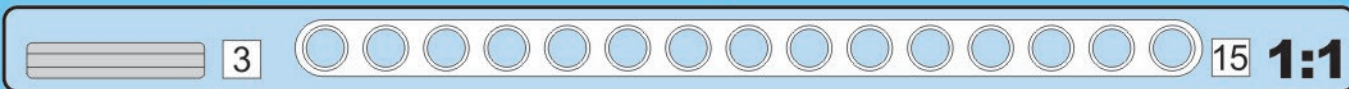
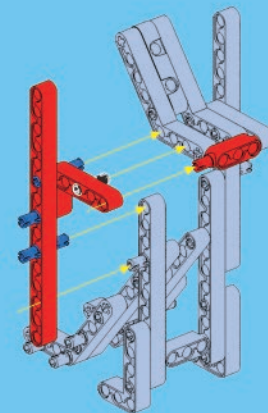
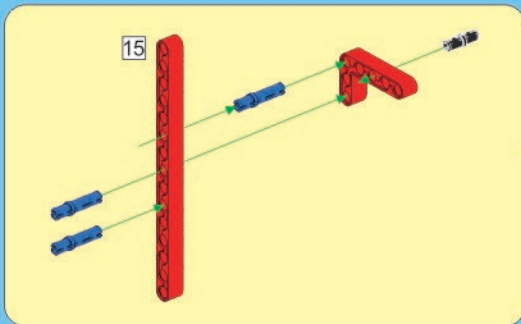


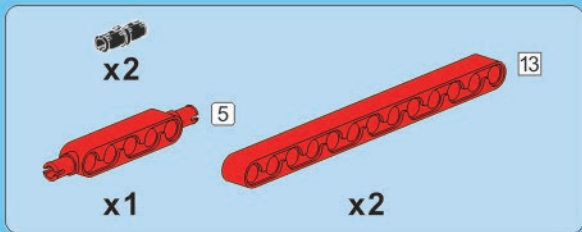


A4

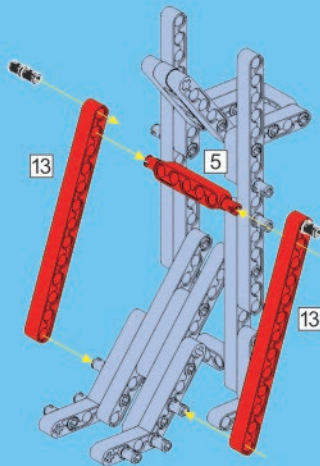


A5

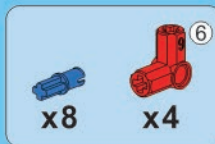
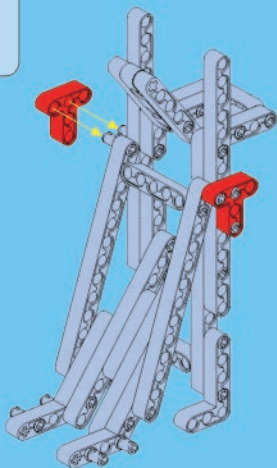




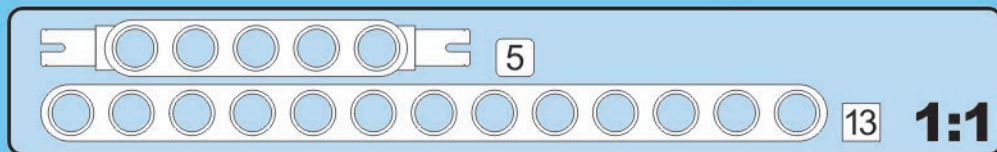
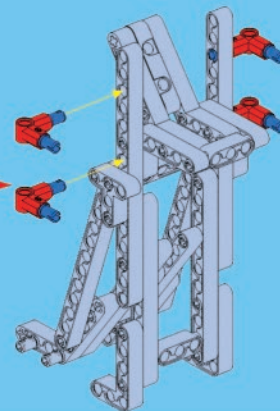
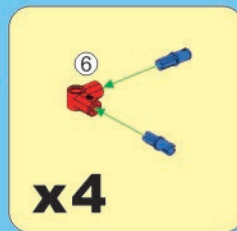
A6



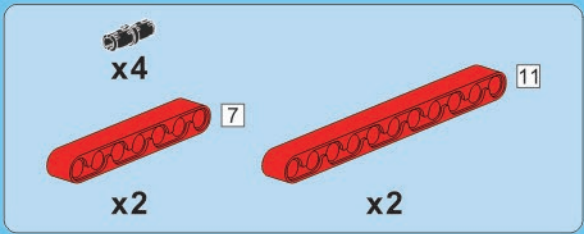
A7



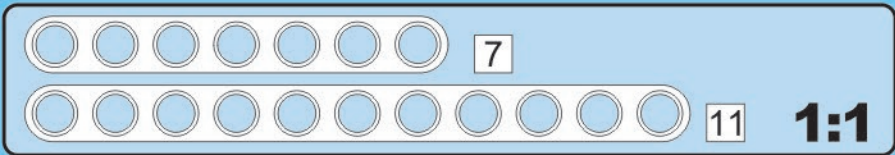
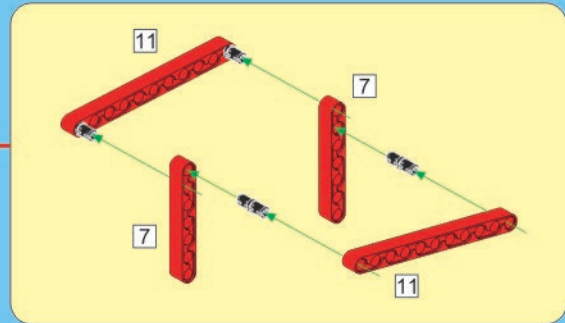
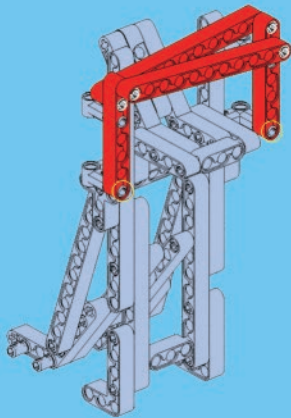
A8

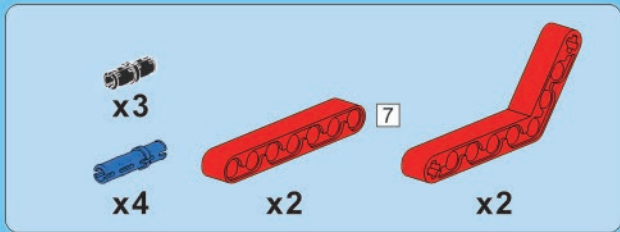


1:1

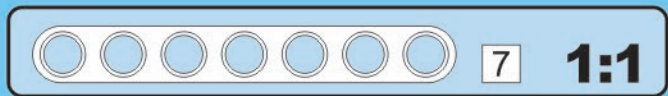
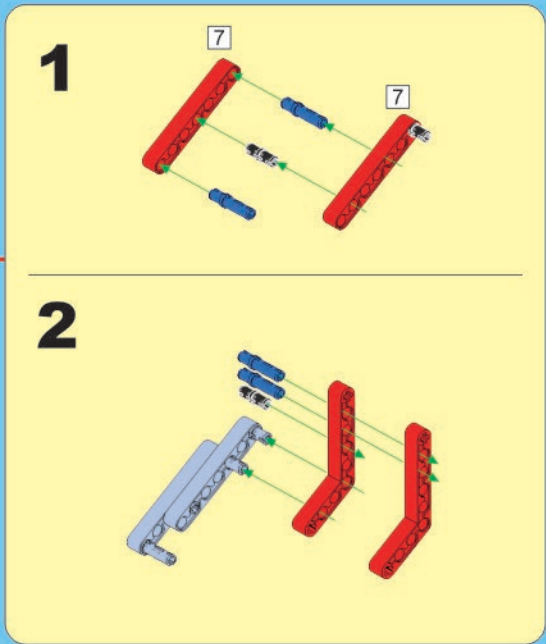
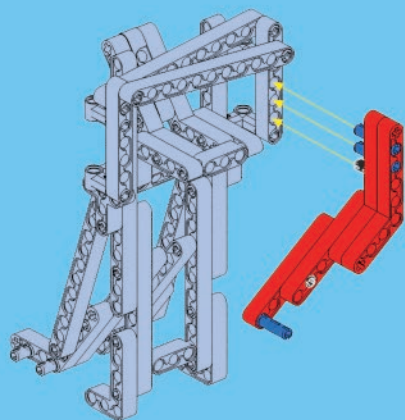


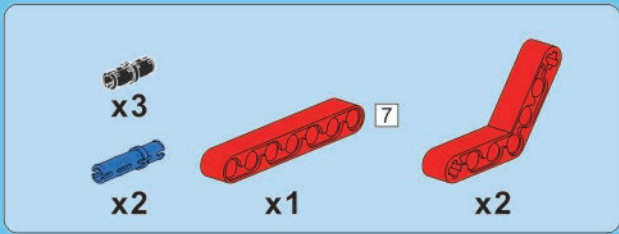
A9



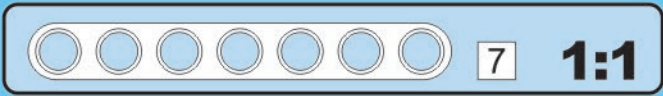
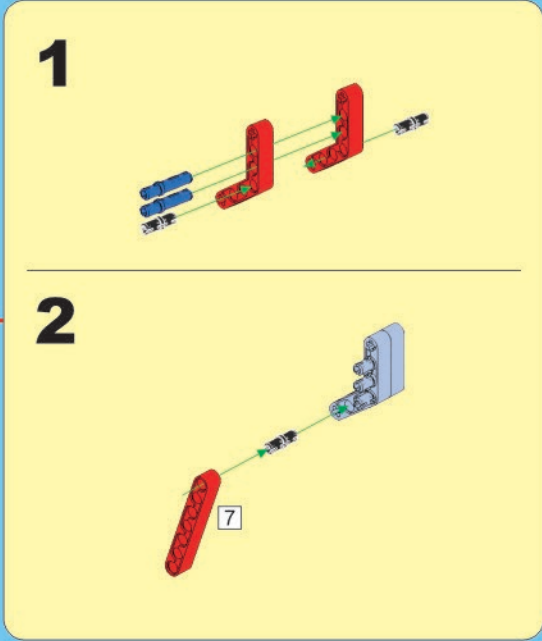
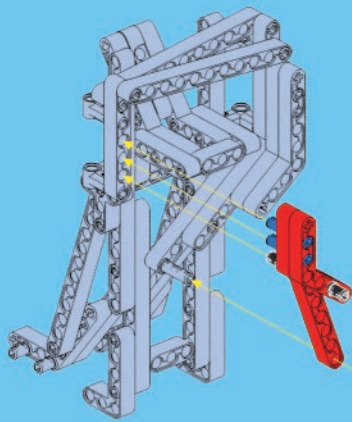


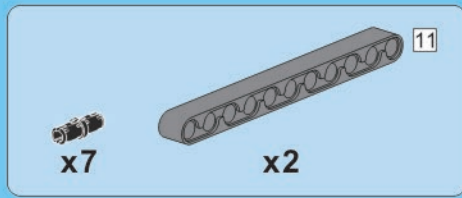
A10



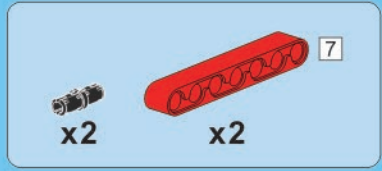
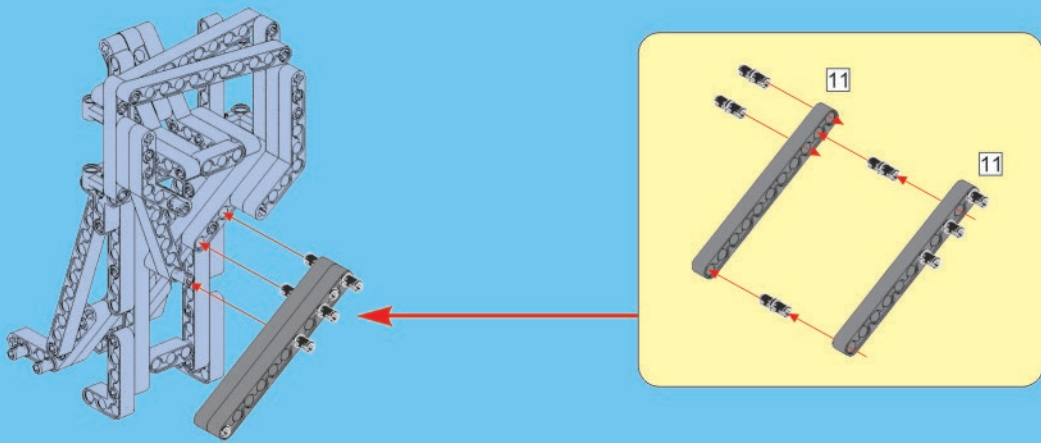


A11

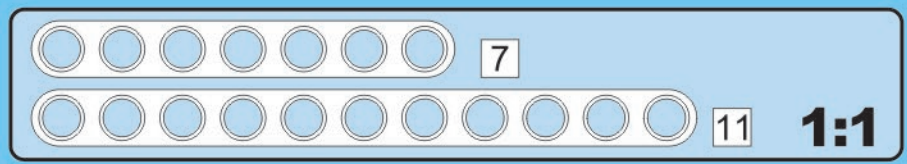
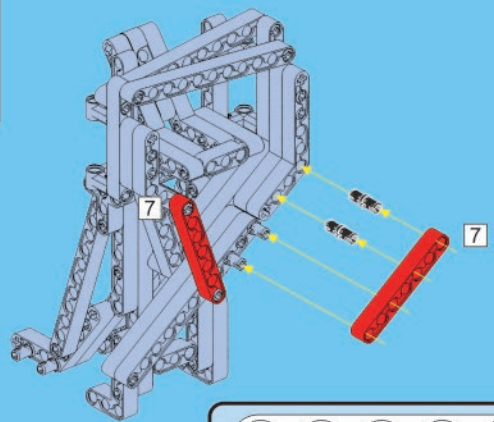




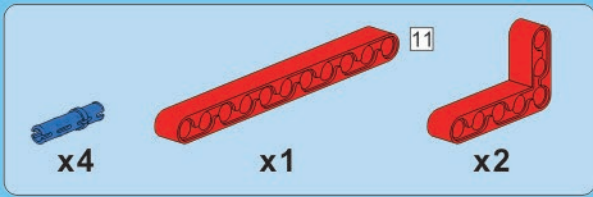
A12



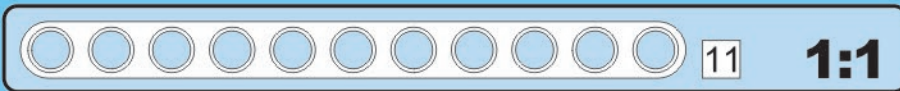
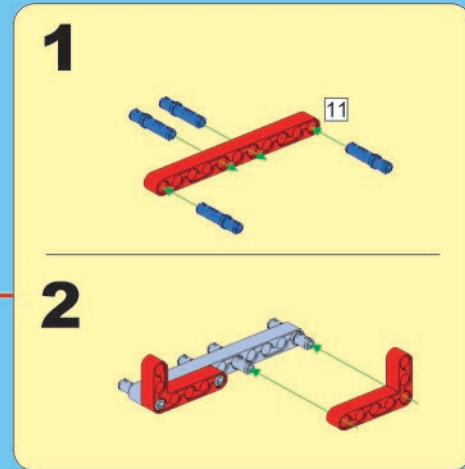
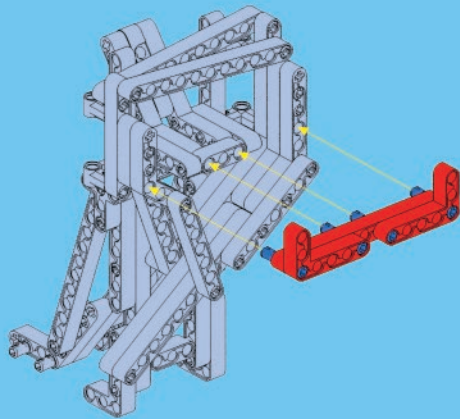
A13

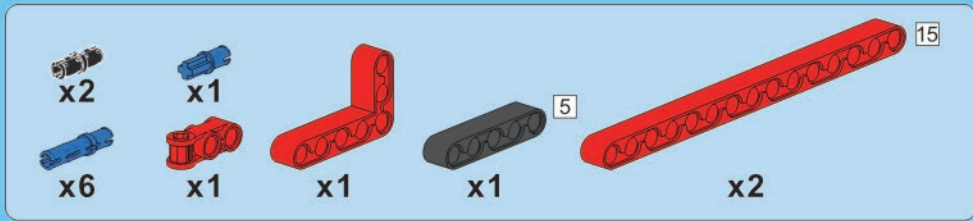


1:1

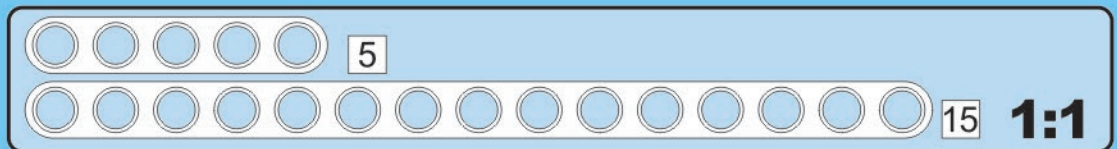
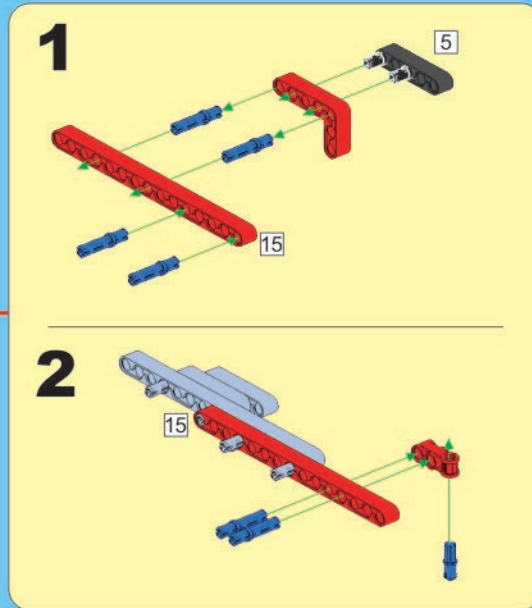
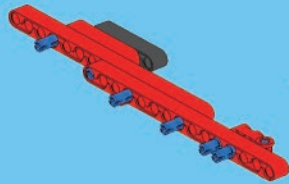


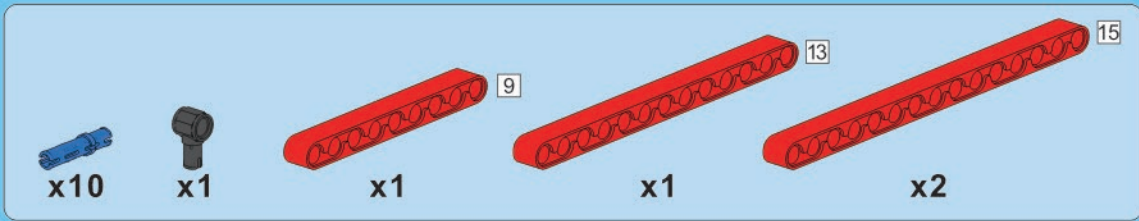
A14



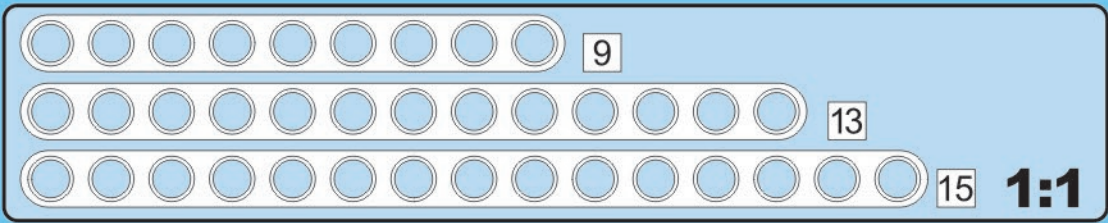
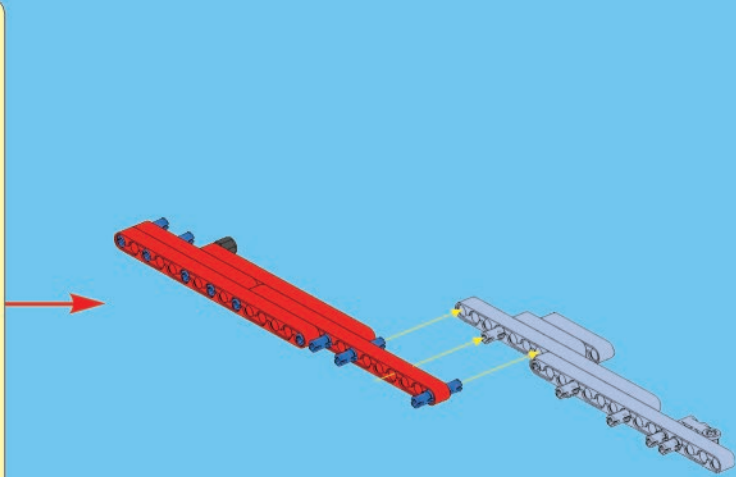
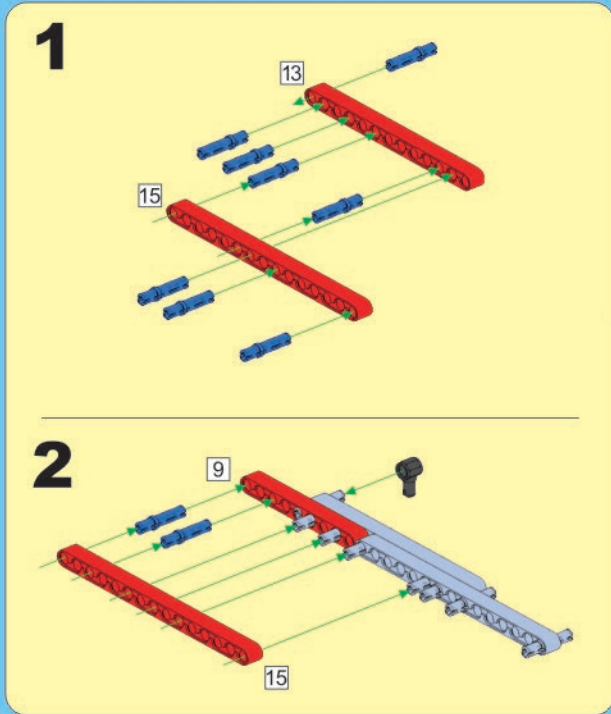


A15

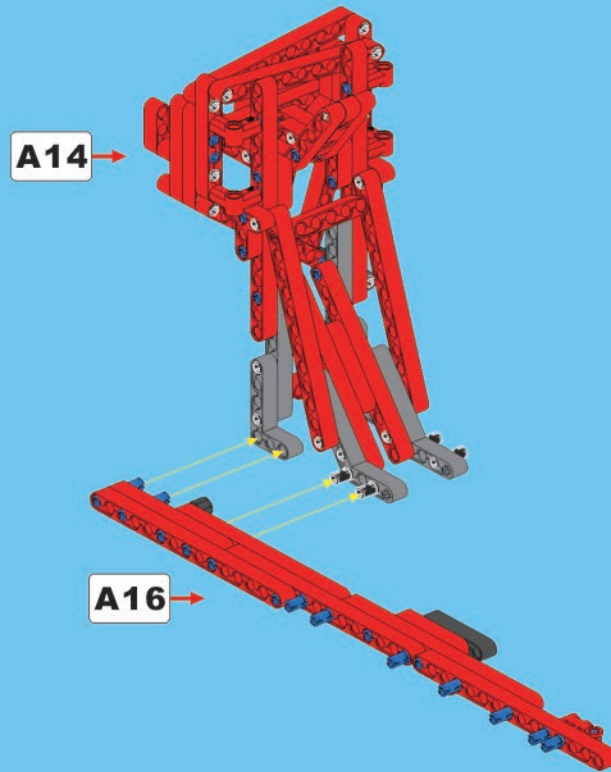


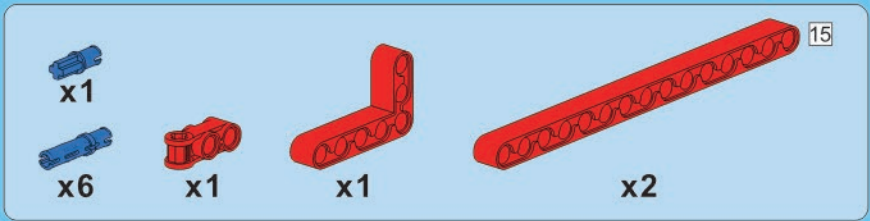


A16

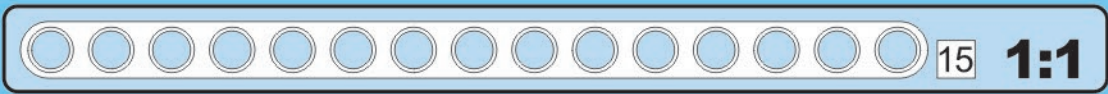
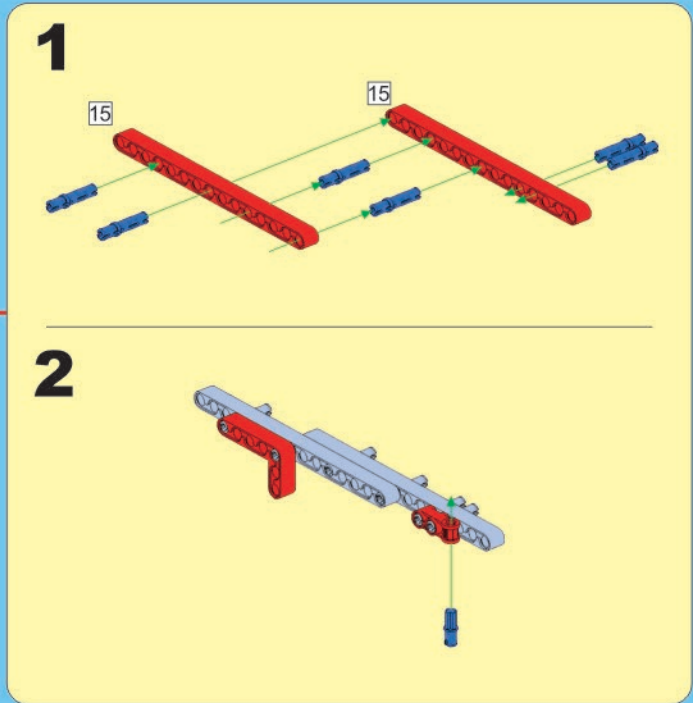
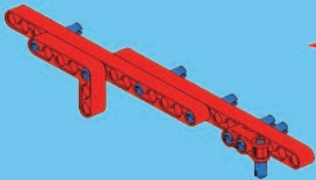


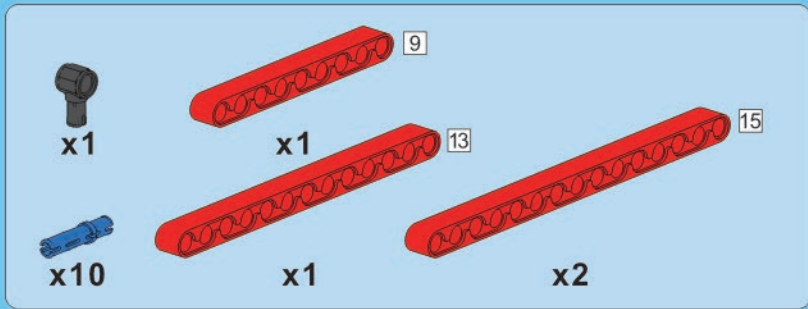
A17



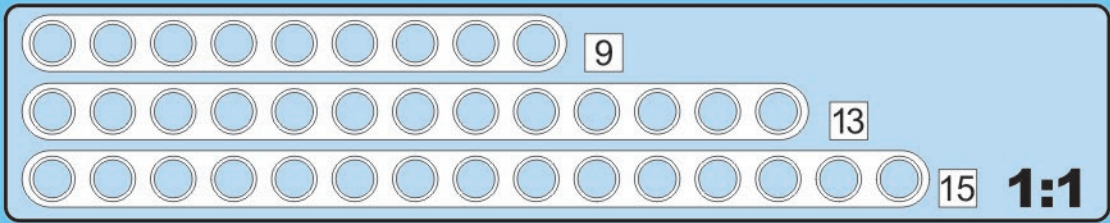
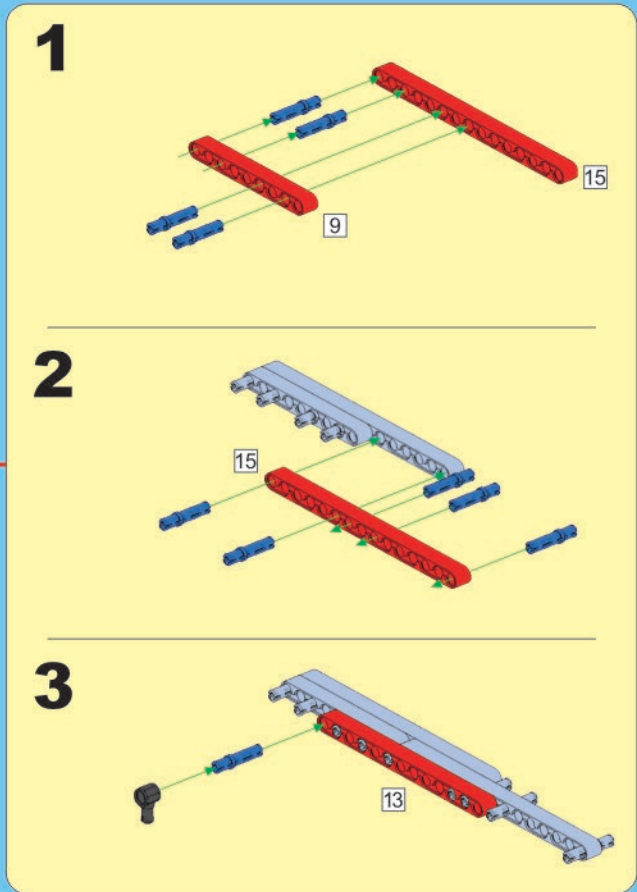
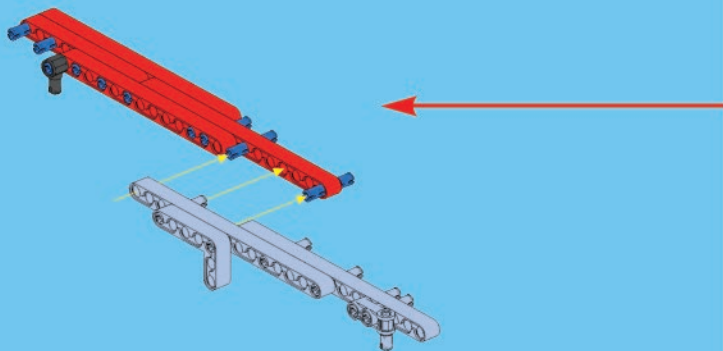


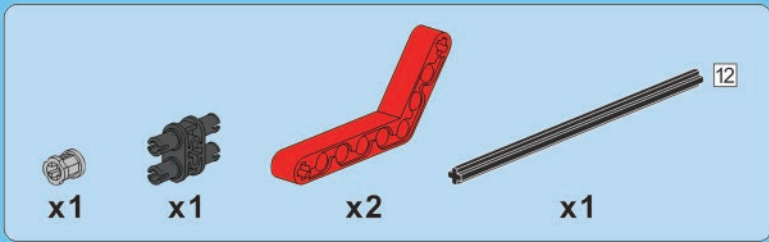
A18



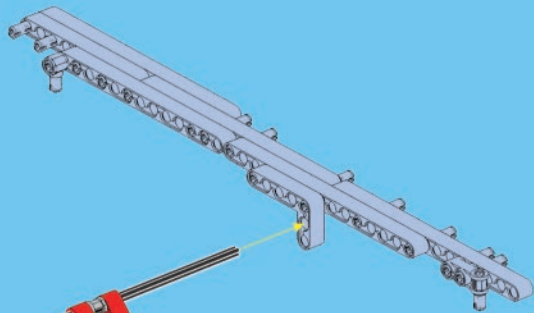
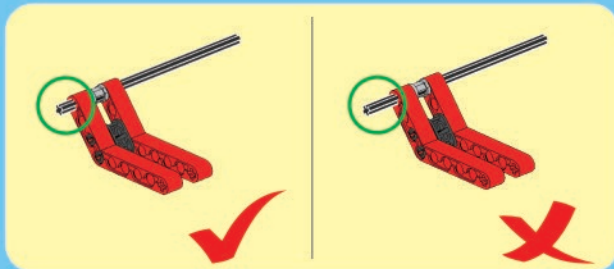


A19





A20

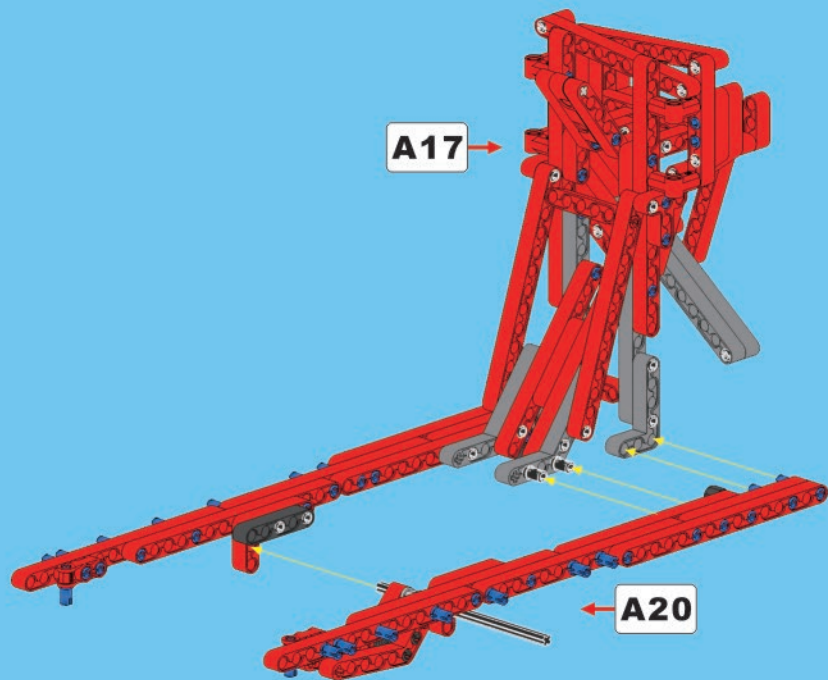


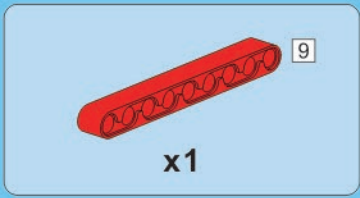
1

12 1:1

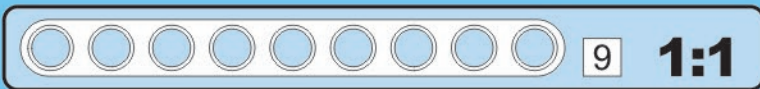
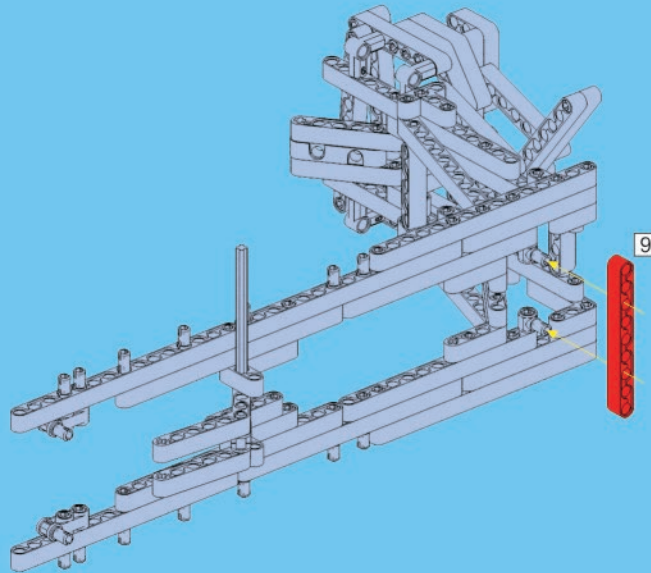
2

A21

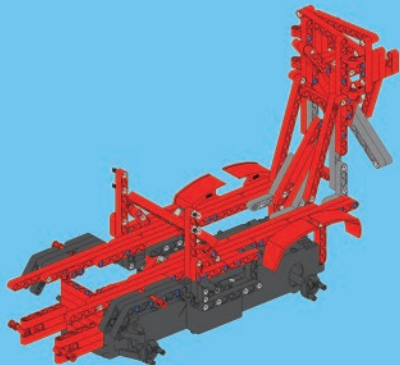




A22



B



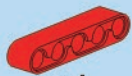
x1



x4



x1



x1

5

B1



1

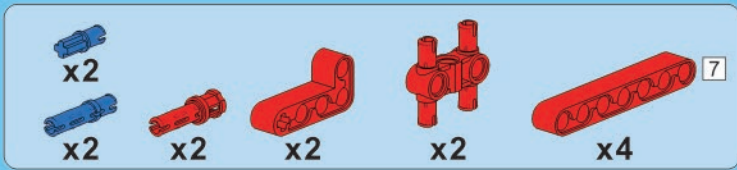


2

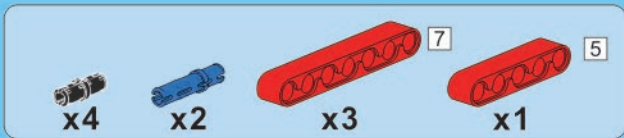
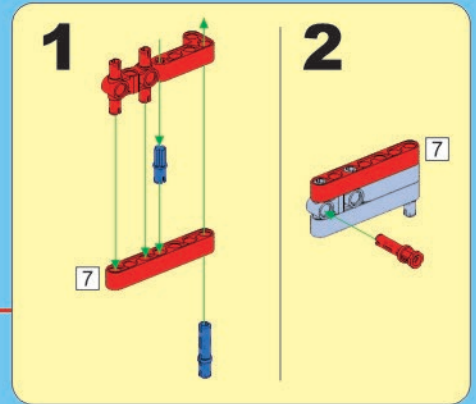
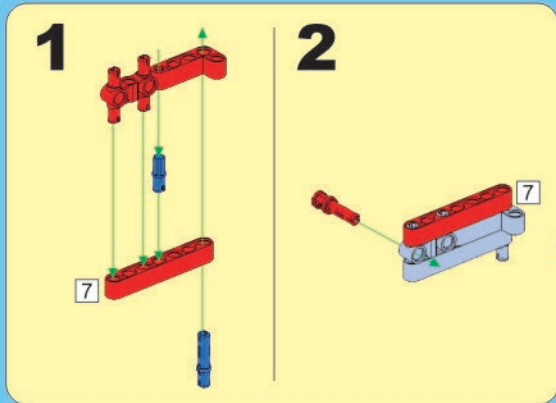


5

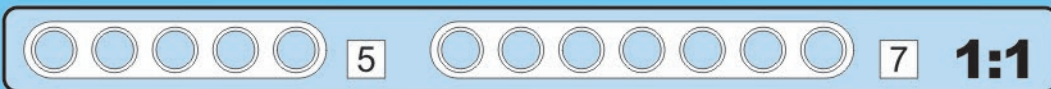
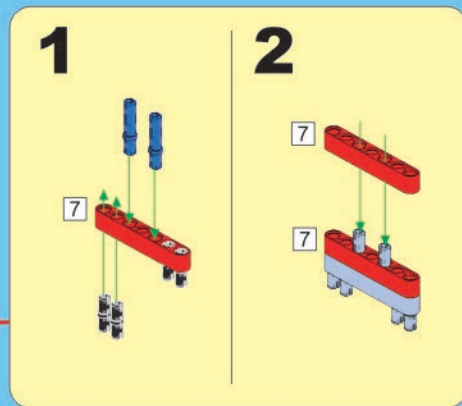
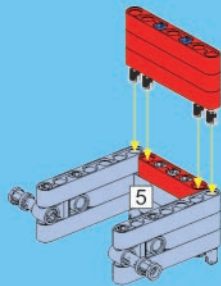
1:1

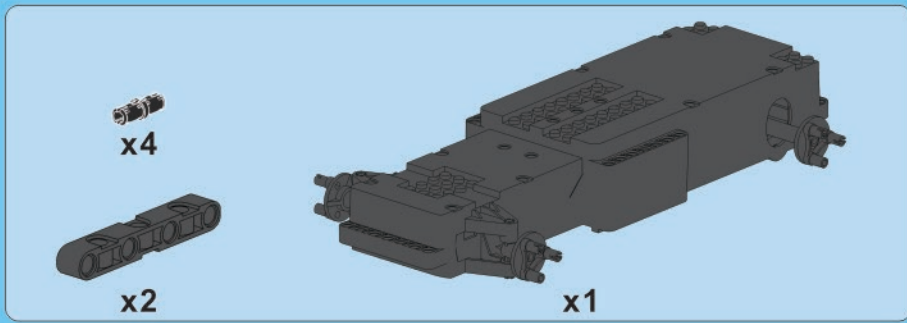


B2

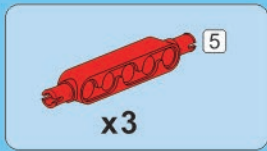
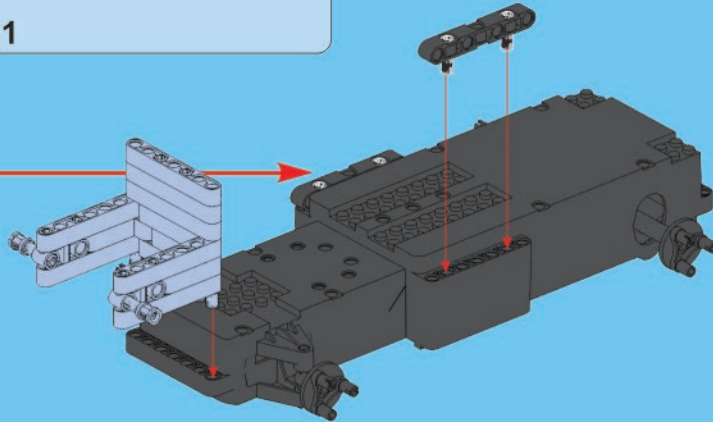


B3

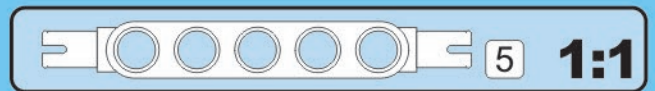
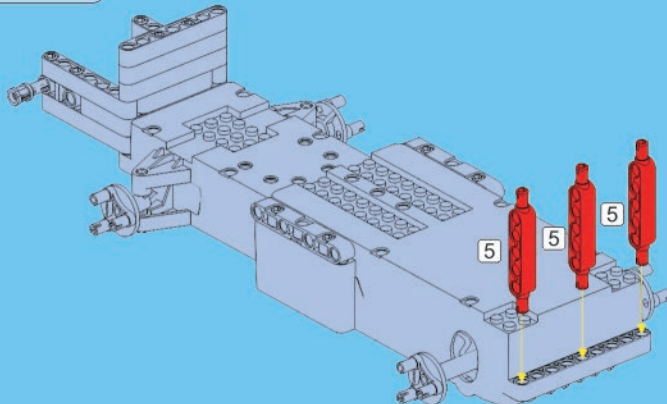




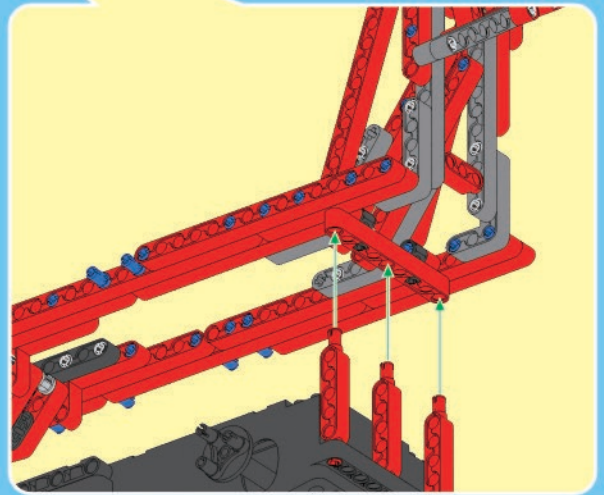
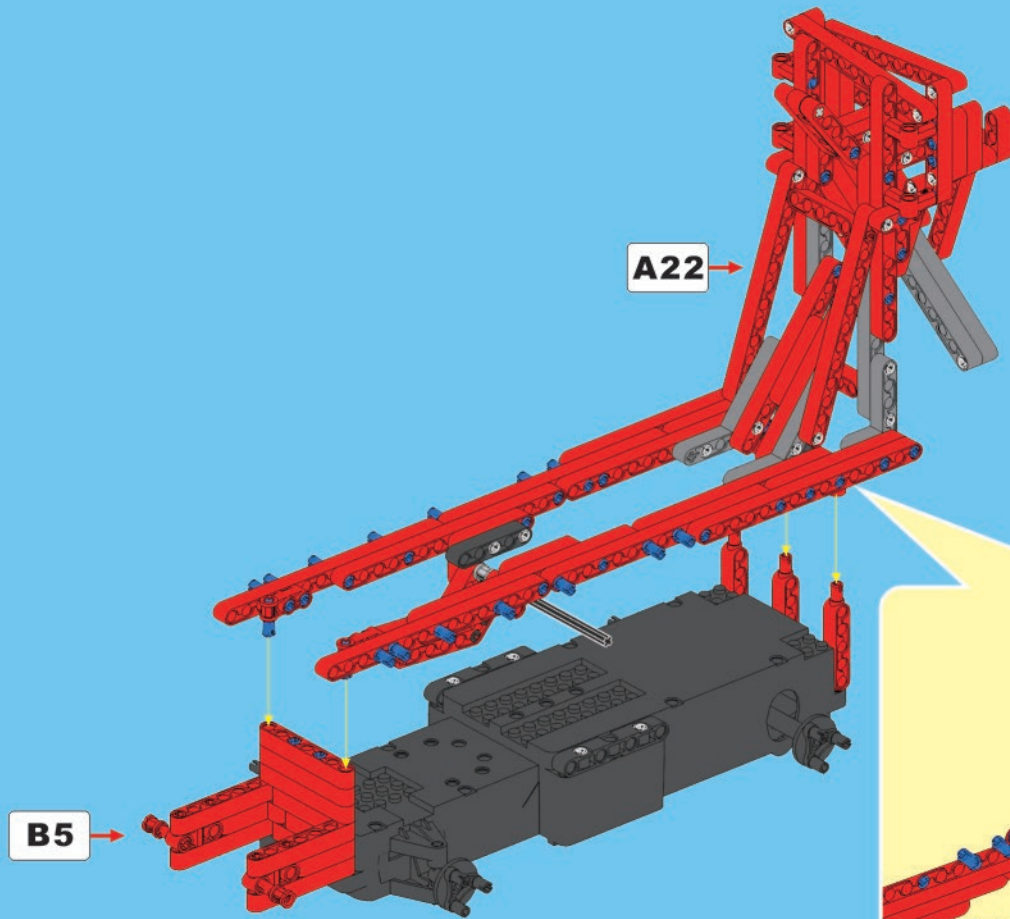
B4

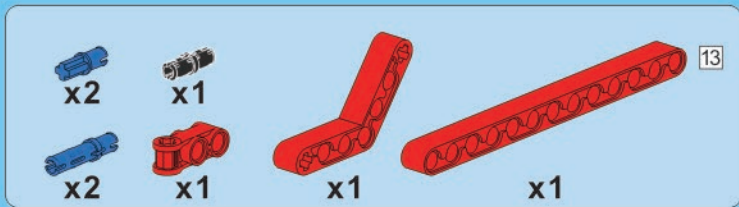


B5

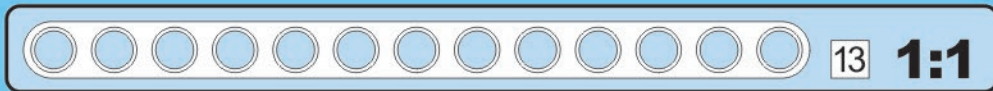
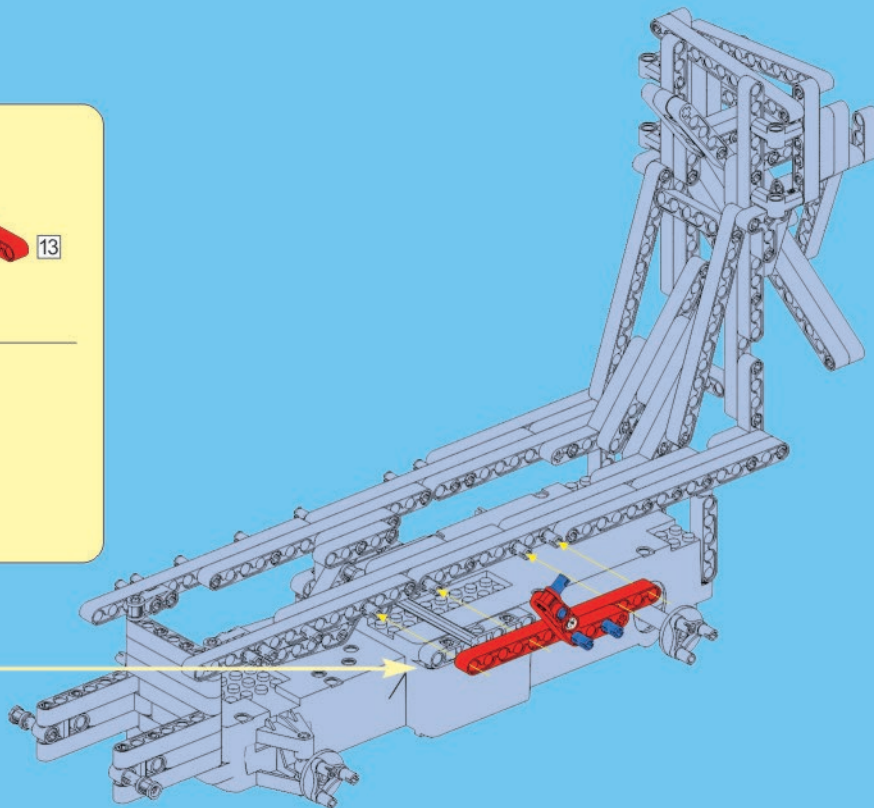
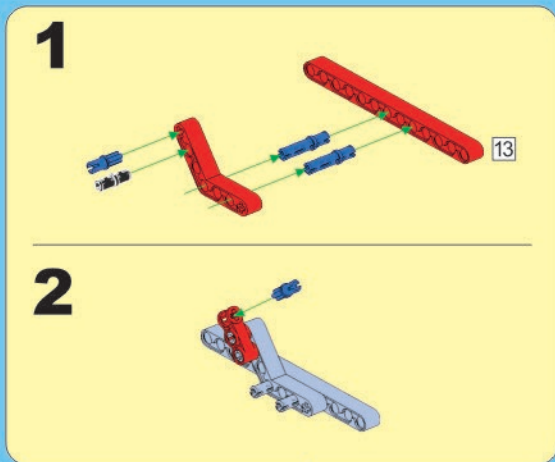


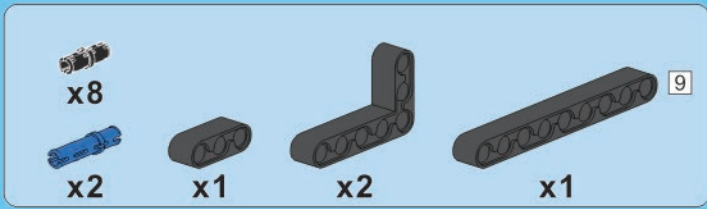
B6



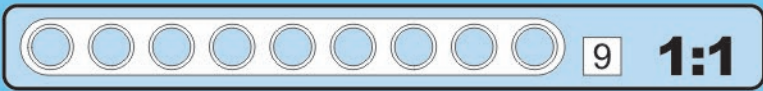
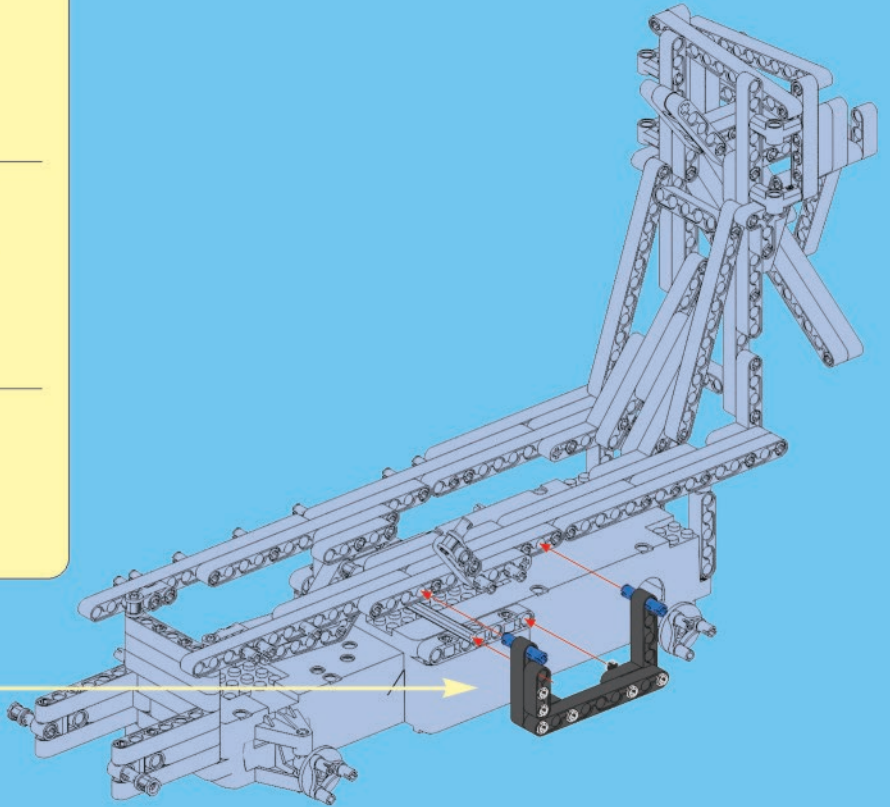
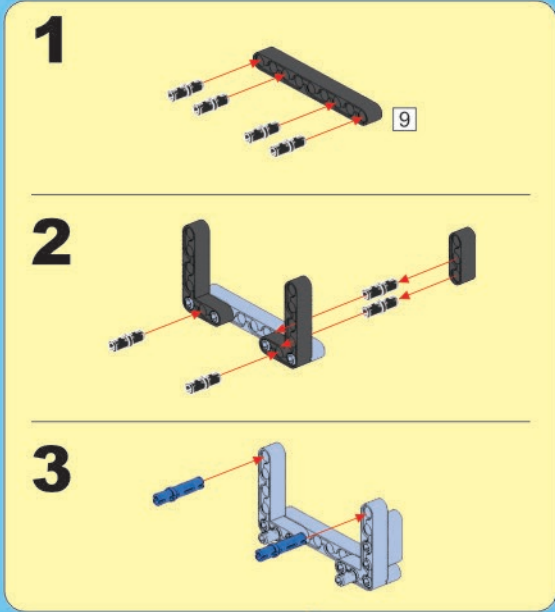


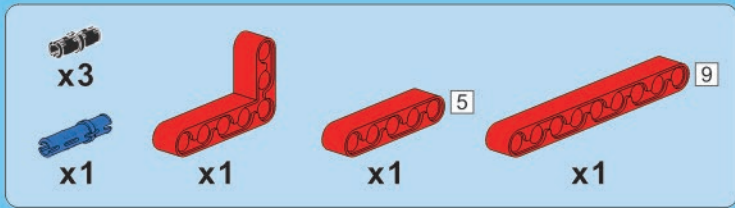
B7



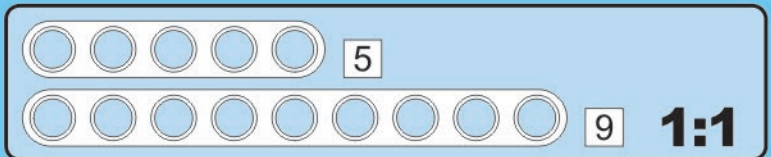
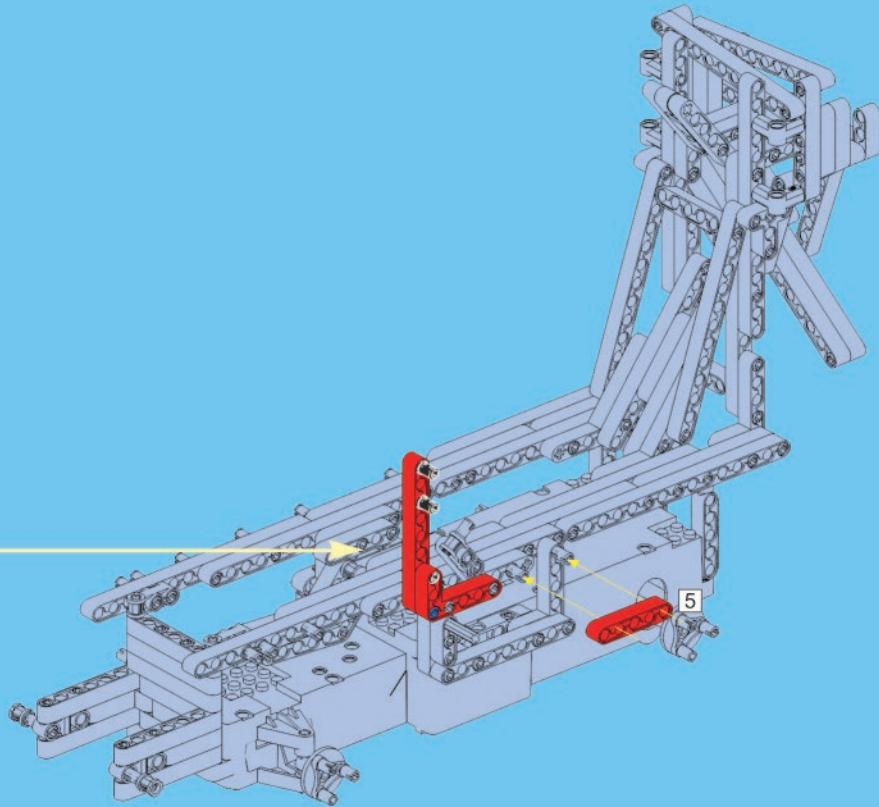
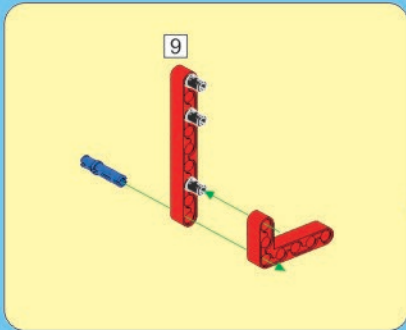


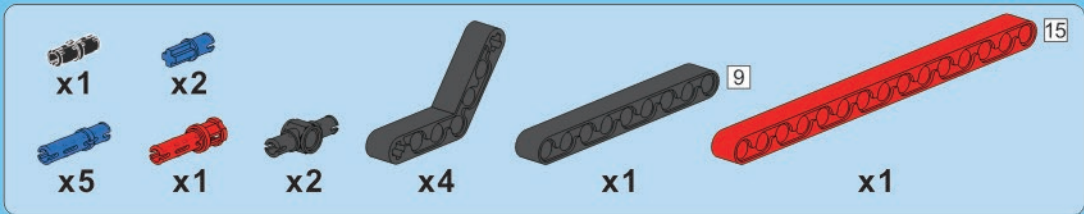
B8



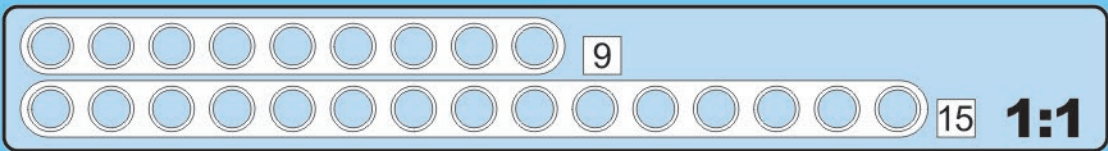
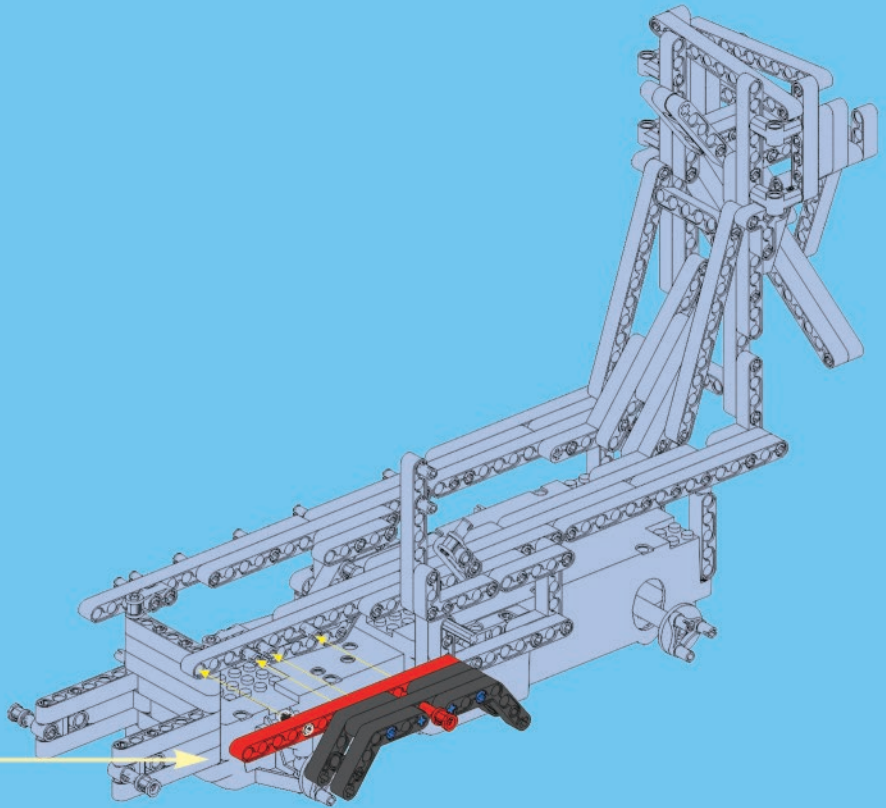
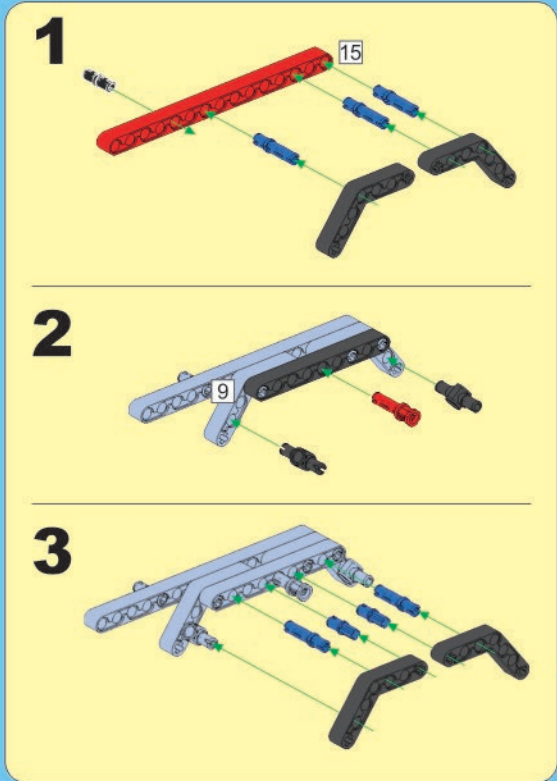


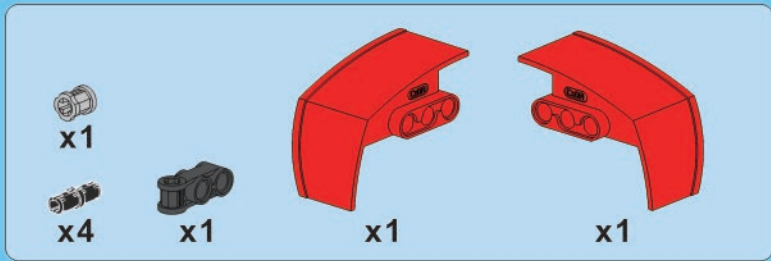
B9



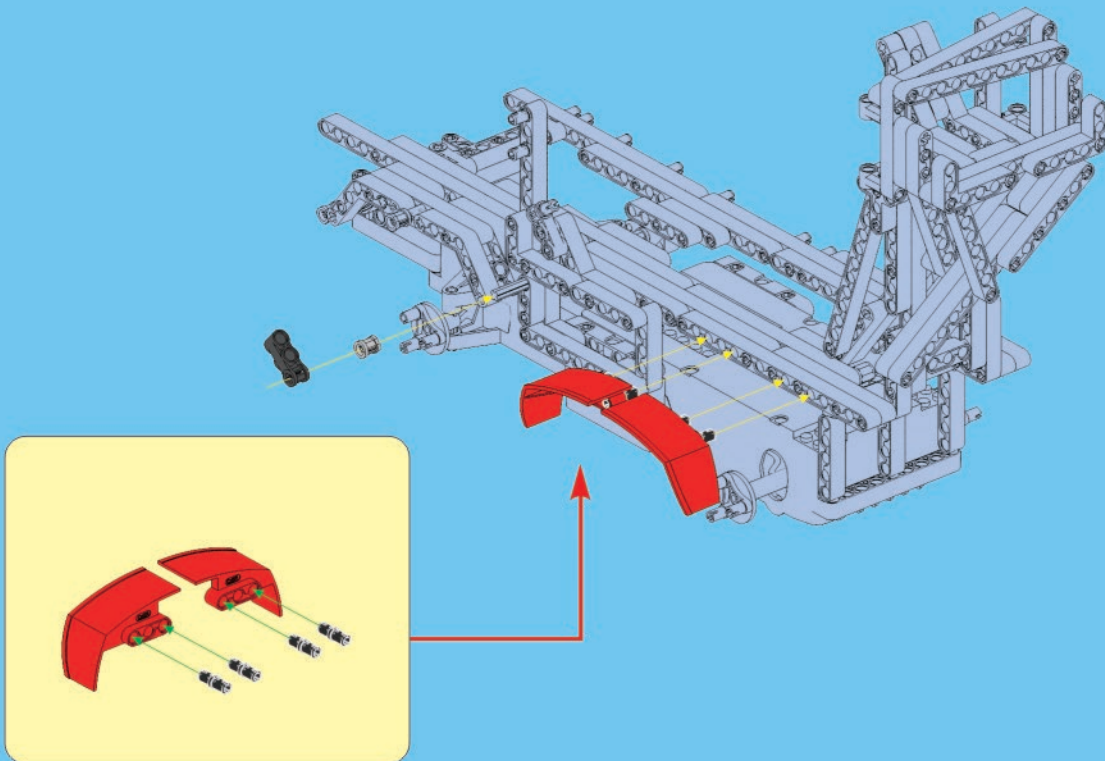


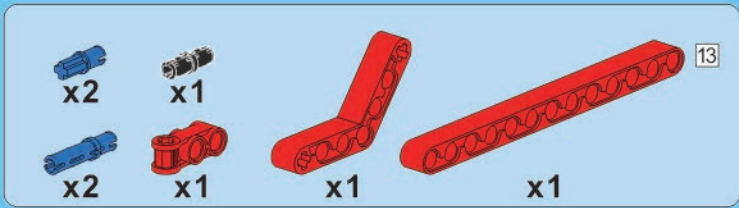
B10



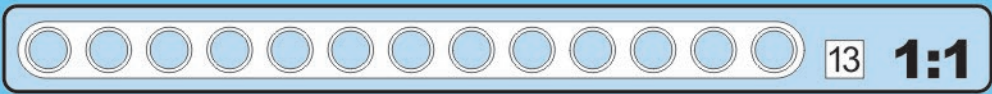
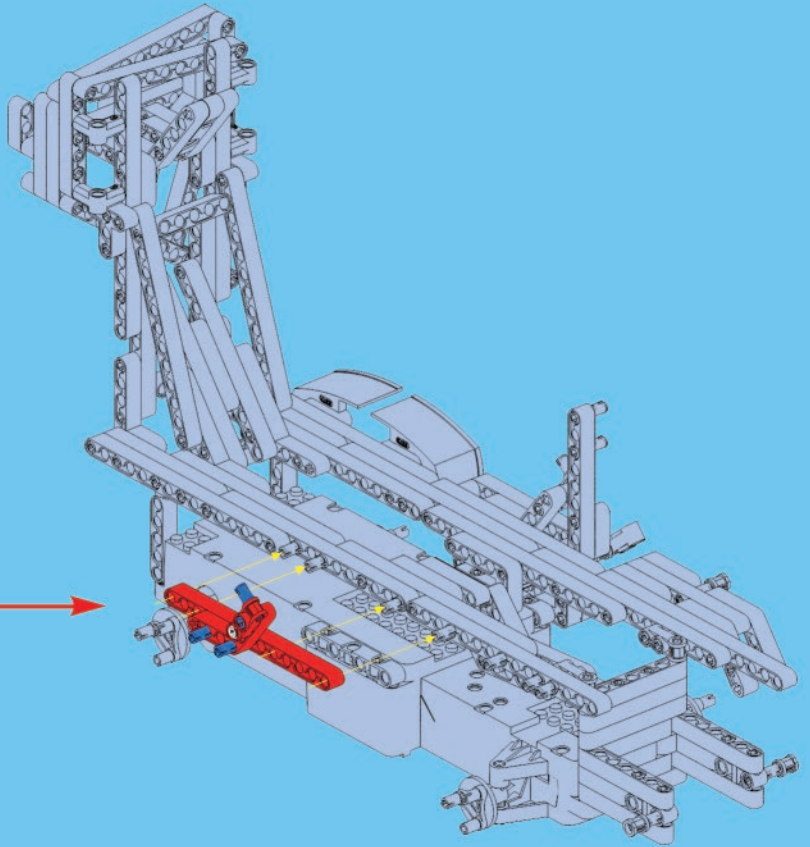
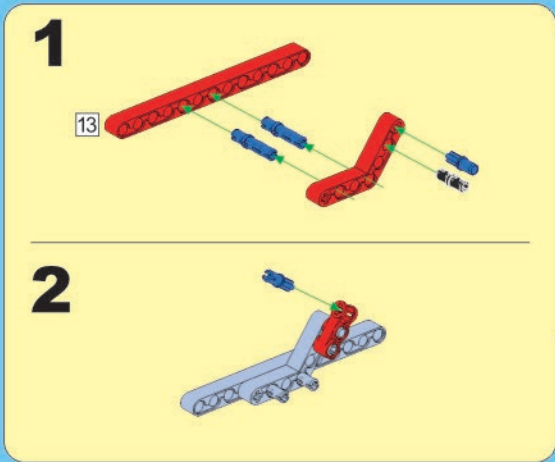


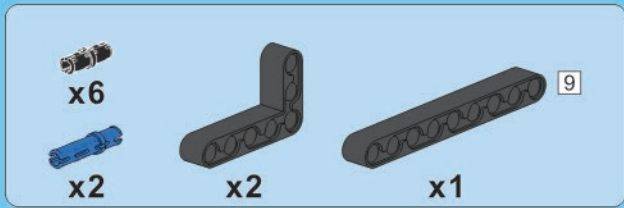
B11



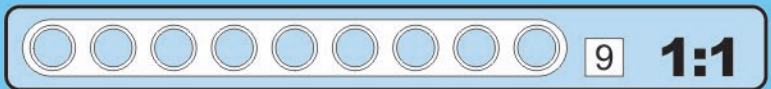
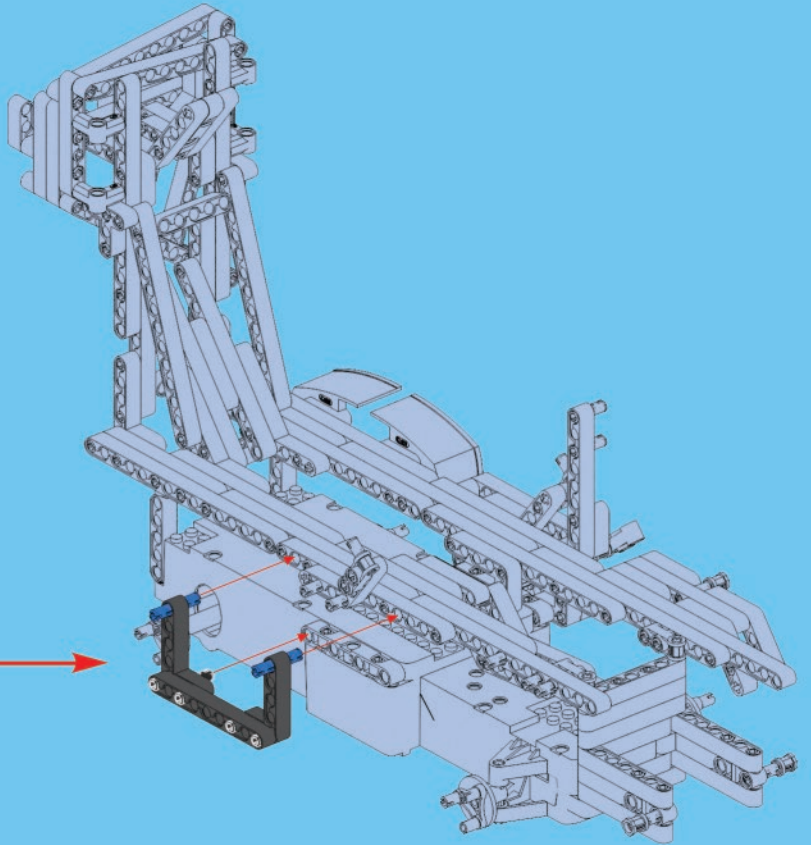
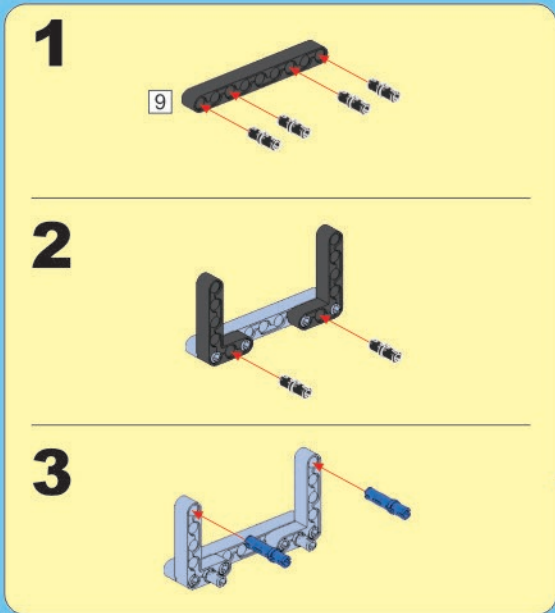


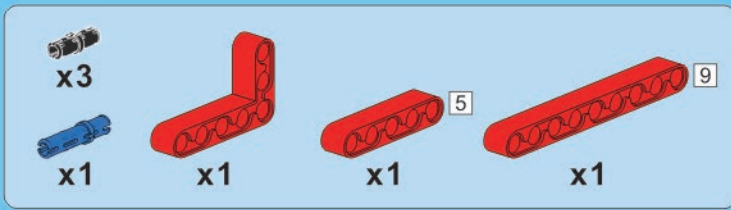
B12



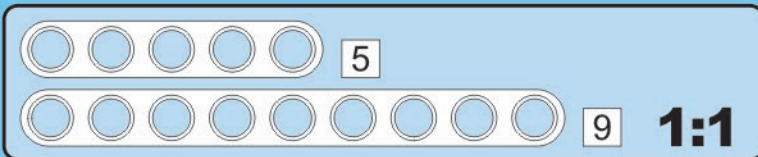
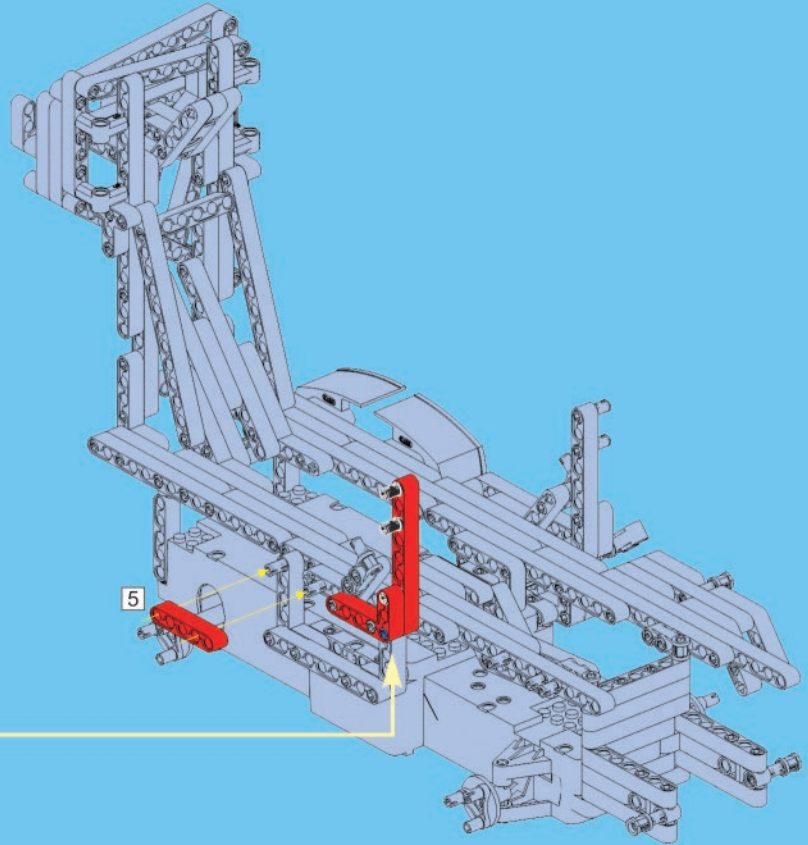
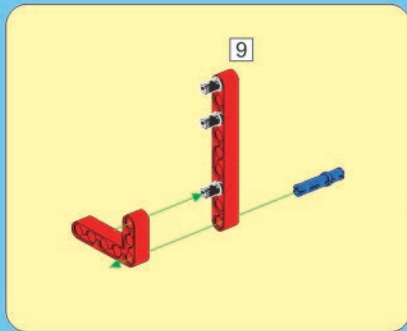


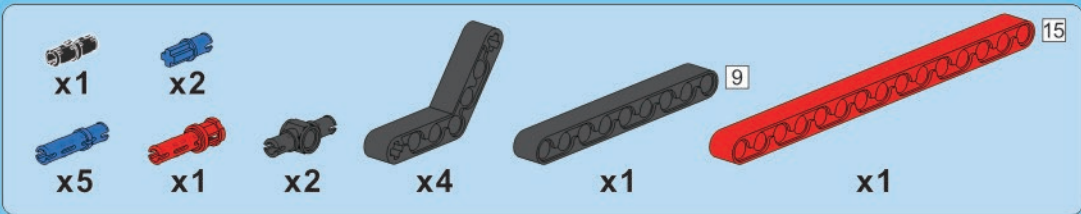
B13





B14



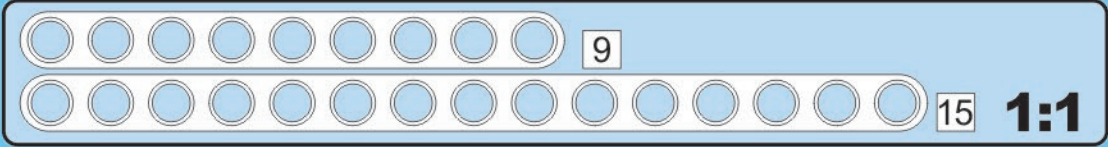
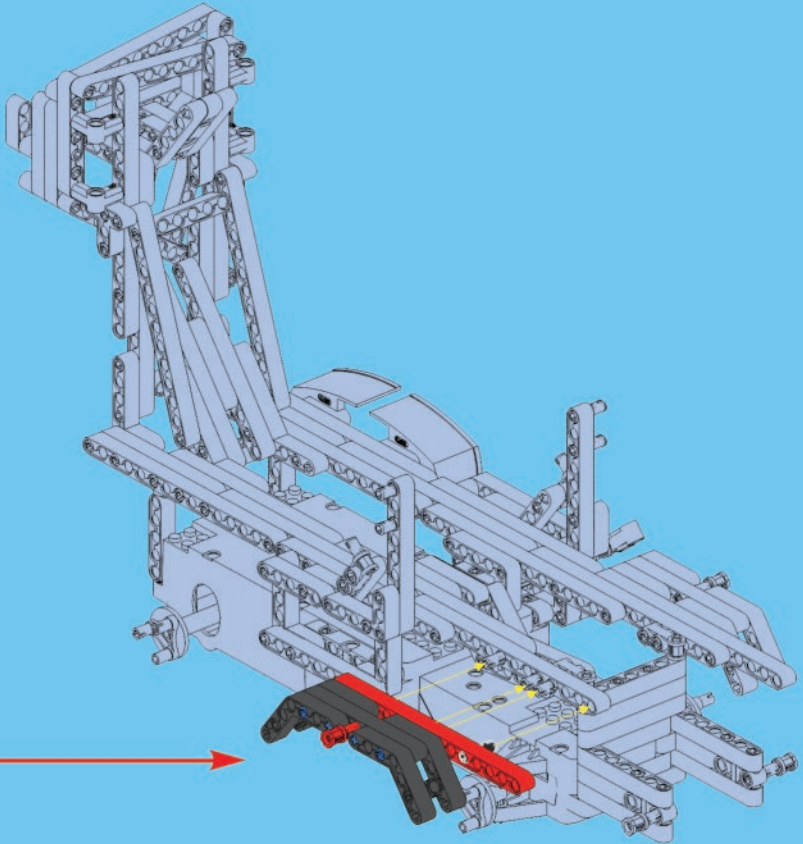


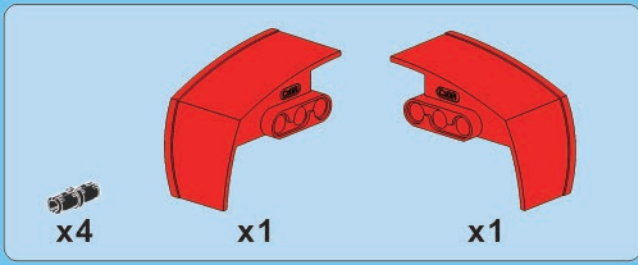
B15

1

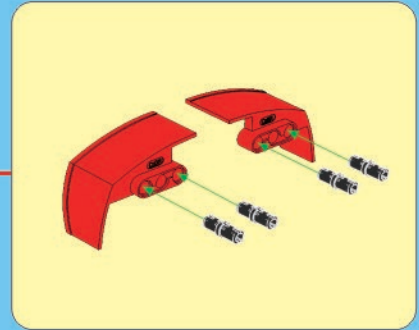
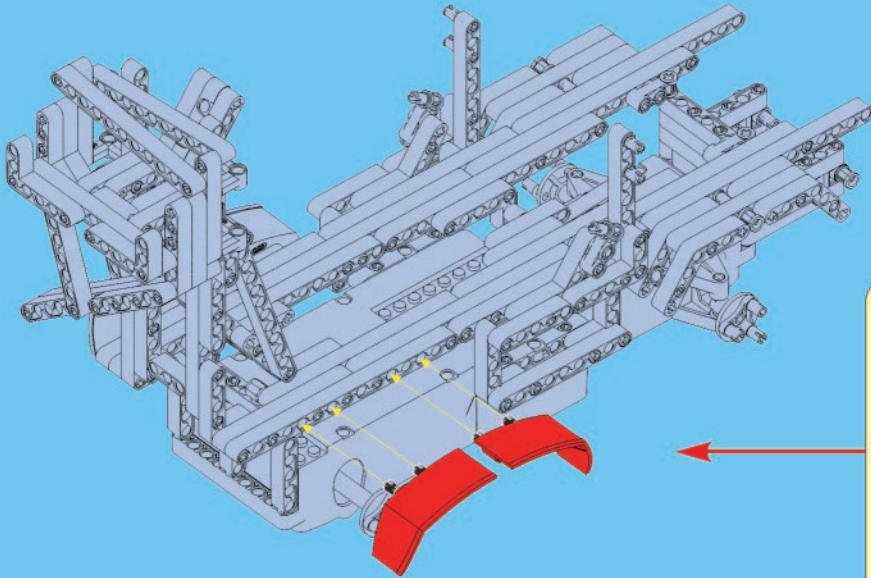
2

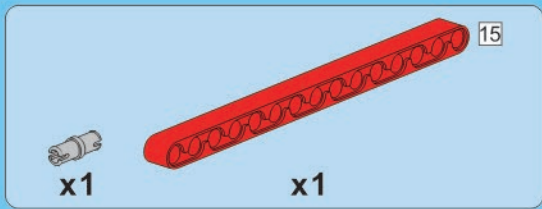
3



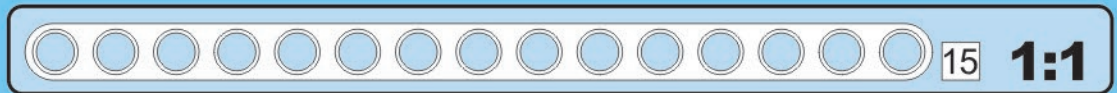
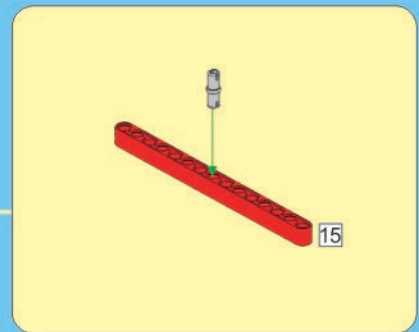
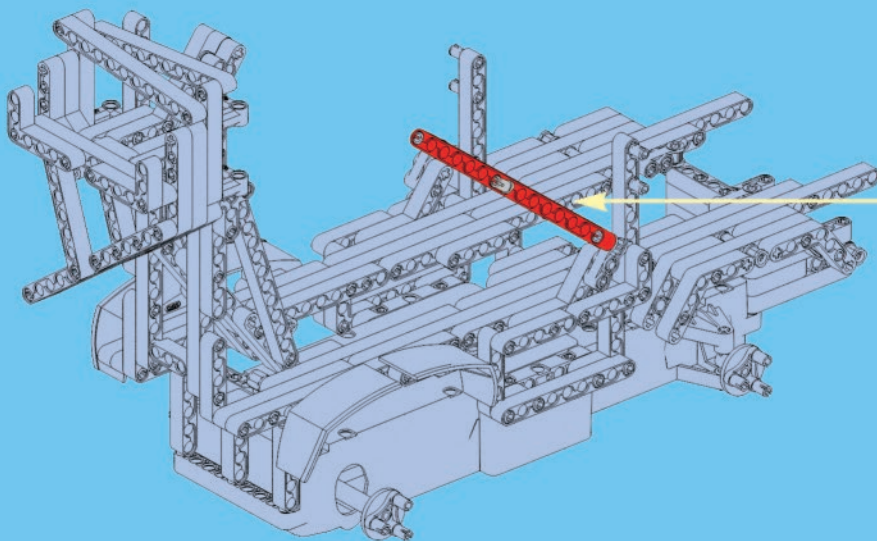


B16

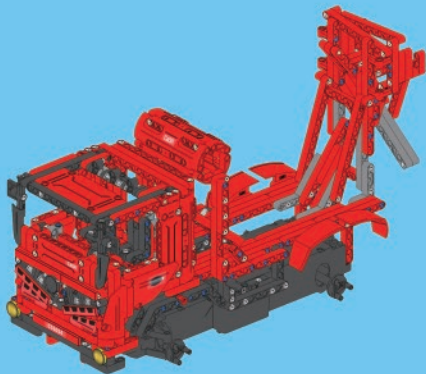




B17



C



x5



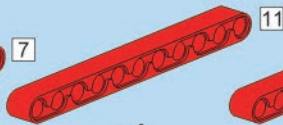
x2



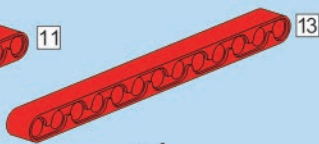
x8



x2

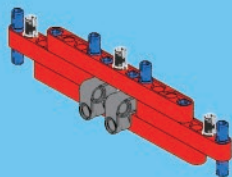


x1



x1

C1



7



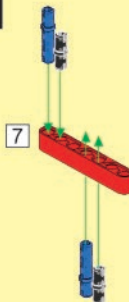
11



13

1:1

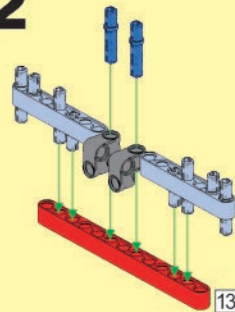
1



7

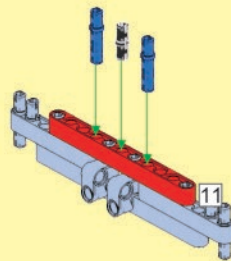
x2

2

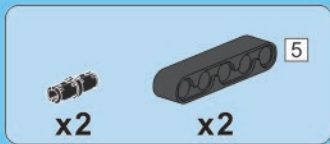


13

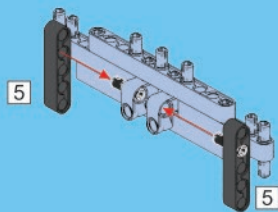
3



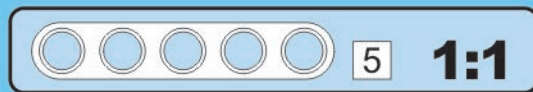
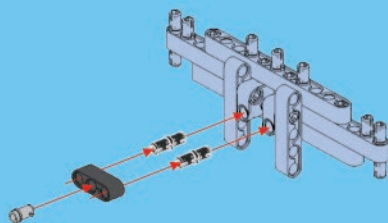
11

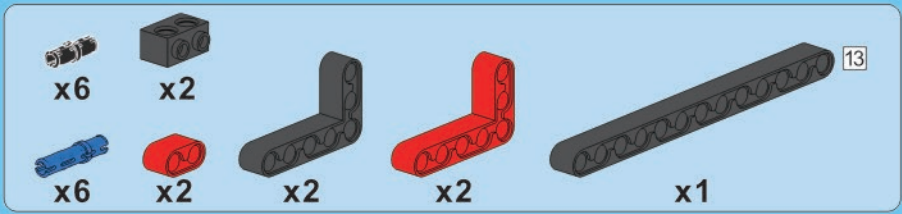


C2

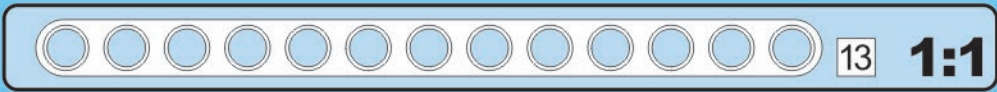
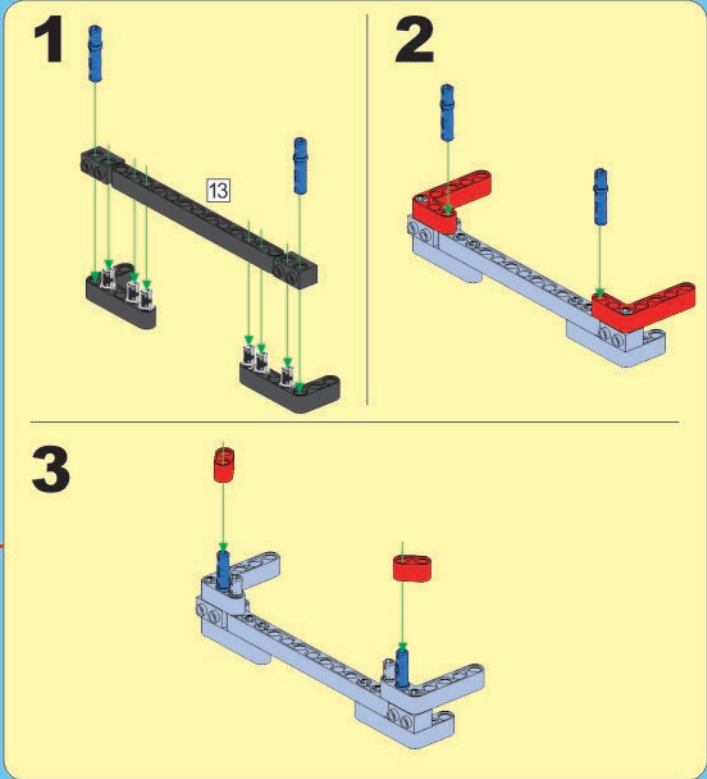
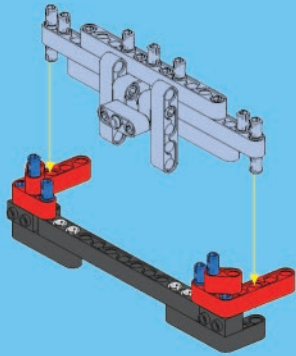


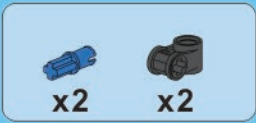
C3



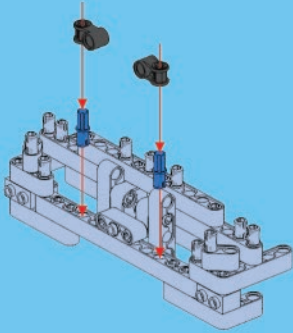


C4

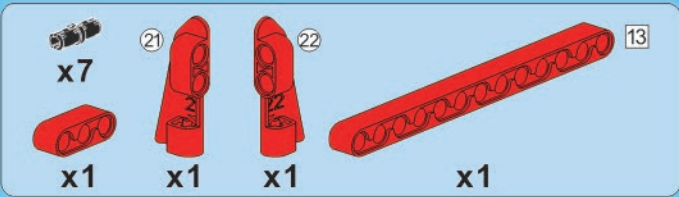
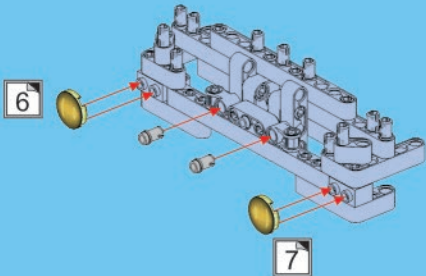




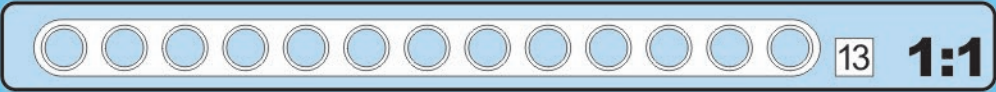
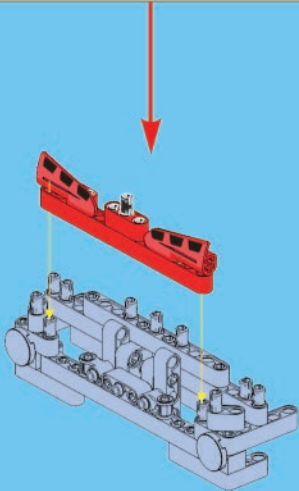
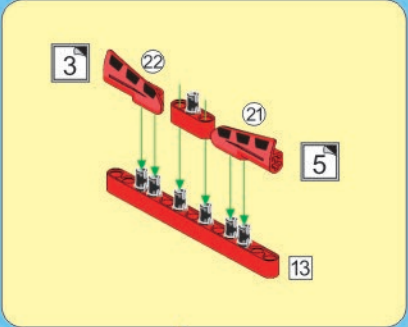
C5

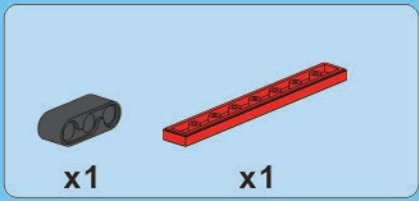


C6

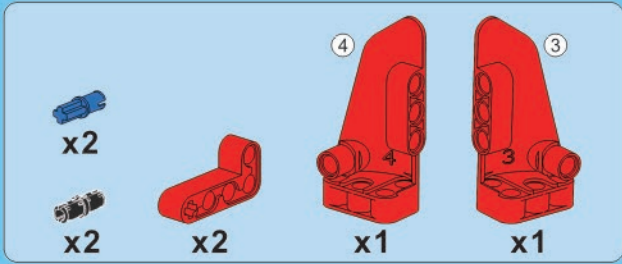
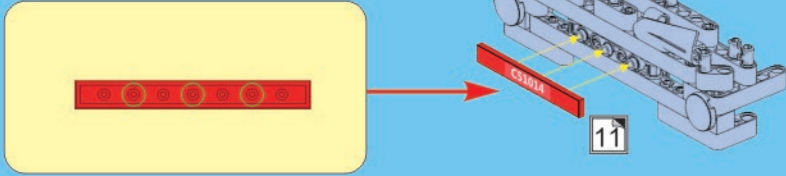


C7

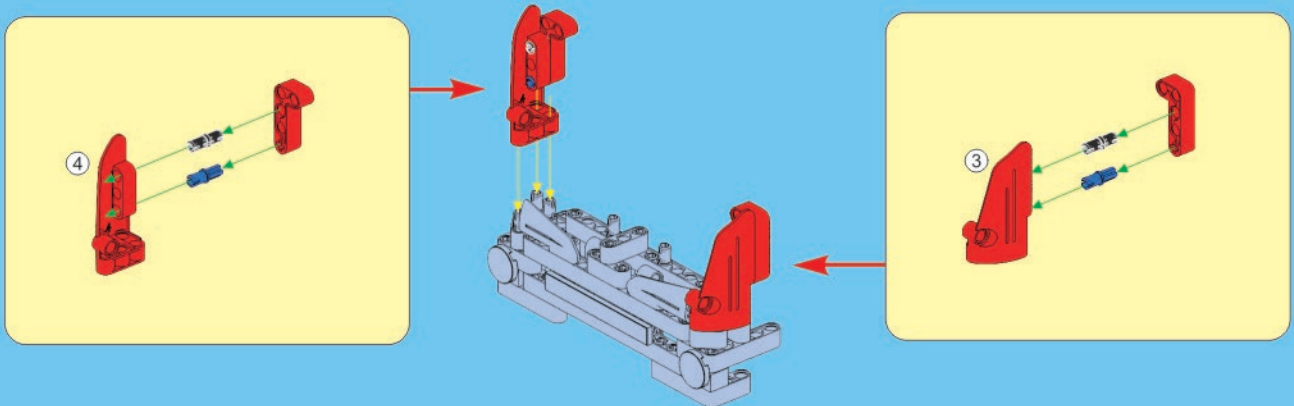


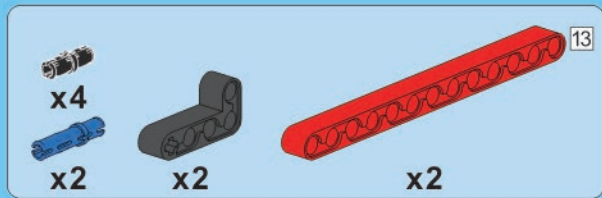


C8

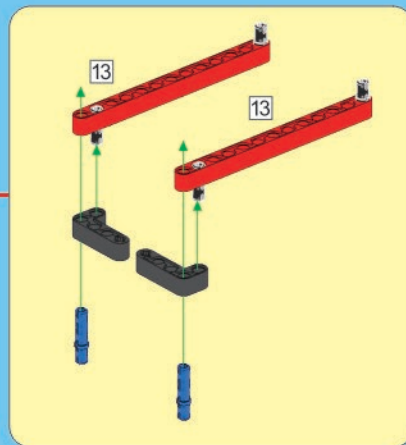
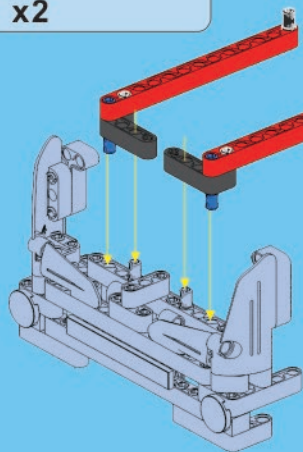


C9

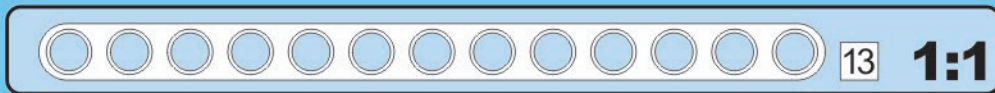
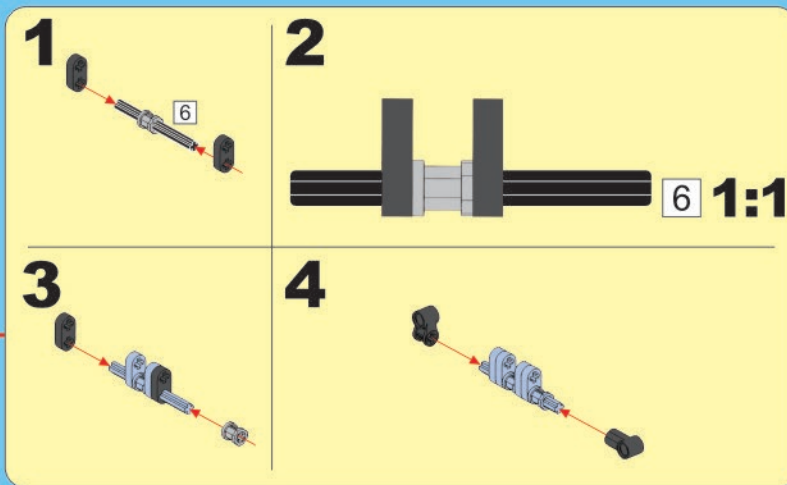


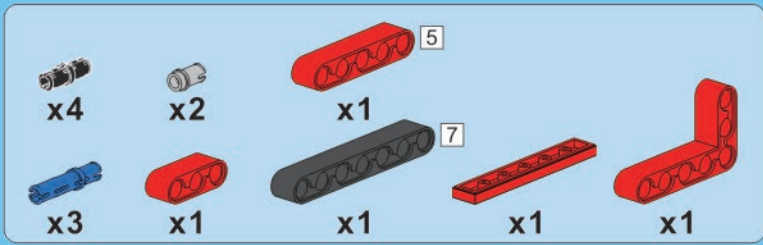


C10

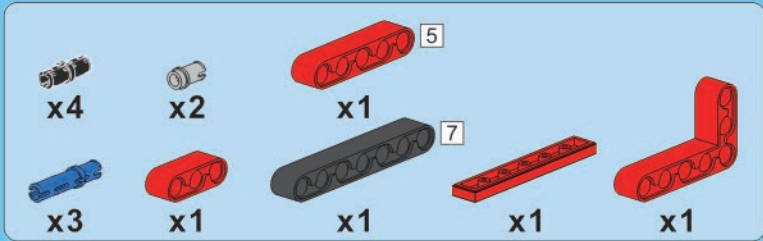
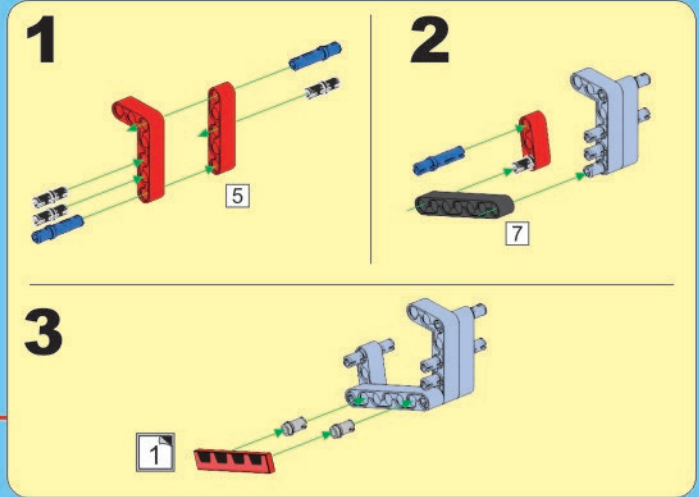
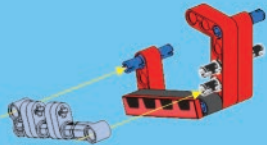


C11

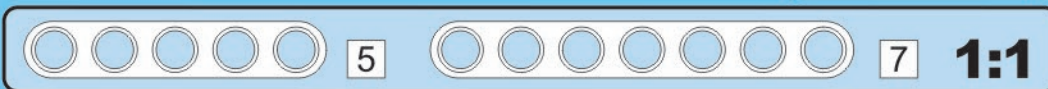
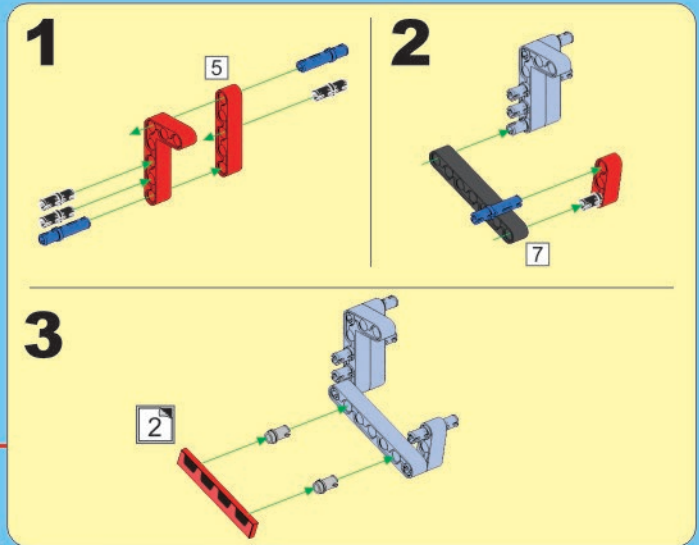
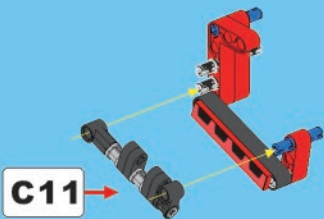


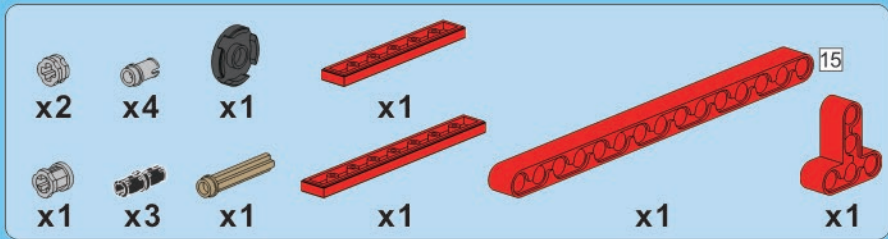


C12

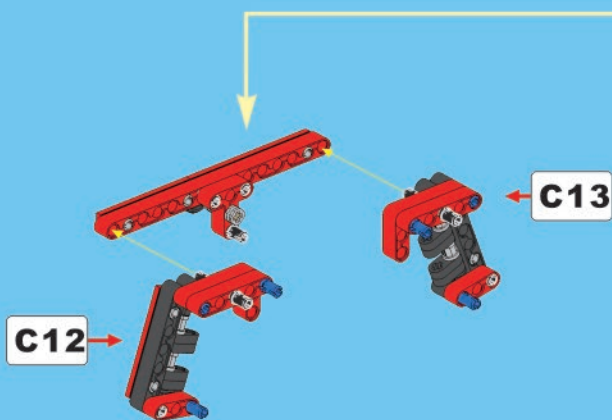


C13

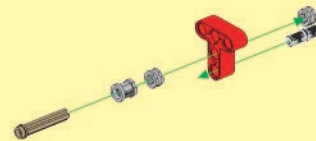




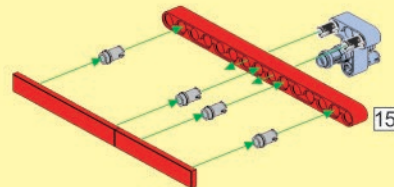
C14



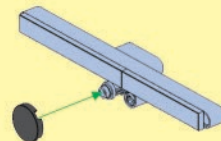
1



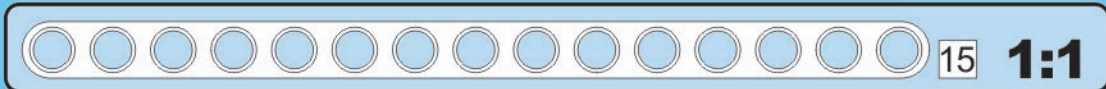
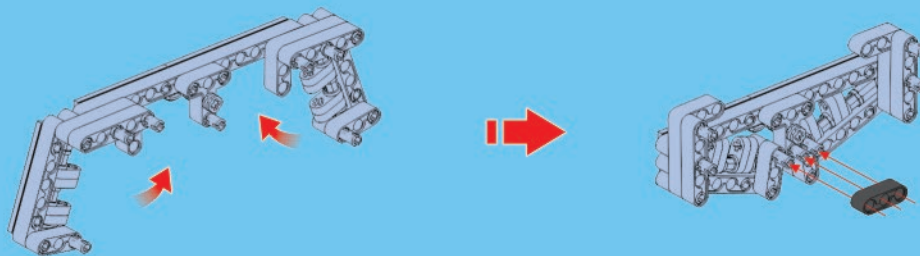
2

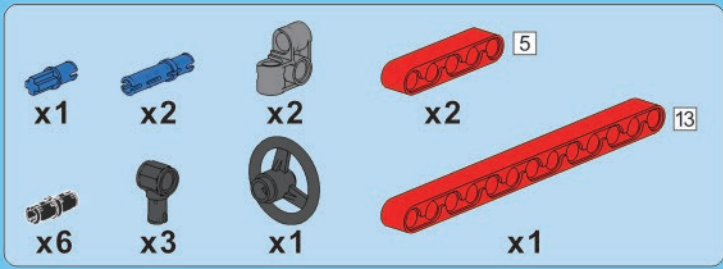


3

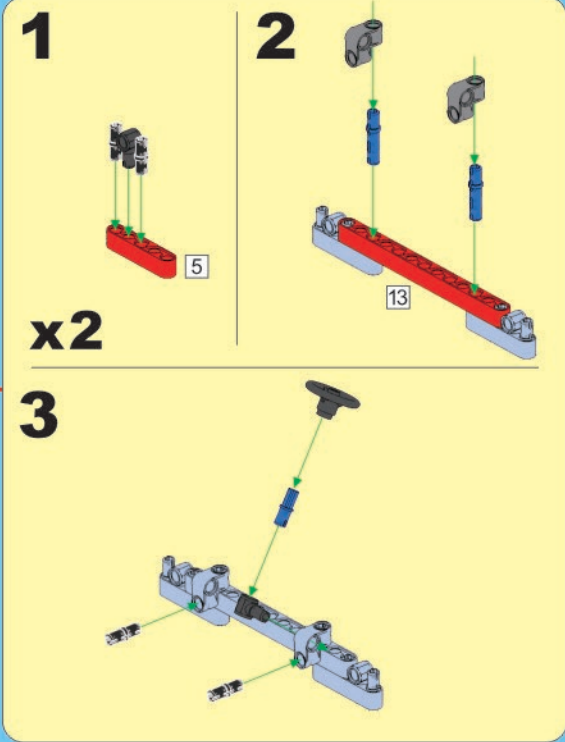
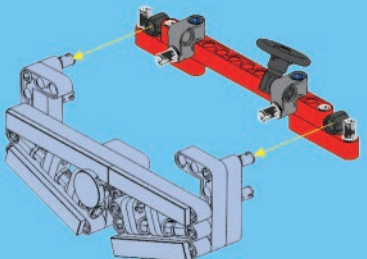


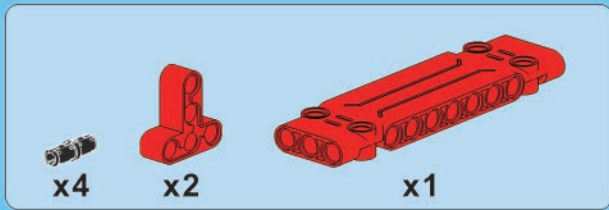
C15



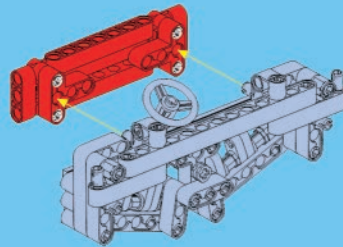
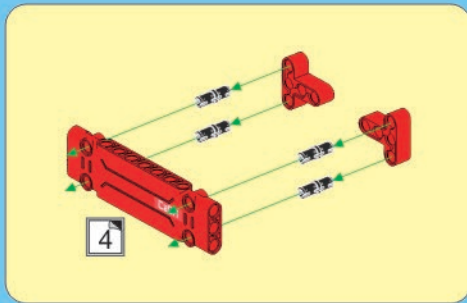


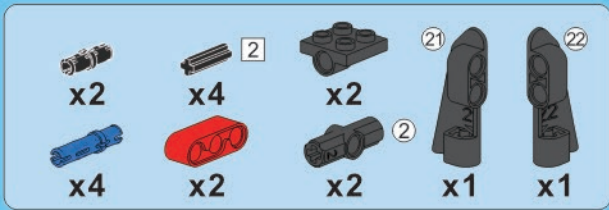
C16



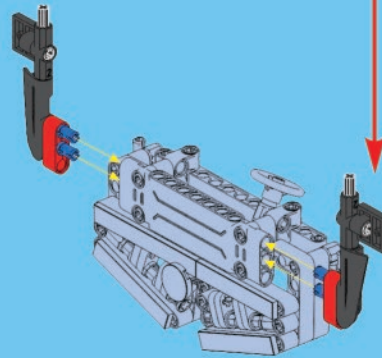
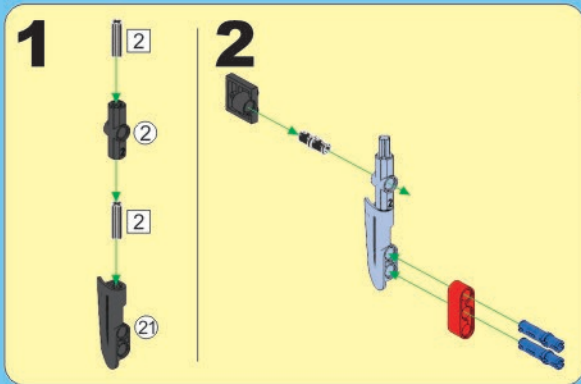
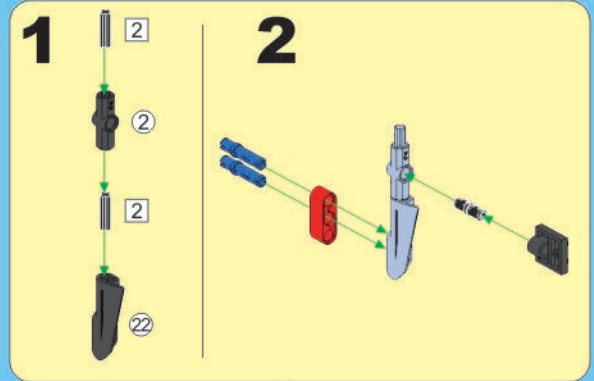


C17

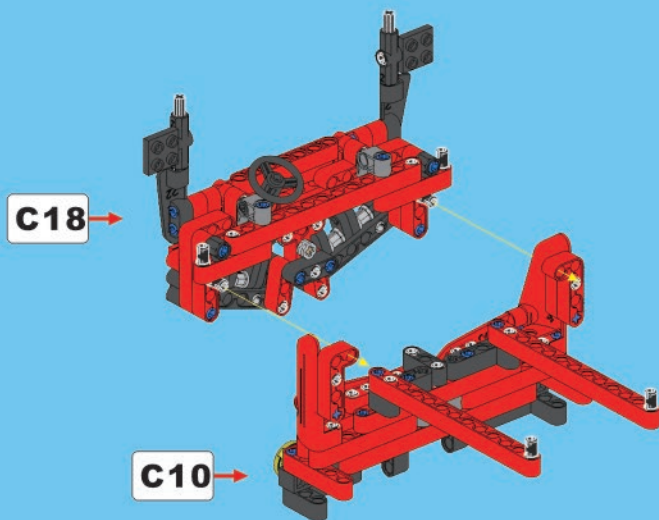


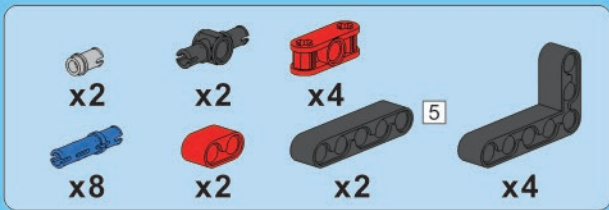


C18

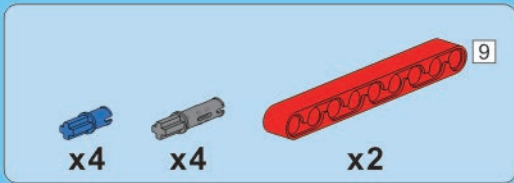
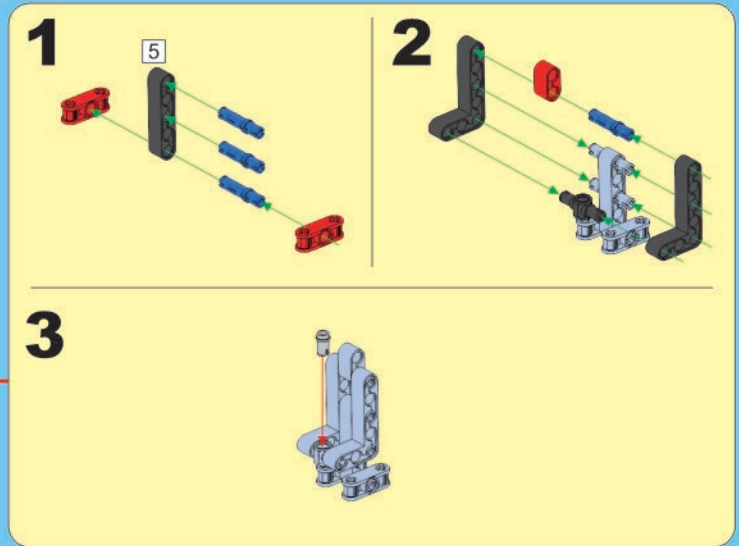
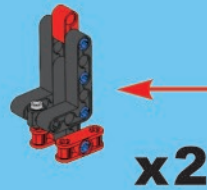


C19

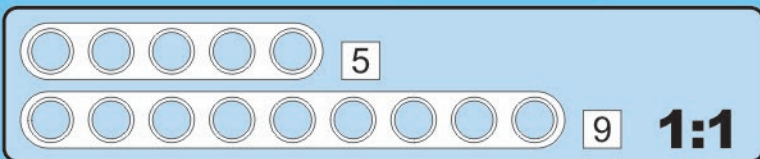
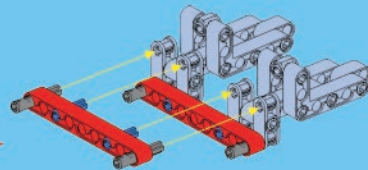
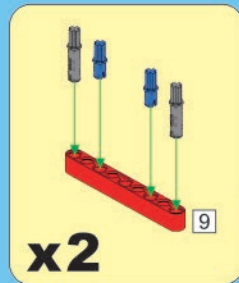




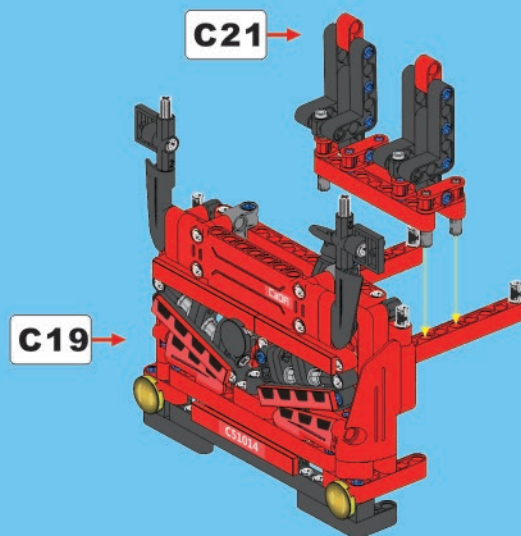
C20

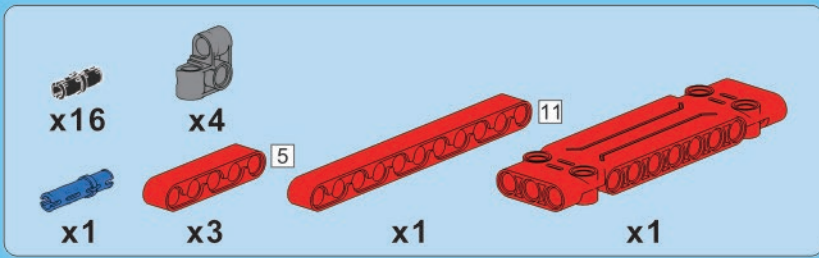


C21

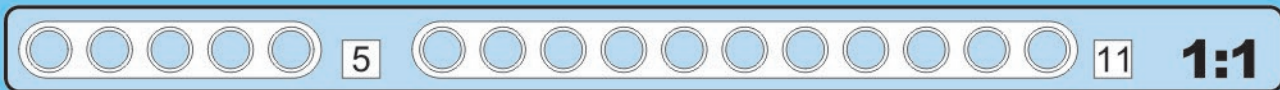
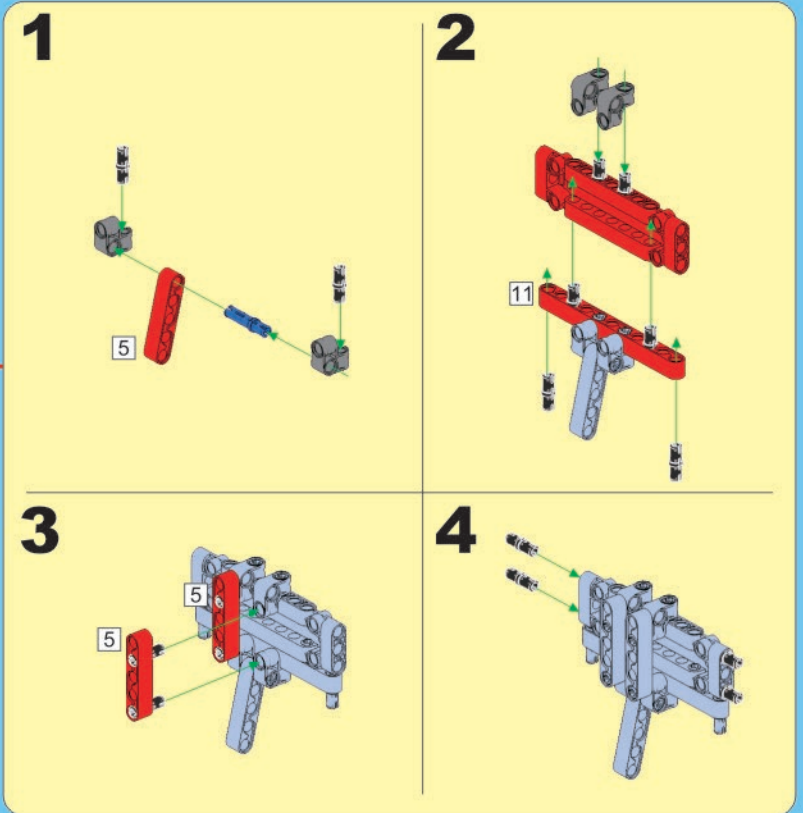
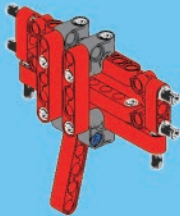


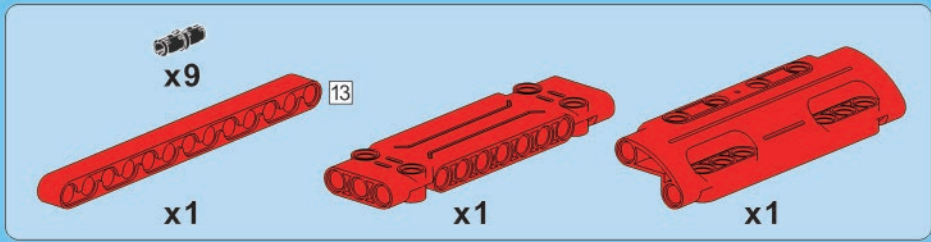
C22



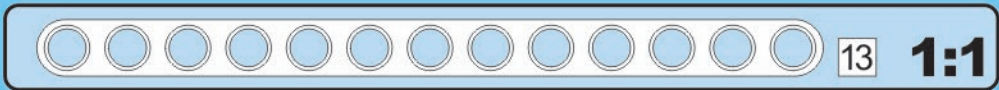
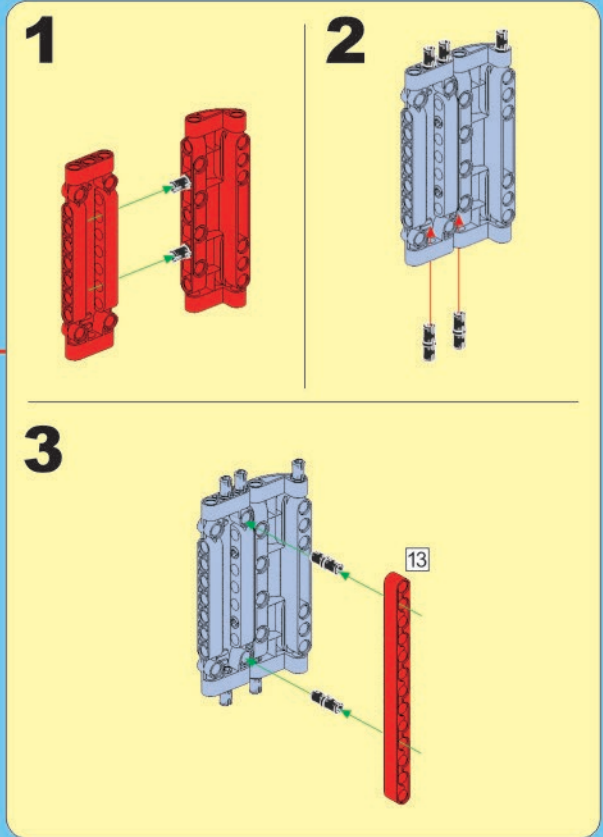
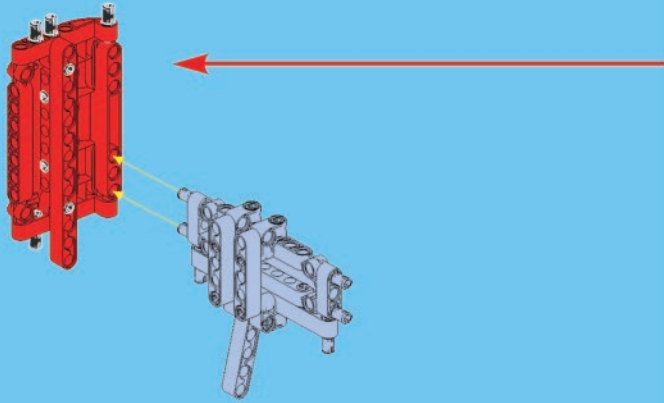


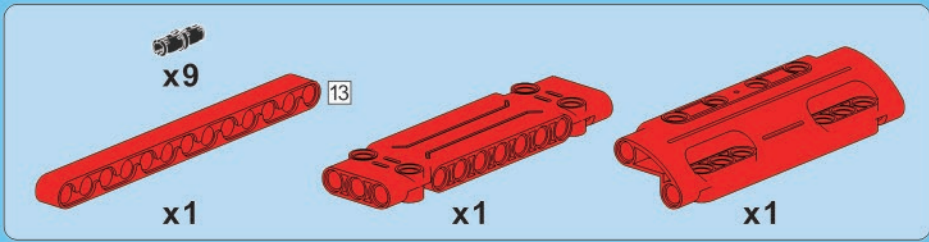
C23



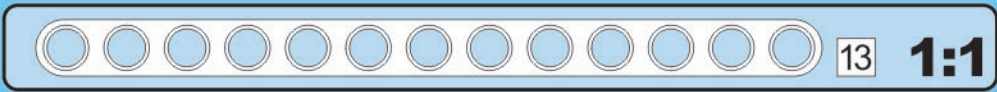
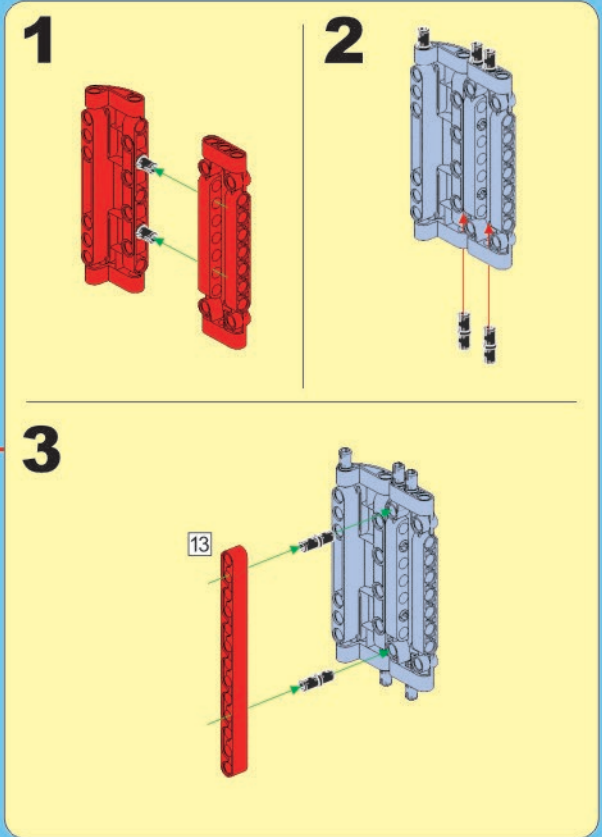
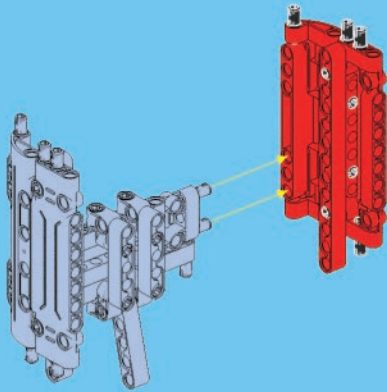


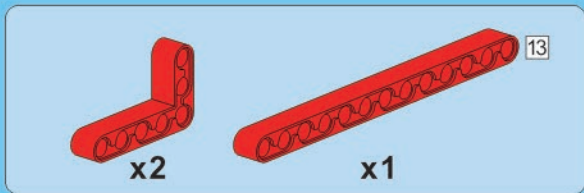
C24



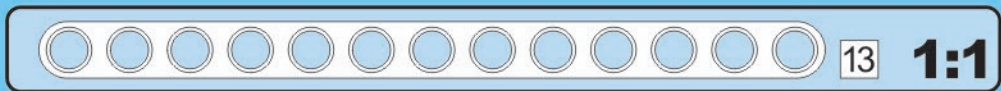
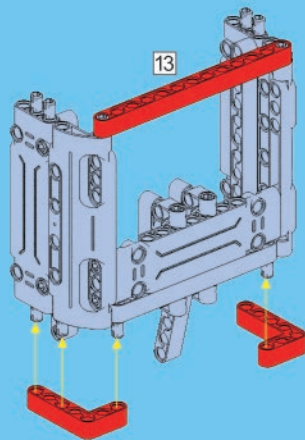


C25

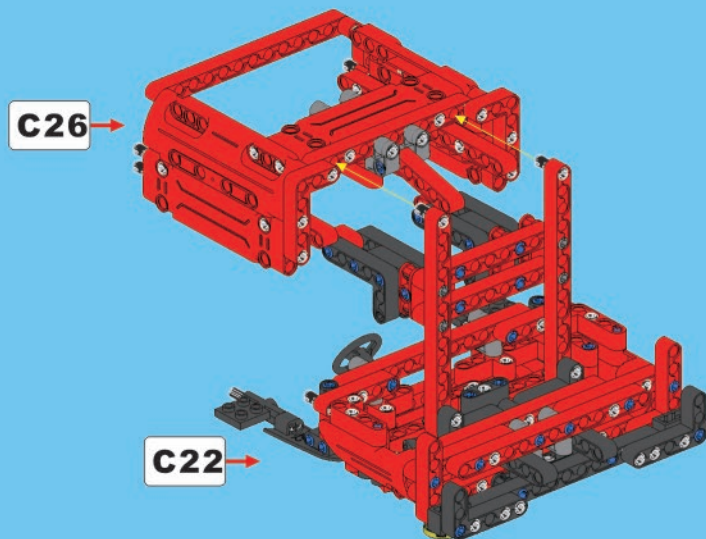


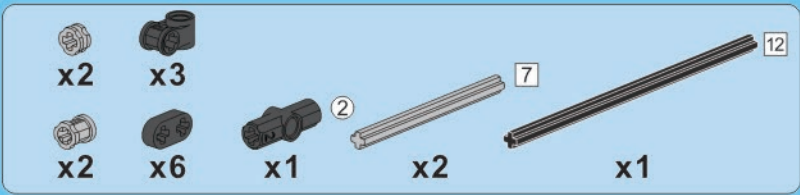


C26

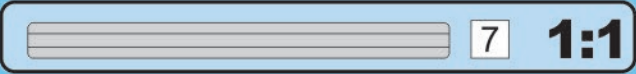
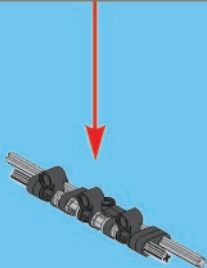
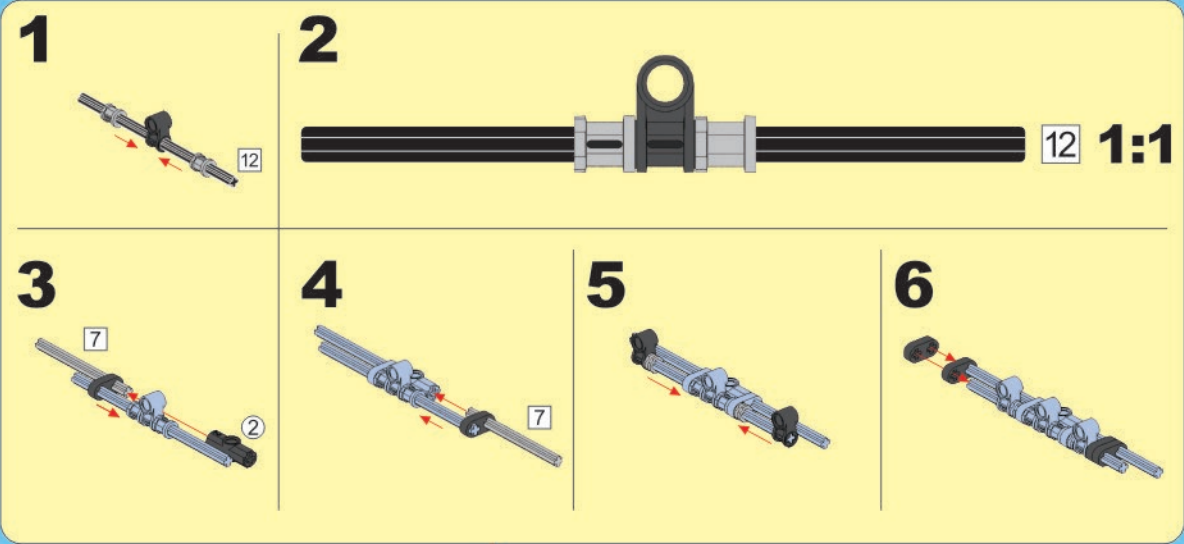


C27



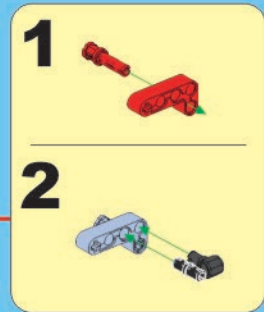
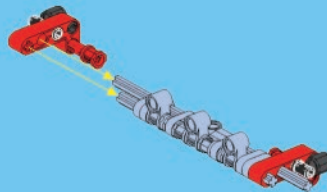
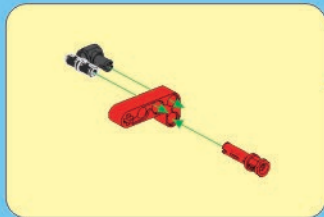


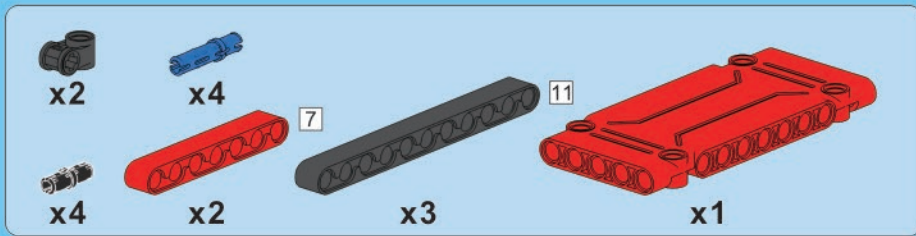
C28



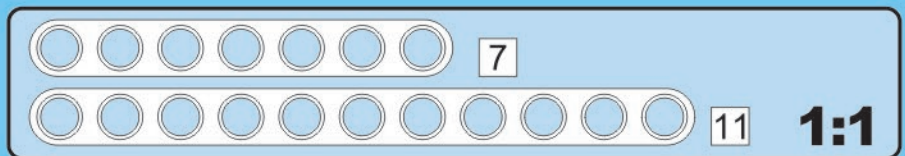
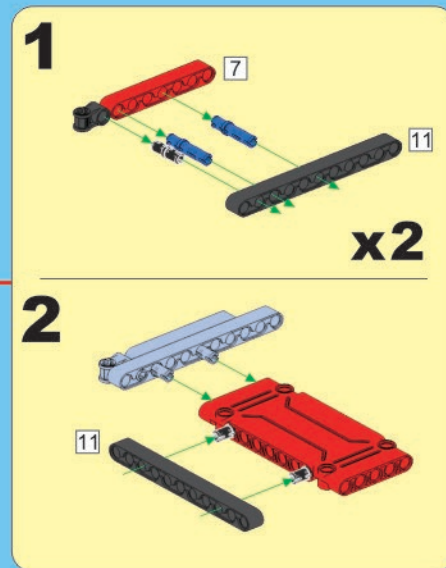
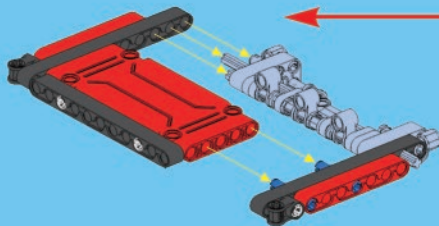


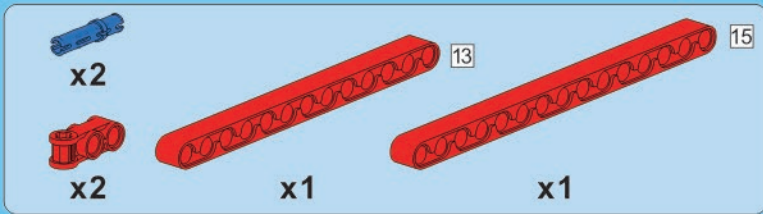
C29



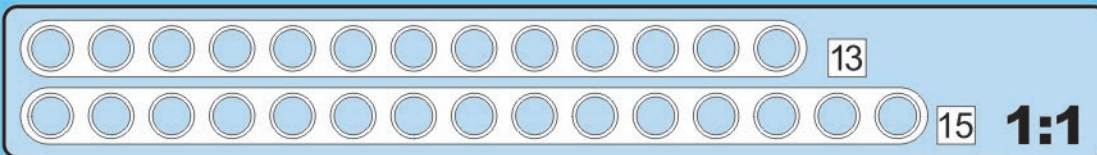
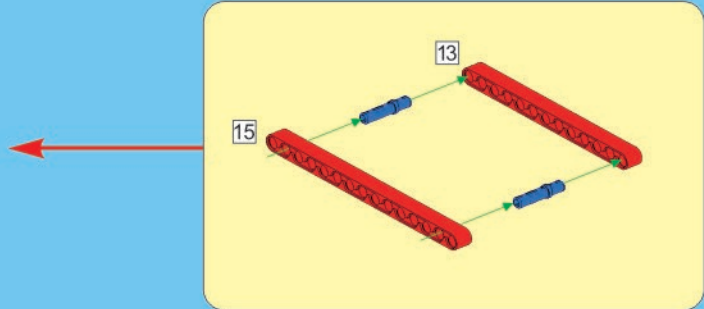
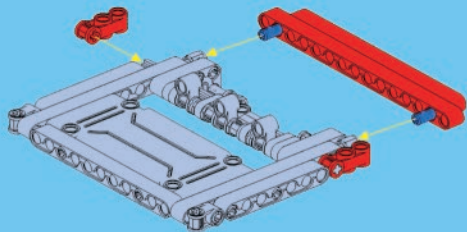


C30

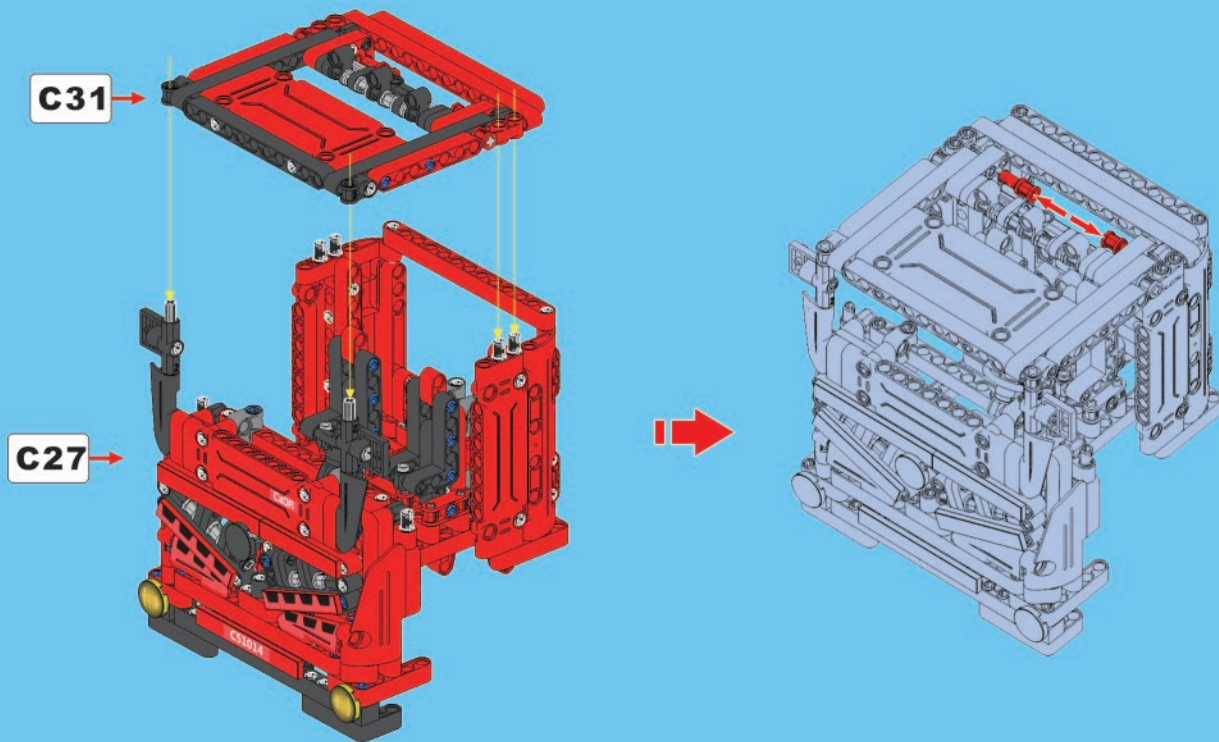


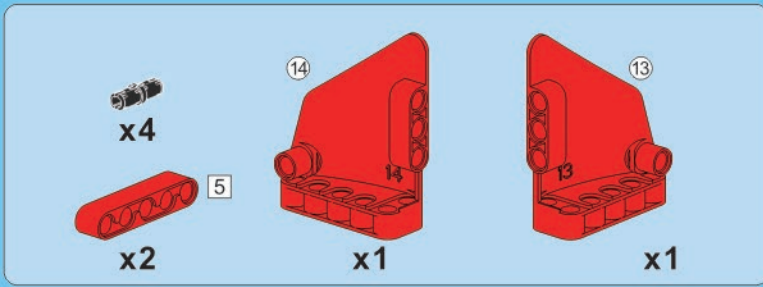


C31

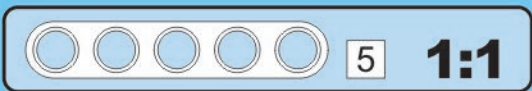
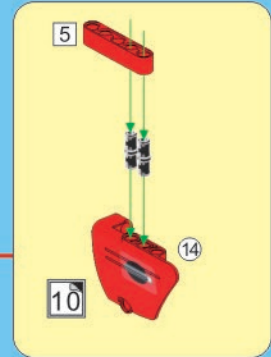
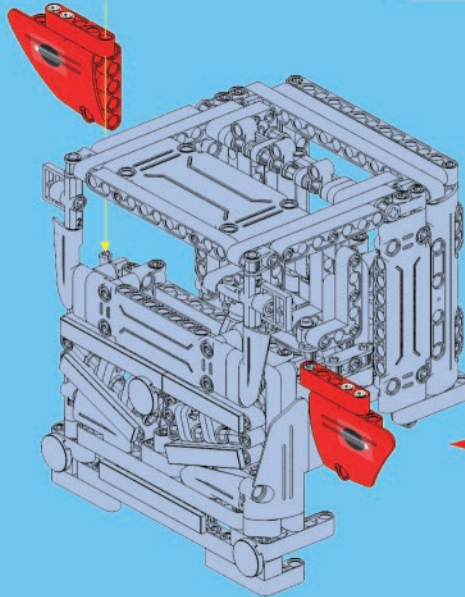
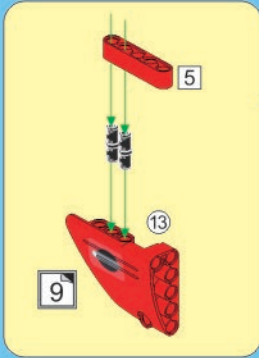
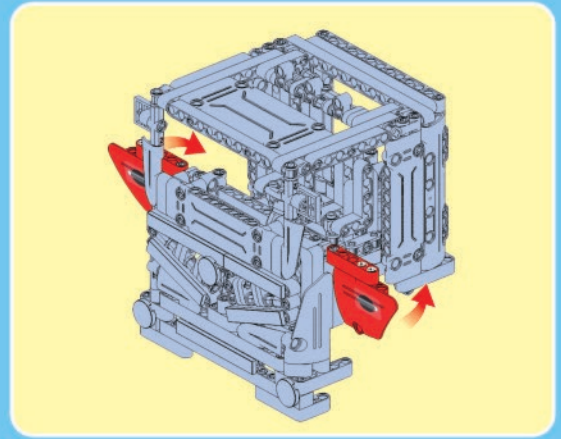


C32





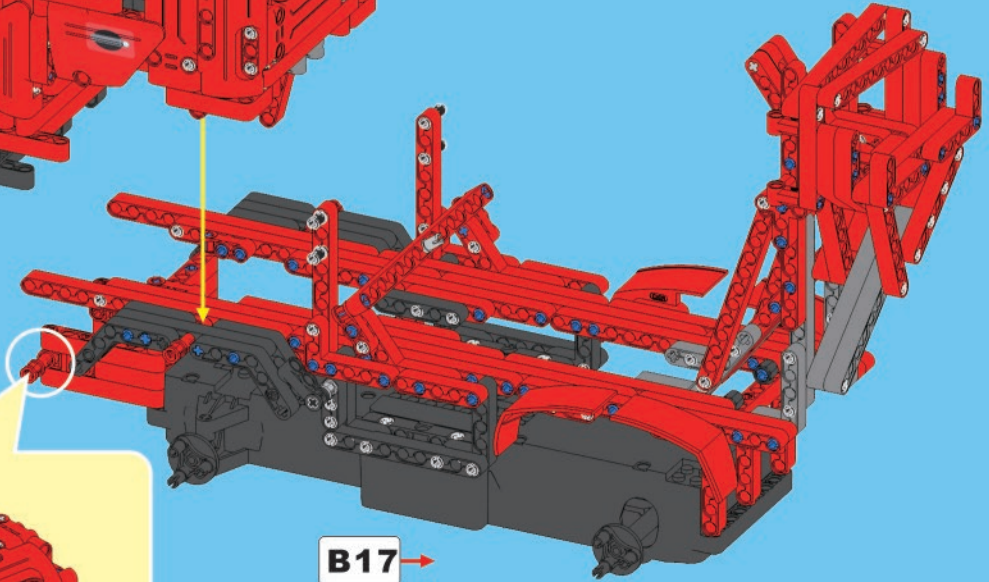
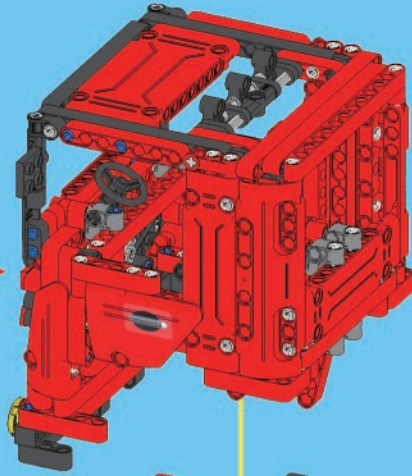
C33



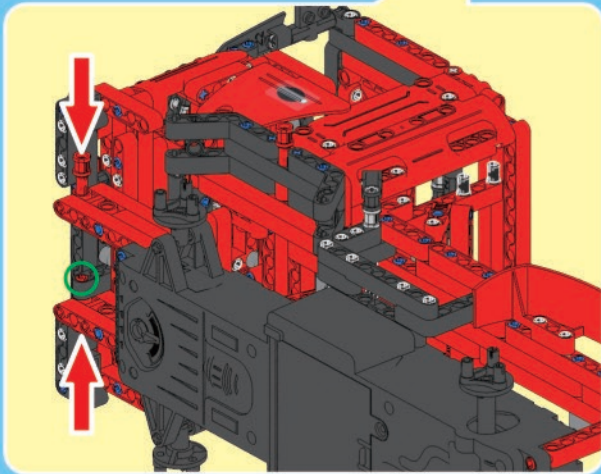
C34

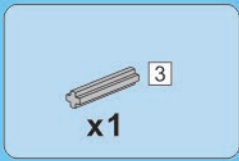


C33 →

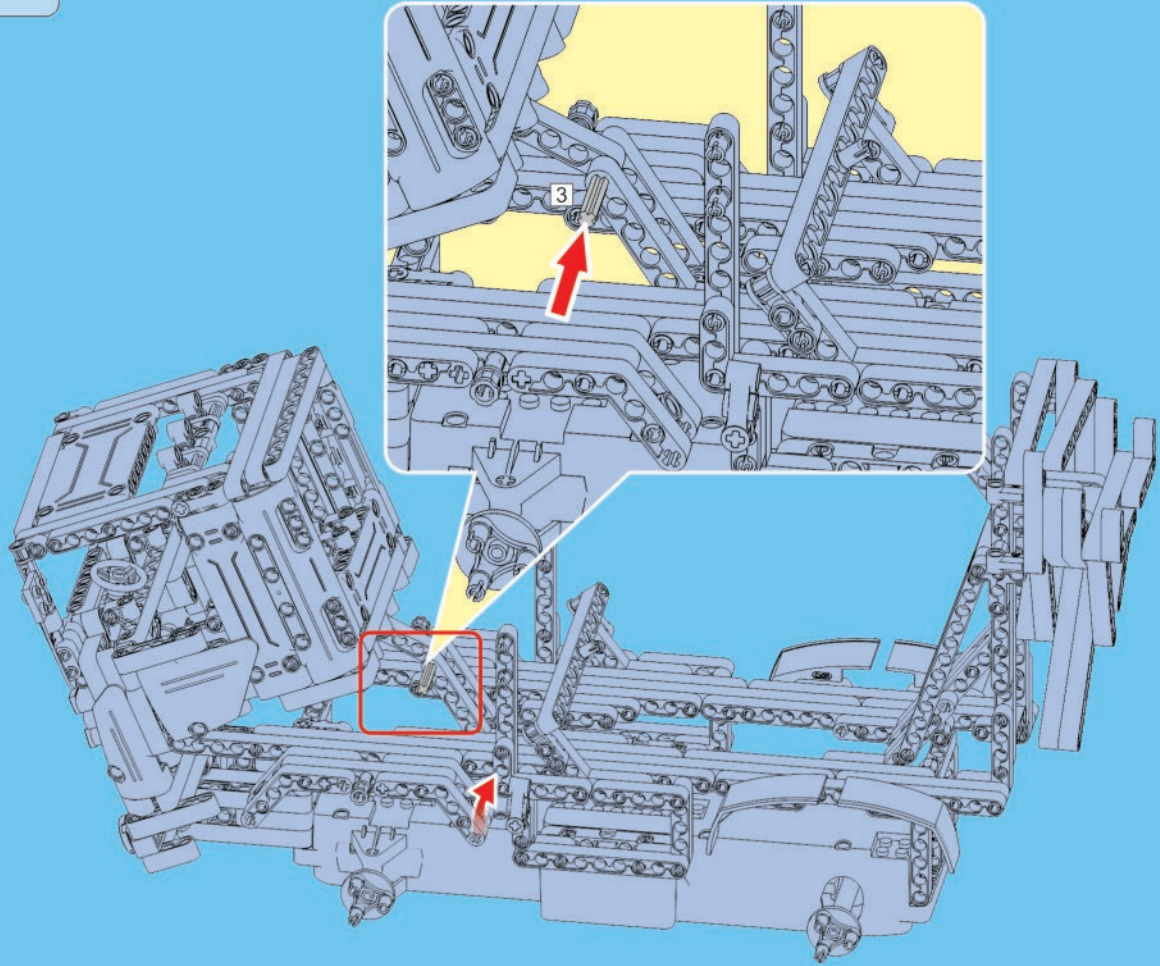


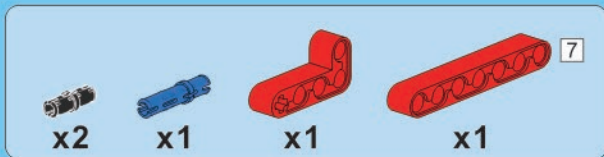
B17 →



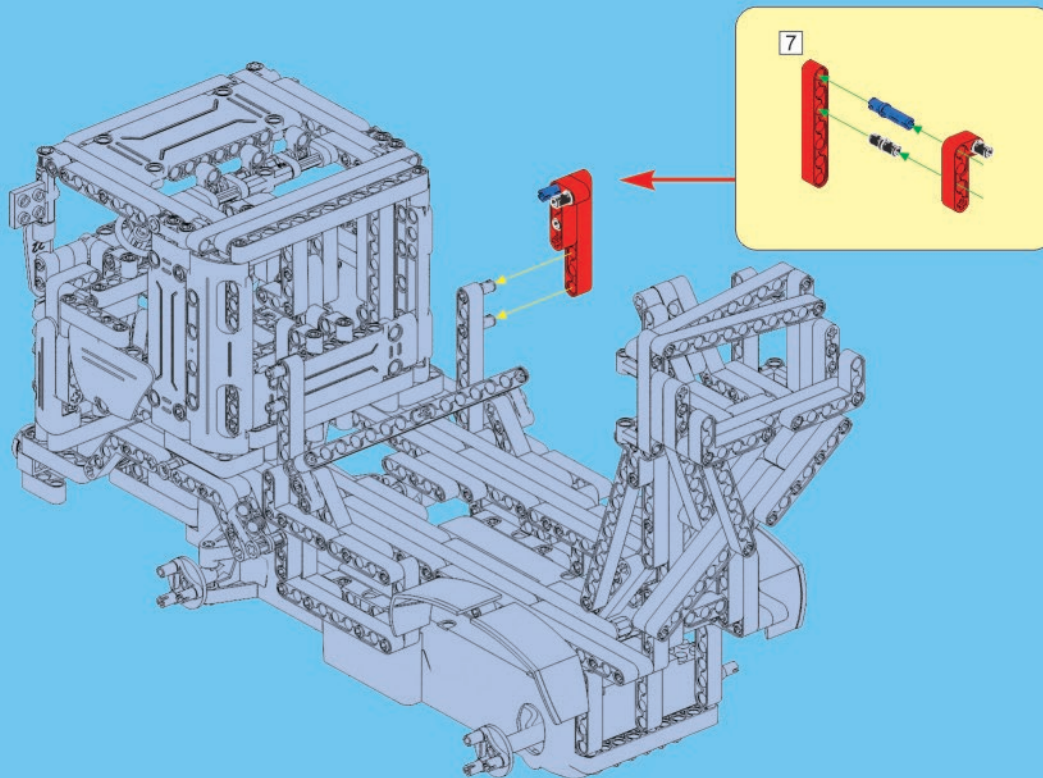


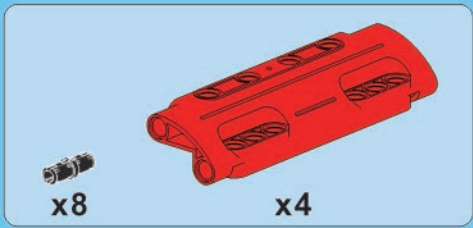
C35



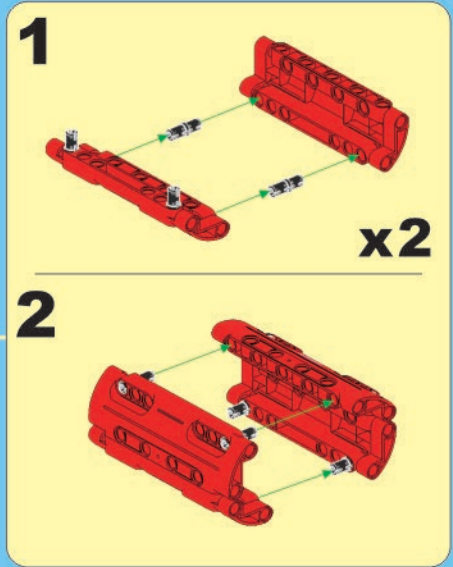
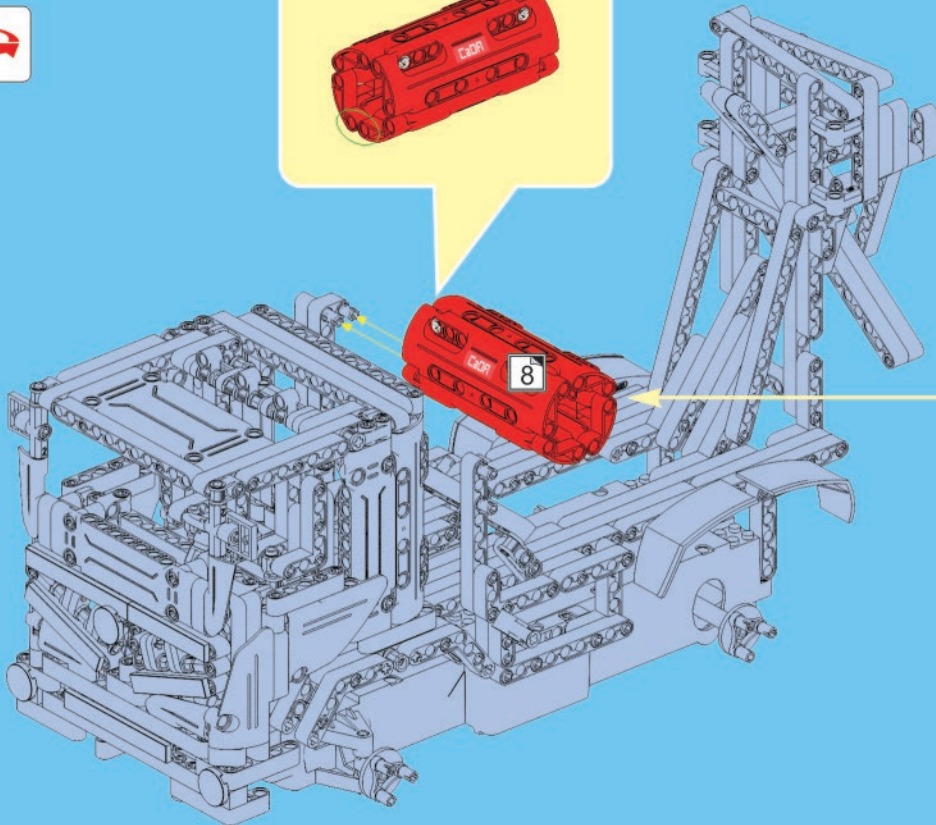


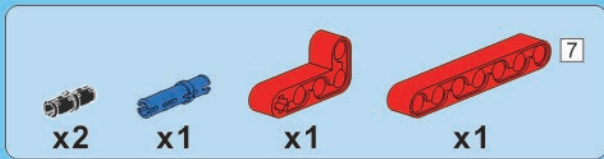
C36



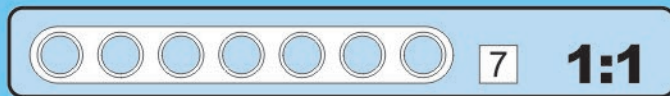
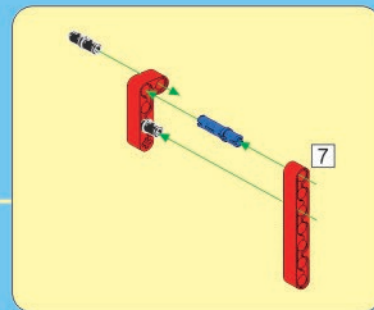
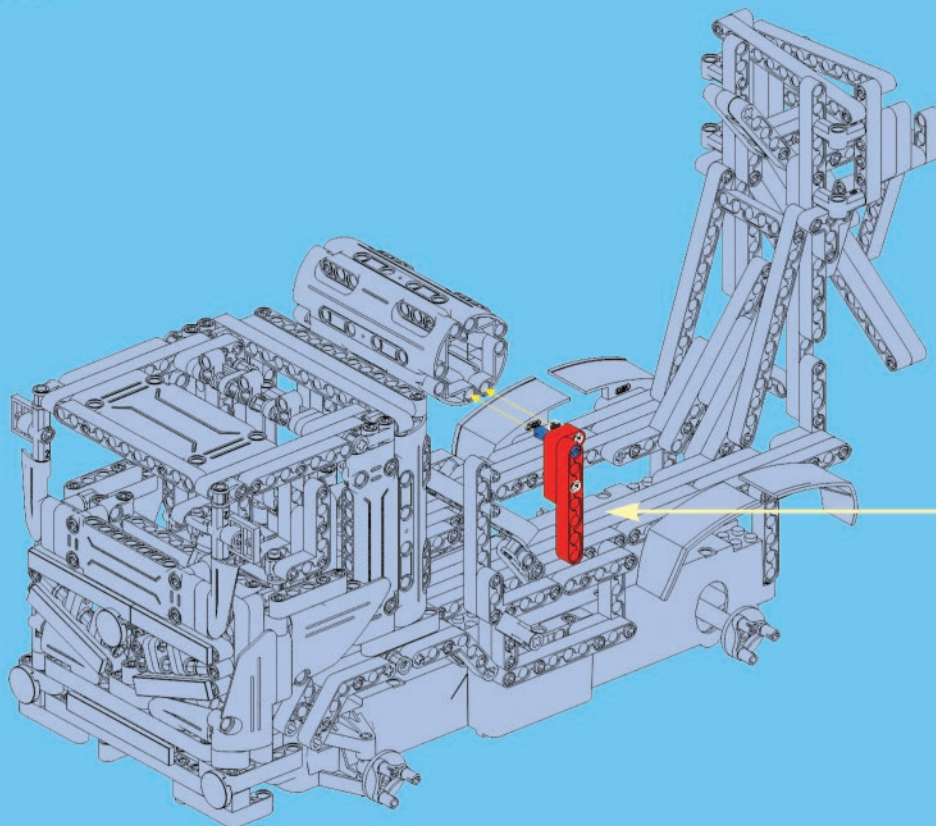


C37

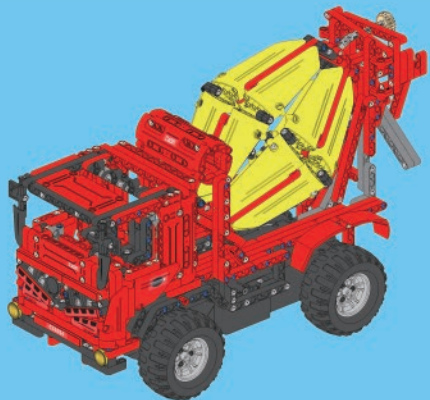




C38



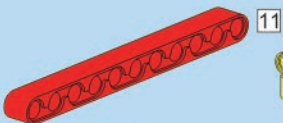
D



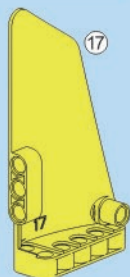
 x12

 x20

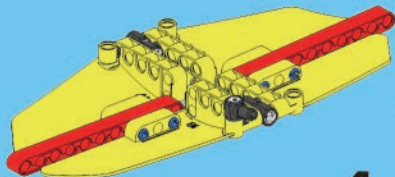
 x16

 x8

 x8

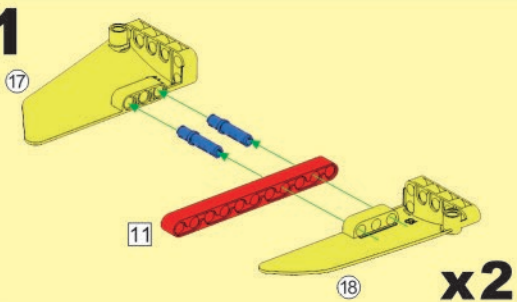
 x8

D1



x4

1



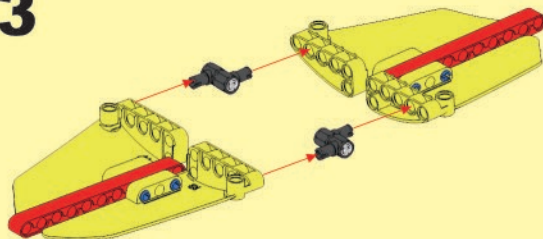
x2

2

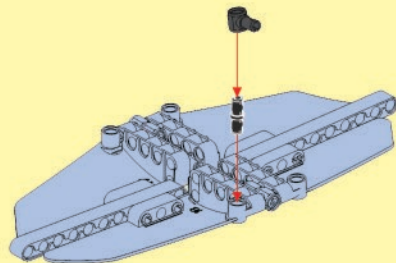


x2

3



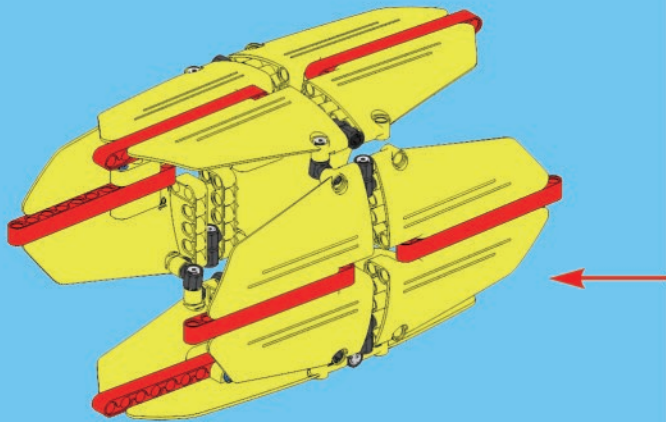
4



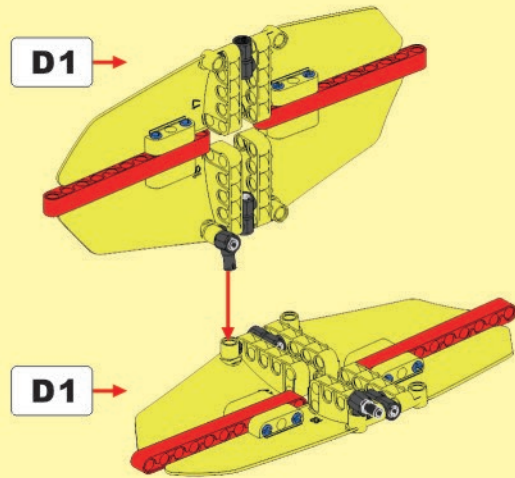
11

1:1

D2

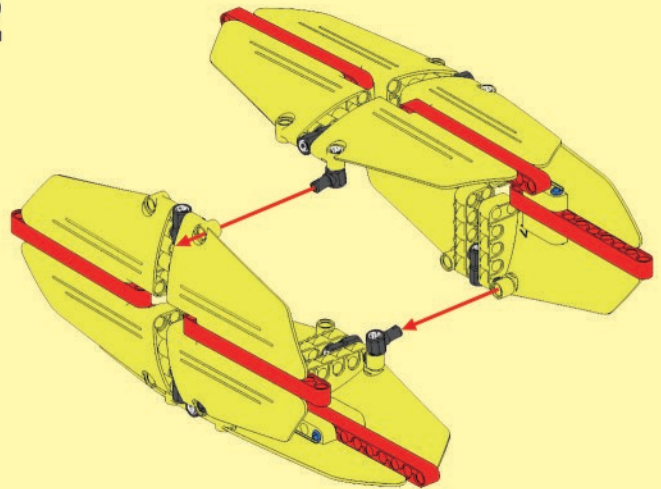


1



x2

2



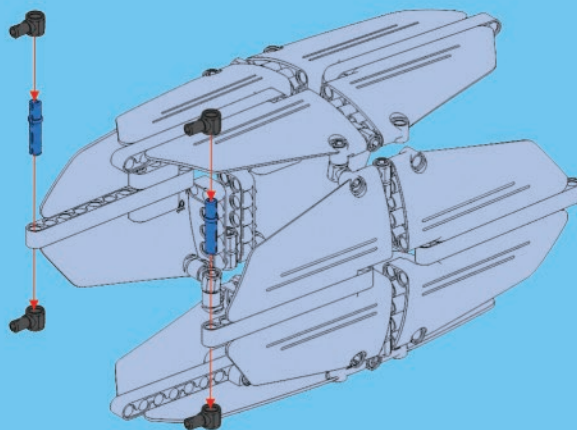


x2



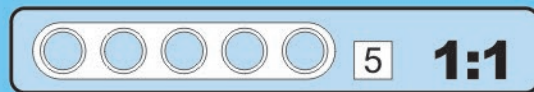
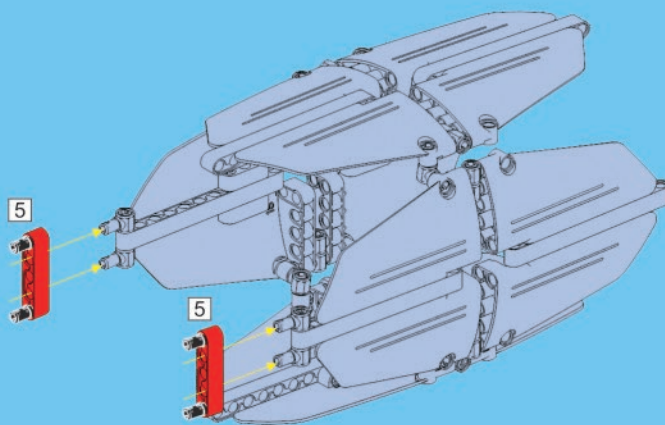
x4

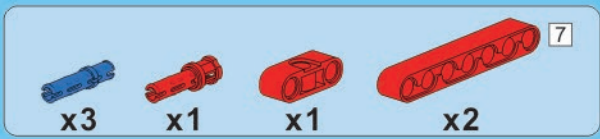
D3



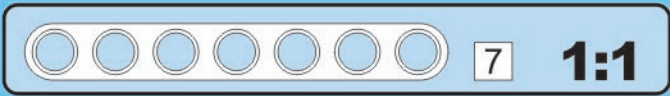
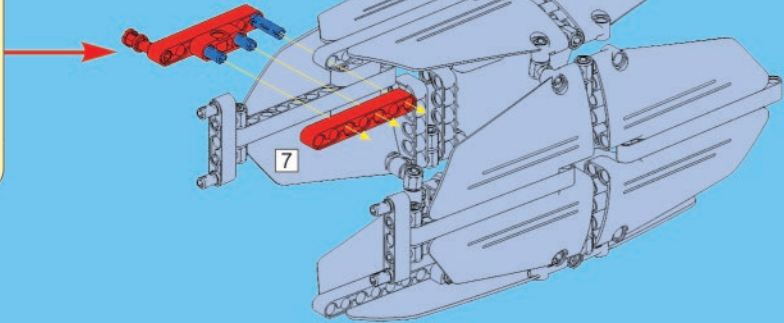
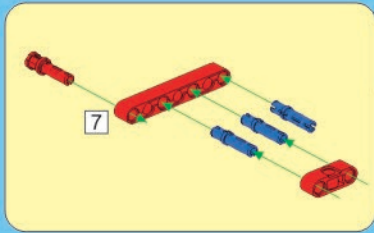


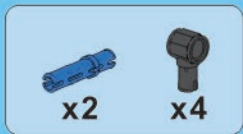
D4



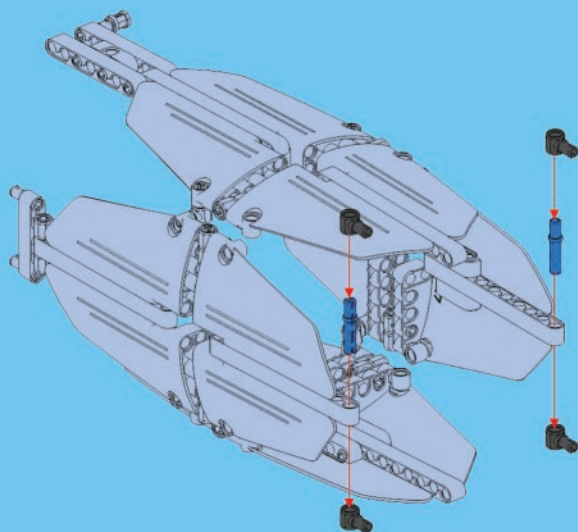


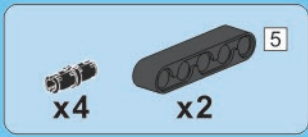
D5



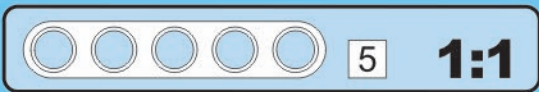
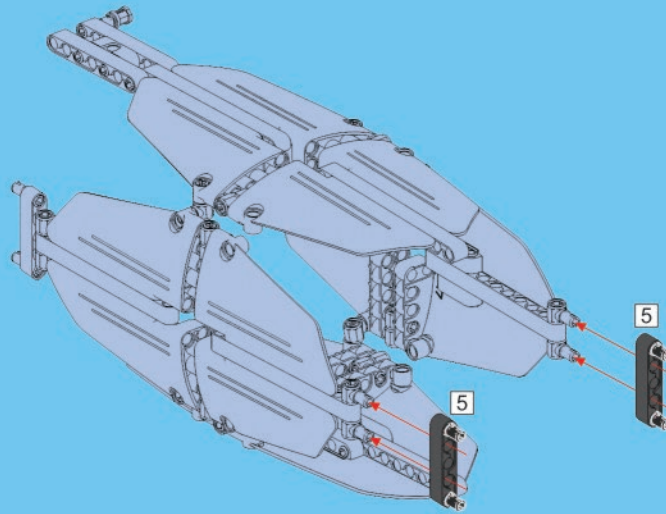


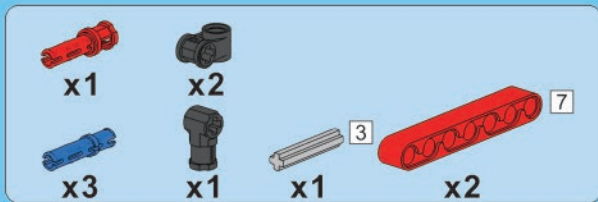
D6



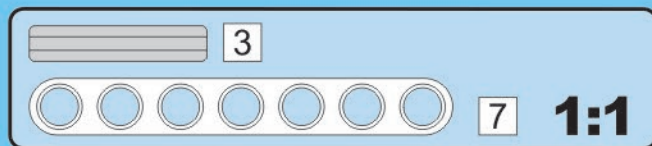
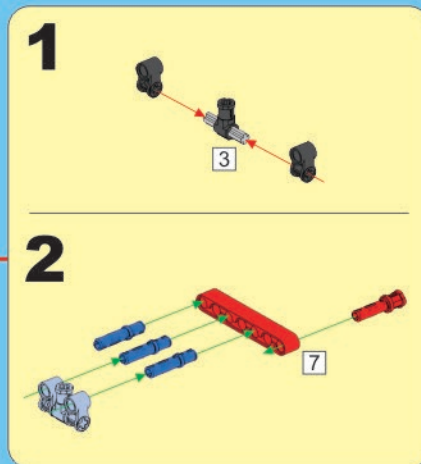
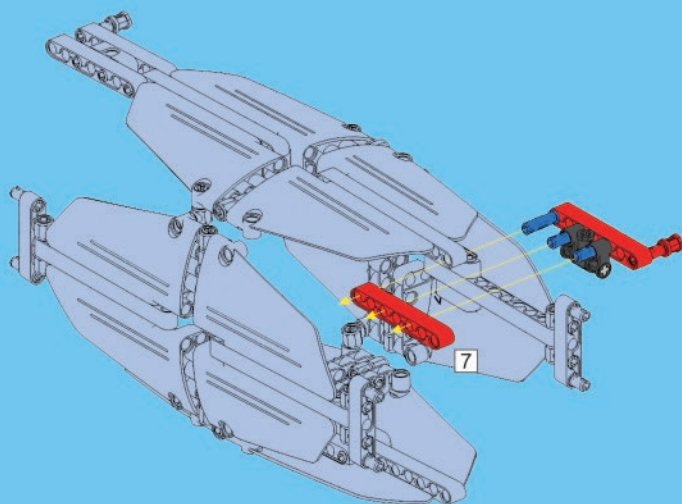


D7

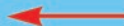
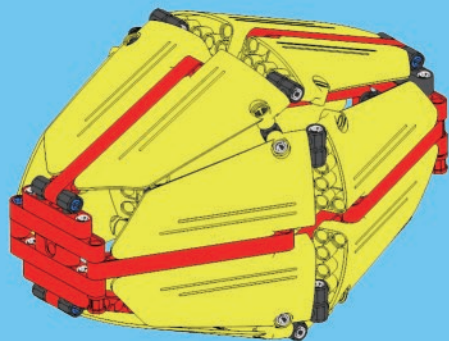




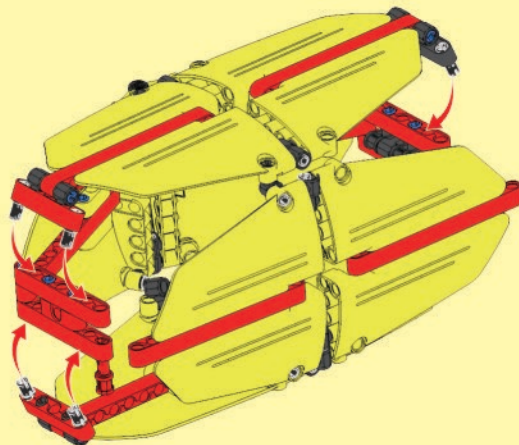
D8



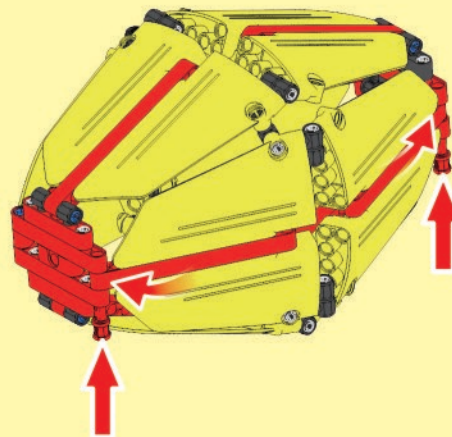
D9



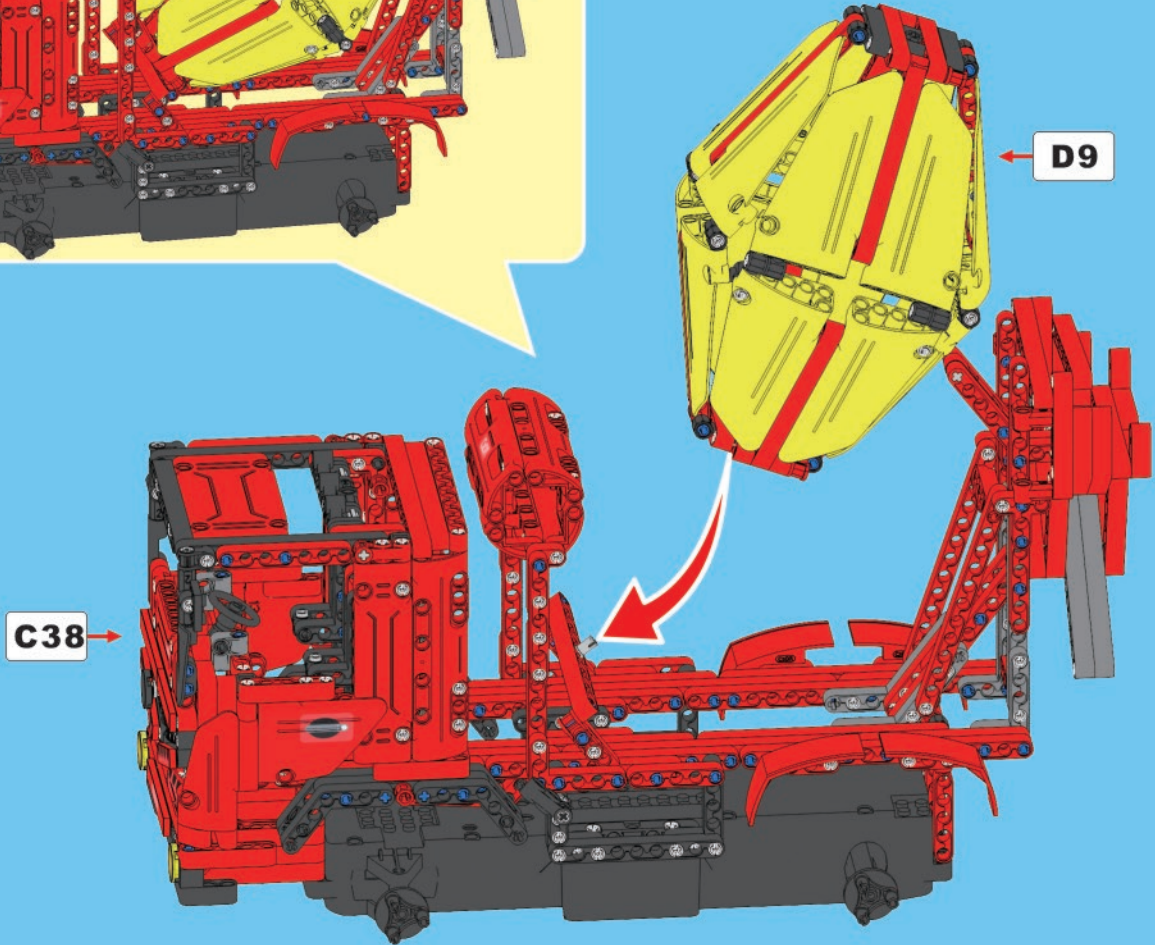
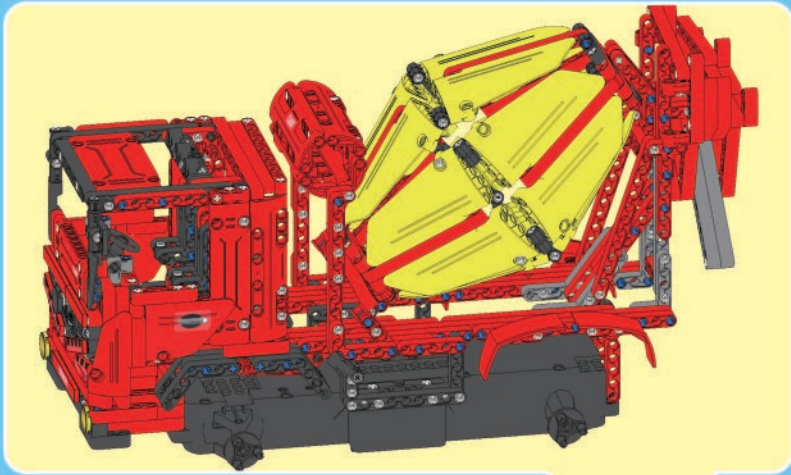
1



2



D10





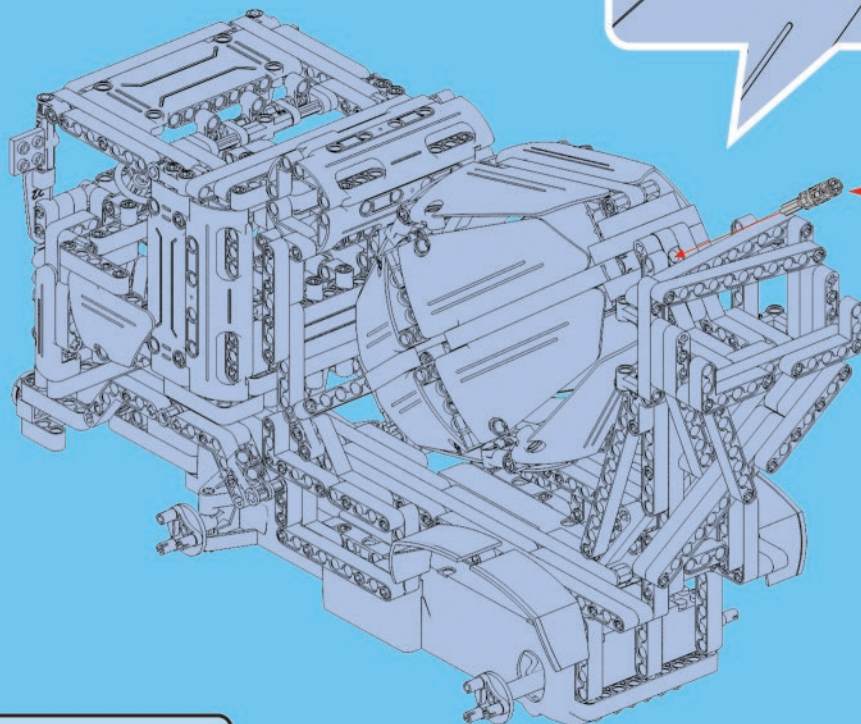
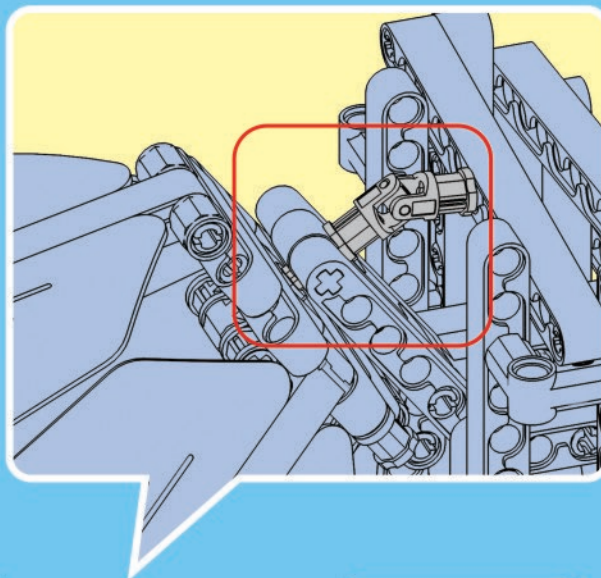
x1



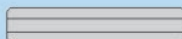
x1

3

D11

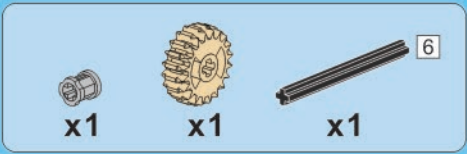


3

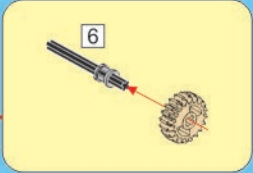
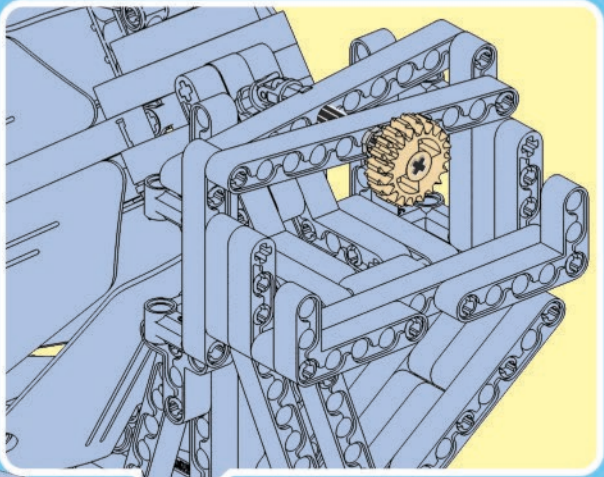
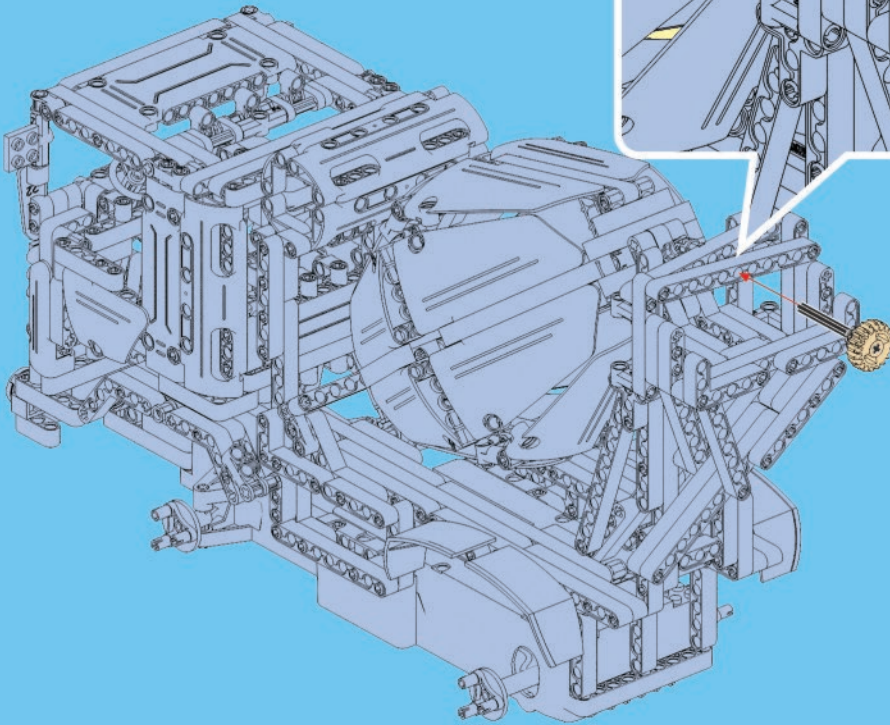


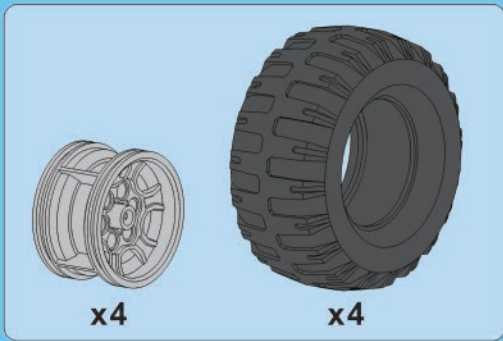
3

1:1

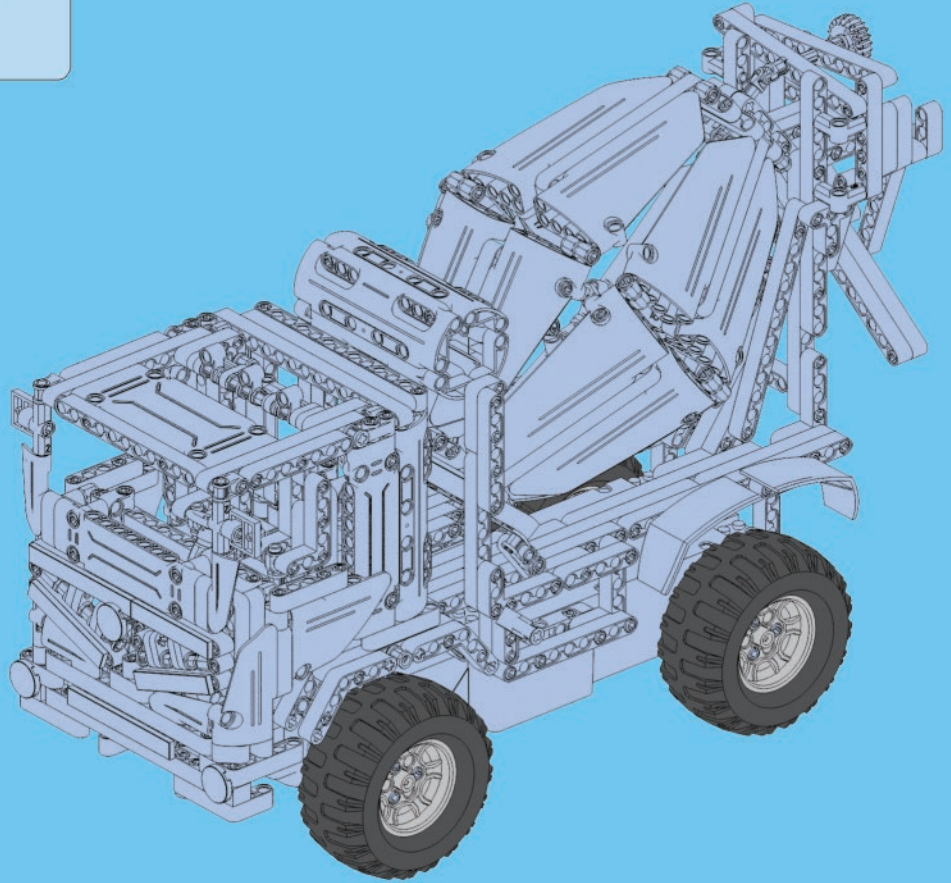
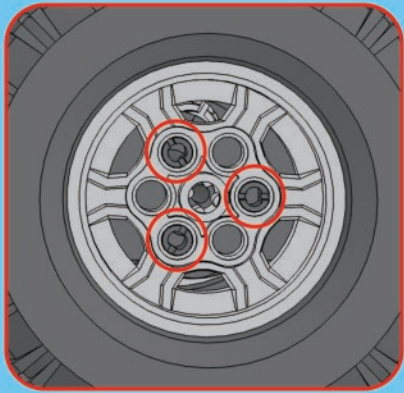


D12

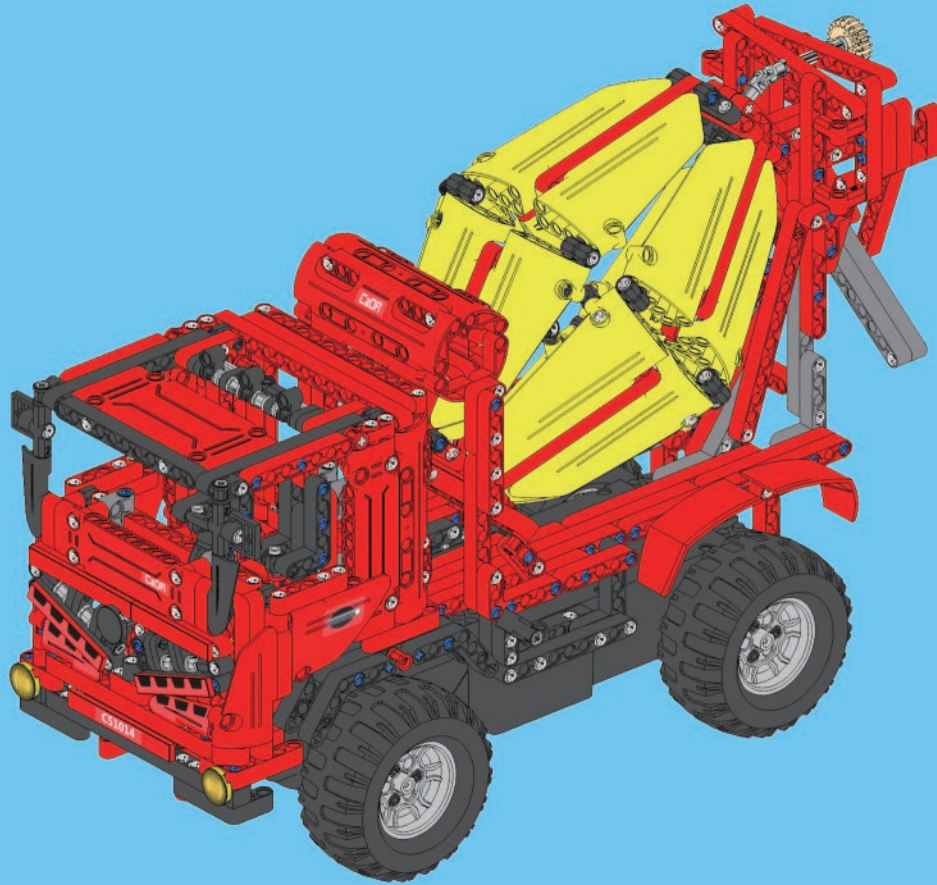


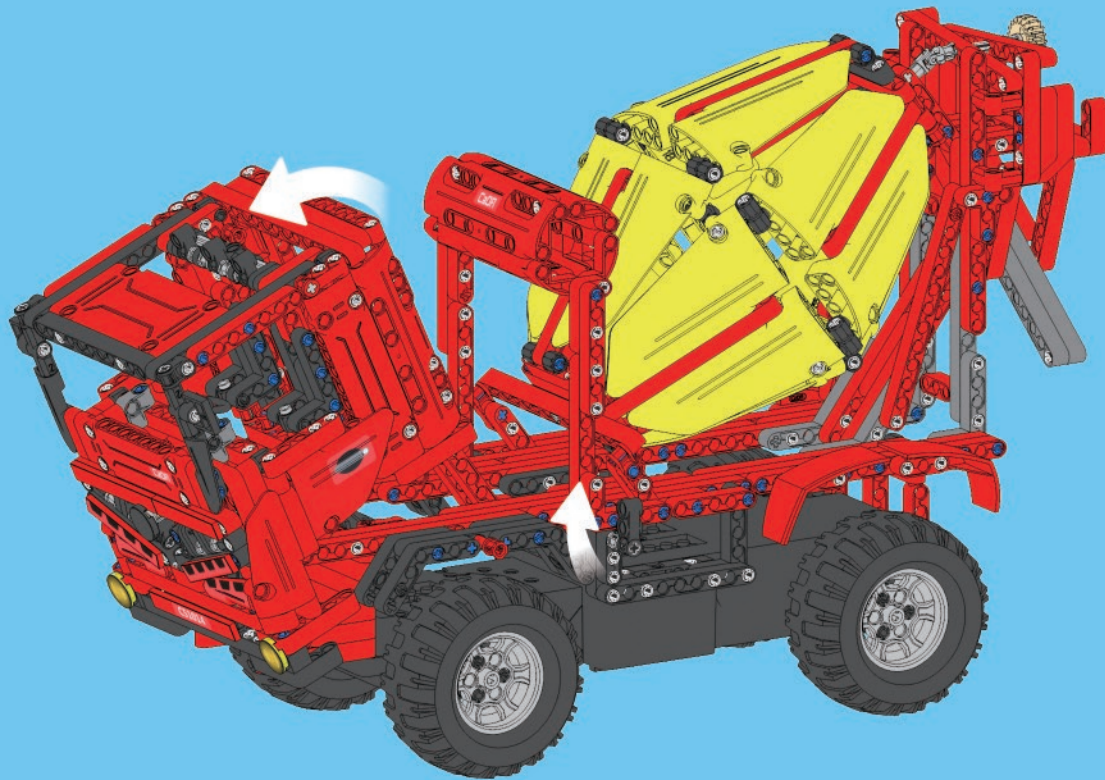
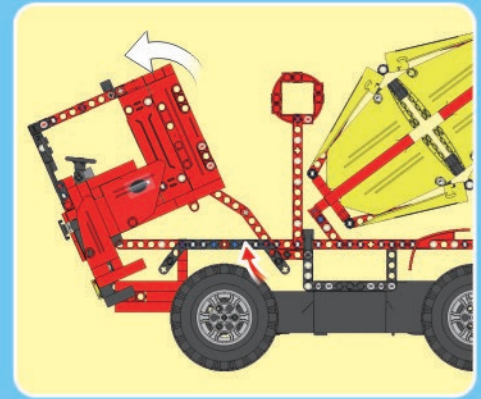
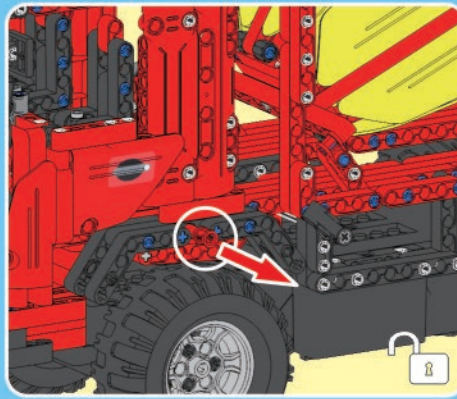
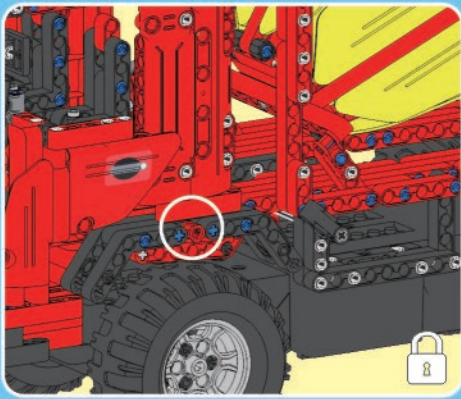


D13

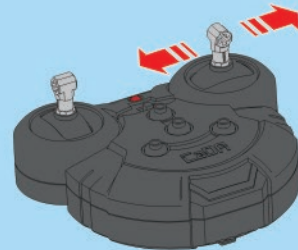
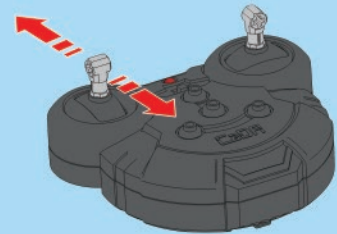


D14











x2
JB1004.08



x1
JB1004.06



x2
JF8039.01



x2
JJ0020.01



x4
JH1018.01



x10
JH1017.01



x12
JH2015.01



x1
JH2024.01



x207
JH2025.01



x31
JH5001.01



x152
JH2016.01



x8
JH5020.01



x4
JH5044.01



x1
JH5045.01



x2
JH5026.01



x1
JH4023.01



x11
JH5041.01



x35
JH5032.01



x4
JH6038.03



x6
JH6039.08



x2
JH6039.01



x6
JH6048.03



x8
JH4022.07



x1
JH9056.01



x1
JH6036.01



x2
JH6035.02



x1
JX0041.01



x1
JM0016.01



x3
JH6027.01



x4
JH6028.02



x6
JH0011.01



x4
JH0013.01



x3
JH0006.01



x2
JH0007.01



x2
JH0012.01



x3
JA3032.02



x2
JA3033.05



x6
JJ6003.01



x4
JJ6004.01



x6
JJ6004.02



x7
JJ6005.01



x18
JJ6005.03



x2
JJ6006.01



x24
JJ6006.02



x4
JJ6007.01



x4
JJ6007.01



x14
JJ4022.01



x14
JJ4022.01



x7
JJ6007.02



x15
JJ6008.01



x3
JJ6008.02



x4
JJ6008.06



x15
JJ6009.01



x1
JJ6009.02



x15
JJ6010.01



x1
JJ6031.01



x2
JJ6032.01



x2
JJ6033.01



x2
JJ6035.01



x4
JJ6036.01



x14
JJ4022.01



x6
JJ7017.02



x8
JJ7011.01



x2
JJ7011.02



x14
JJ7012.01



x10
JJ7012.02



x2
JJ7012.06



x4
JJ7013.01



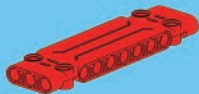
x8
JJ7013.02



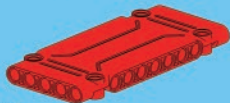
x6
JJ7014.01



x2
JJ7014.05



x4
JX4039.02



x1
JX4038.02



x2
JX4046.02



x2
JX4046.01



x1
JX4035.13



x1
JX4035.14



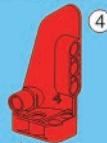
x1
JX4035.07



x1
JX4035.08



x1
JX4033.13



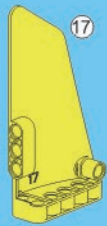
x1
JX4033.14



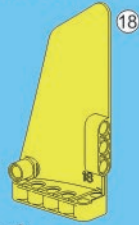
x1
JX4031.03



x1
JX4031.04



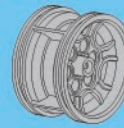
x8
JX4032.01



x8
JX4032.02



x6
JX4040.01



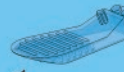
x4
JM3006.02



x4
JR4004.01



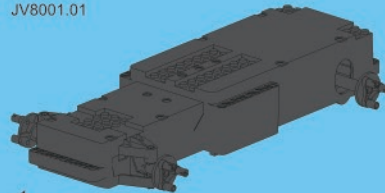
x2
JH4023.02



x1
JQ0001.01



x1
JV8001.01



x1
JV9002.02

STEAM support



Science • Technology • Engineering • Art • Maths

The purpose of STEAM education-Science, Technology, Engineering, Art and Mathematics- is to provide students with the necessary skills, knowledge and experience in order to cope with the technological challenges of the future. Modern pedagogical theories suggest that the study of engineering should be incorporated in all other subjects, starting from elementary level. STEAM series, offers a practical solution for facing all these educational issues, aiding the teacher to engage students in STEAM disciplines in a fun, exciting and interesting way!

TECHNIC series

C51013



C51014



C51017

