

咔搭 CaDA

Designed in California

CaDA
TECHNIC



Double E

Building Blocks
Remote-controlled Running Function

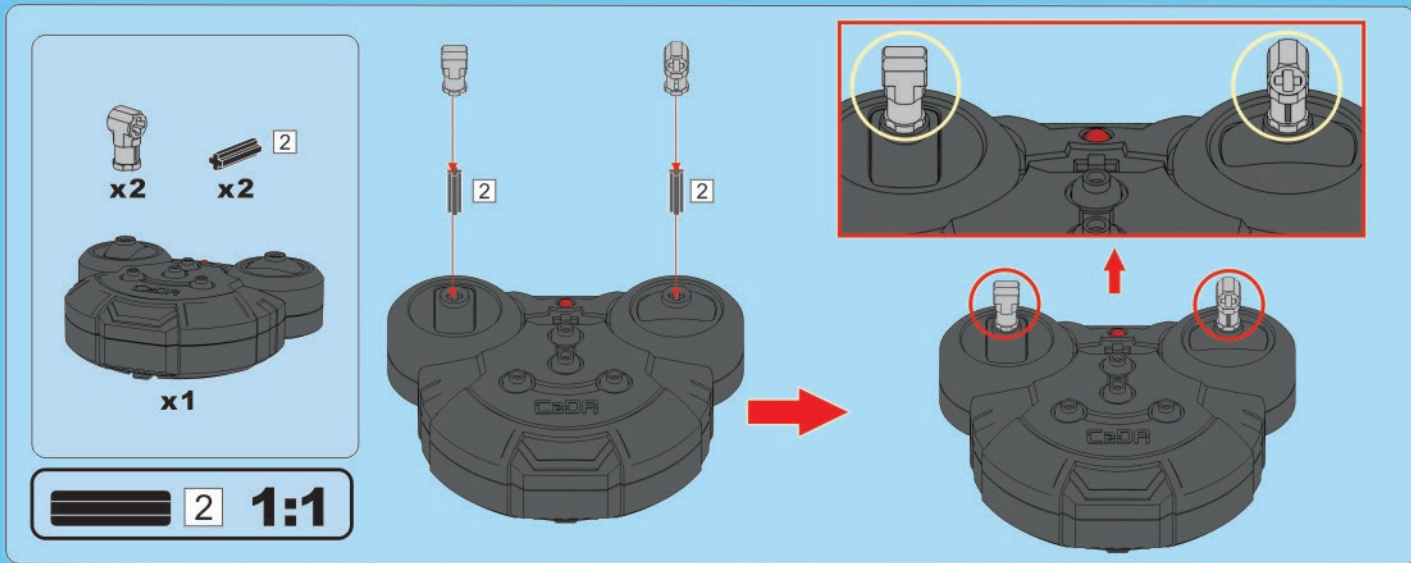
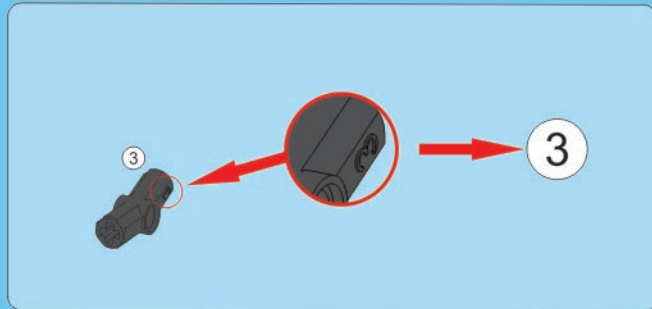
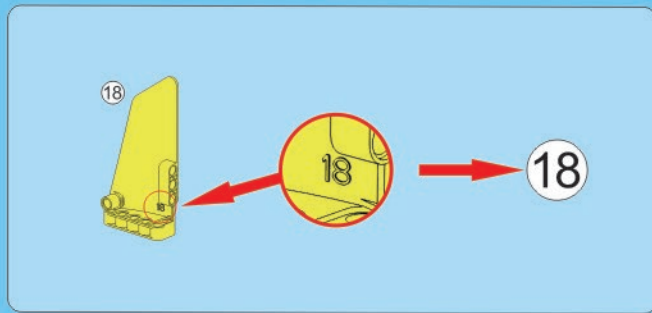
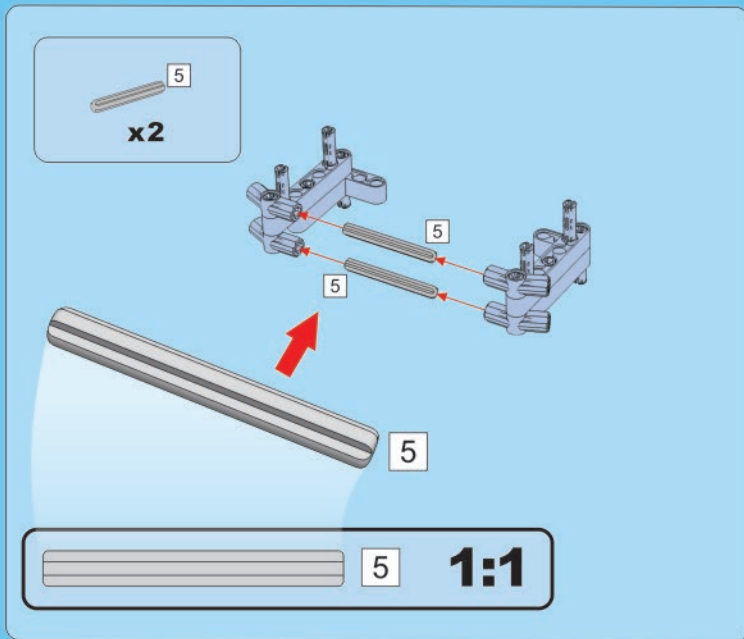
Age

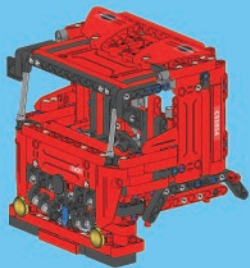
6 +

C51014

RC
RADIO CONTROL







x6



x4



x4



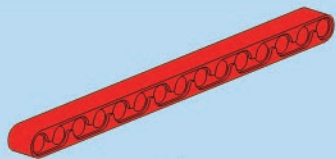
x1



x2



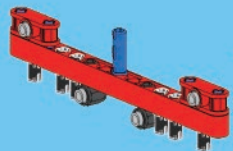
x2



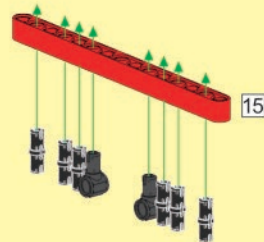
15

x1

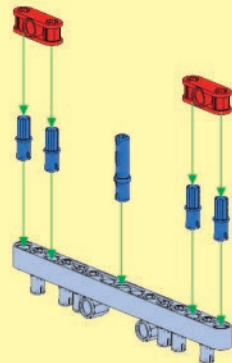
A1



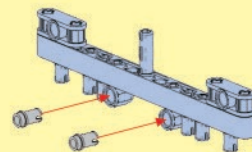
1



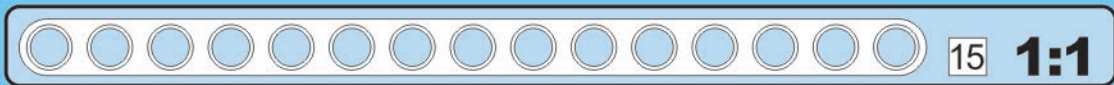
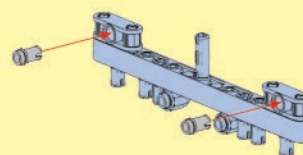
2

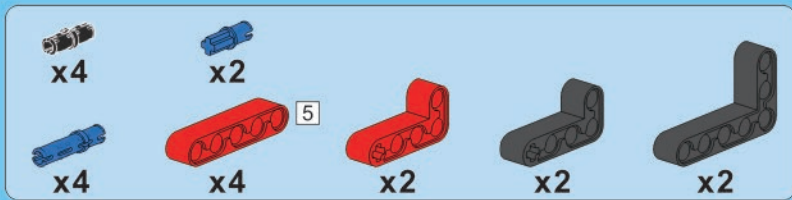


3

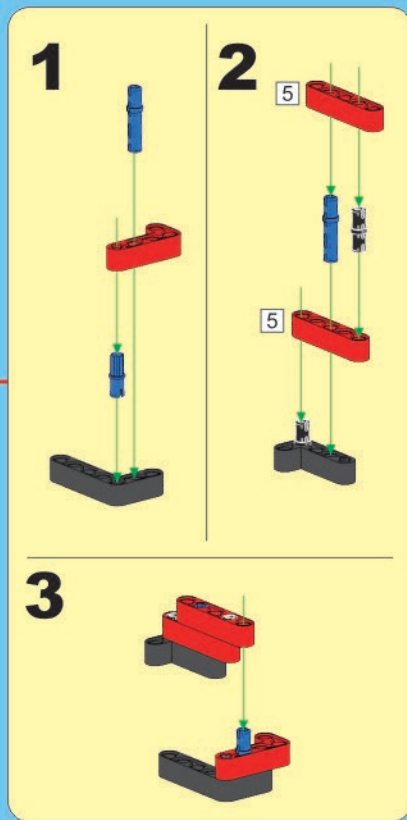
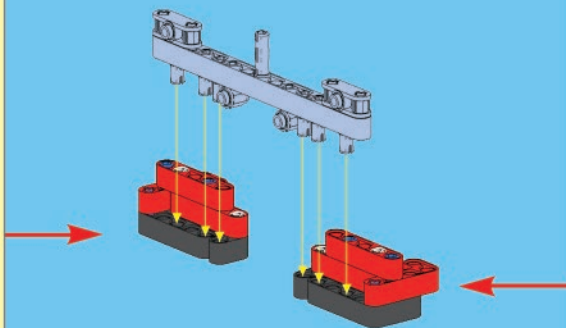
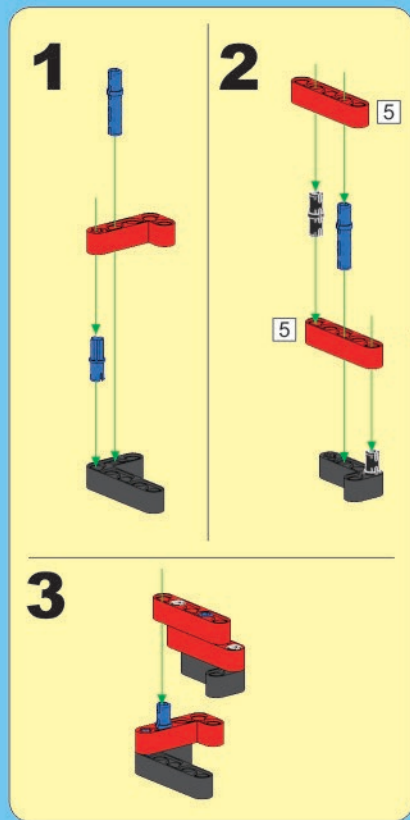


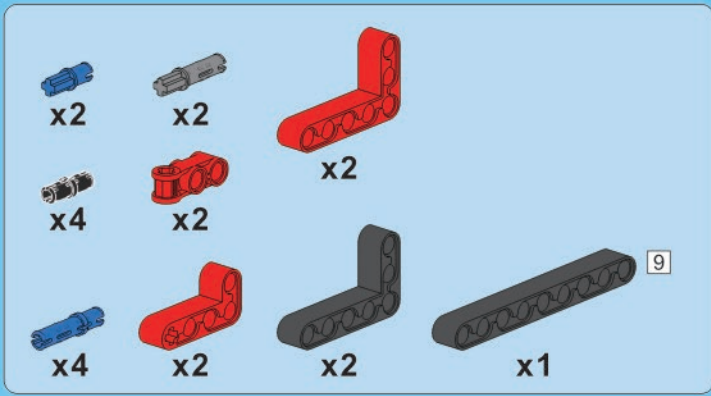
4



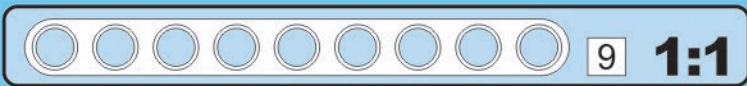
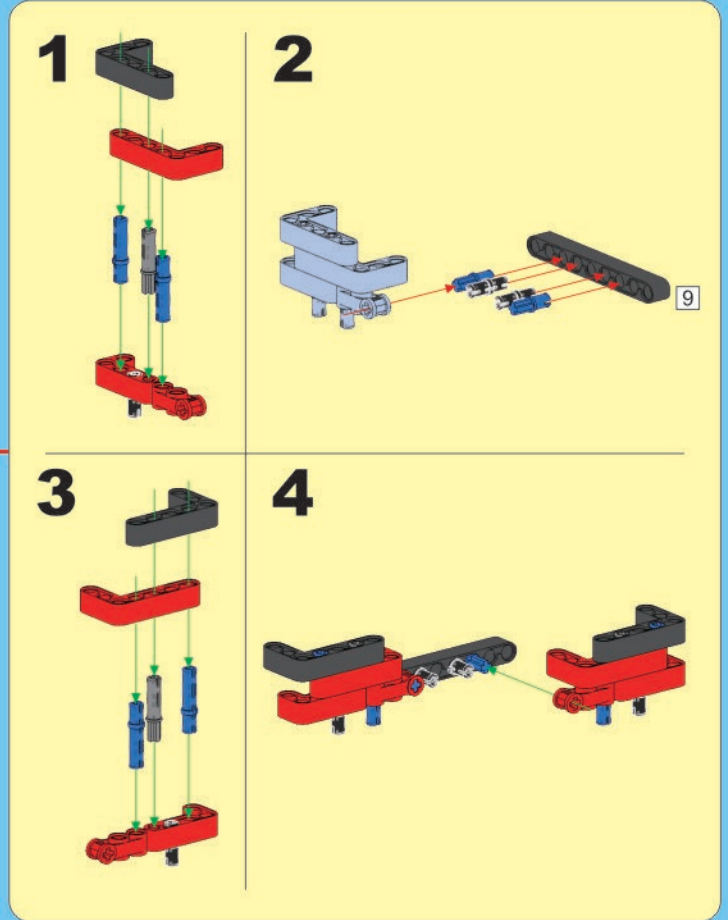
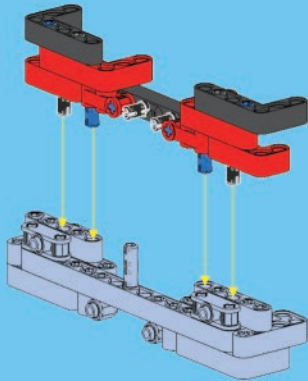


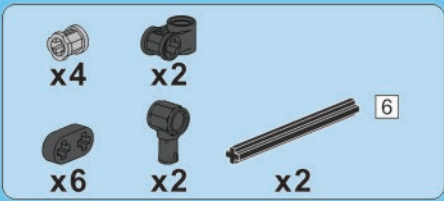
A2



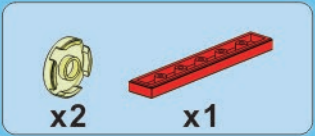
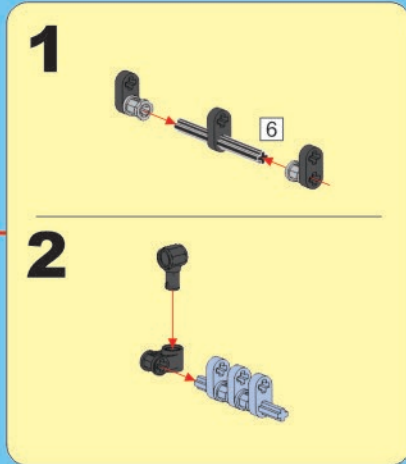
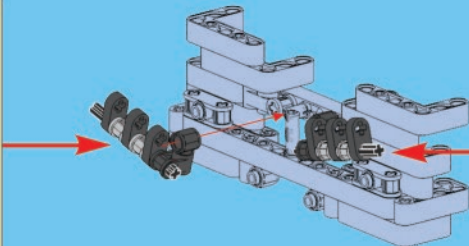
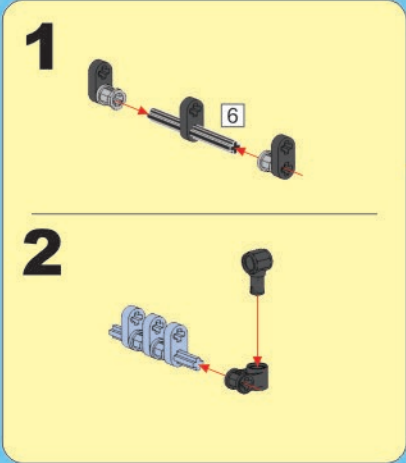


A3

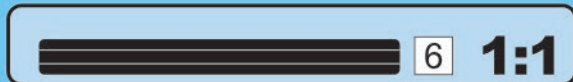
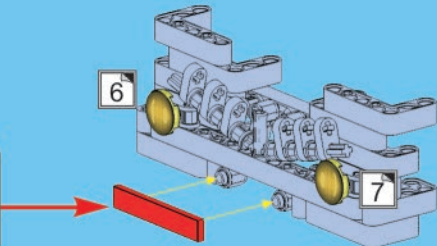




A4

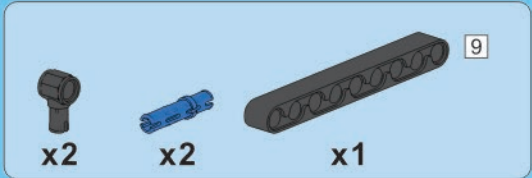
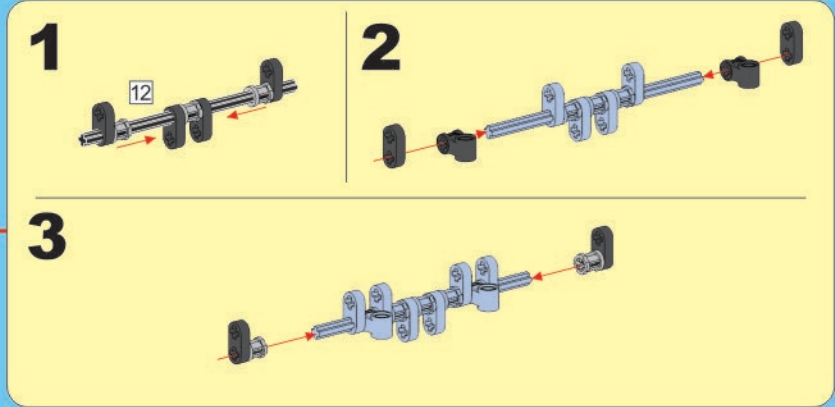


A5

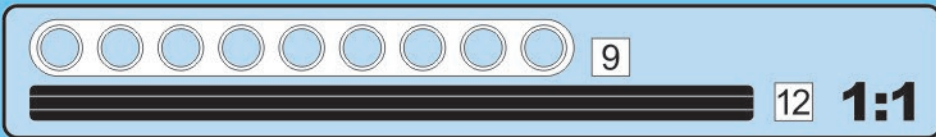
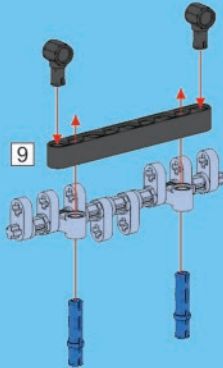


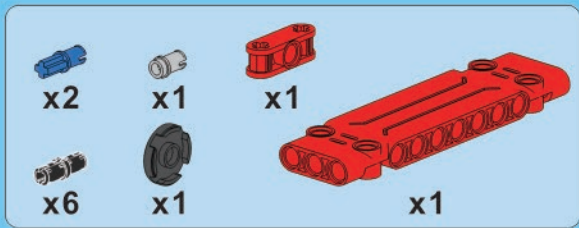


A6

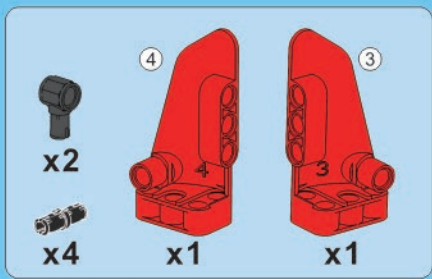
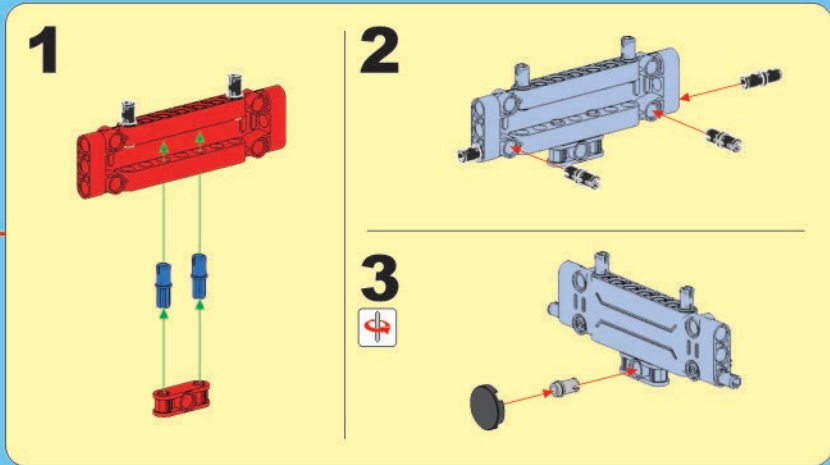
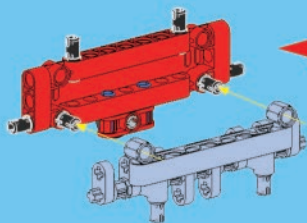


A7

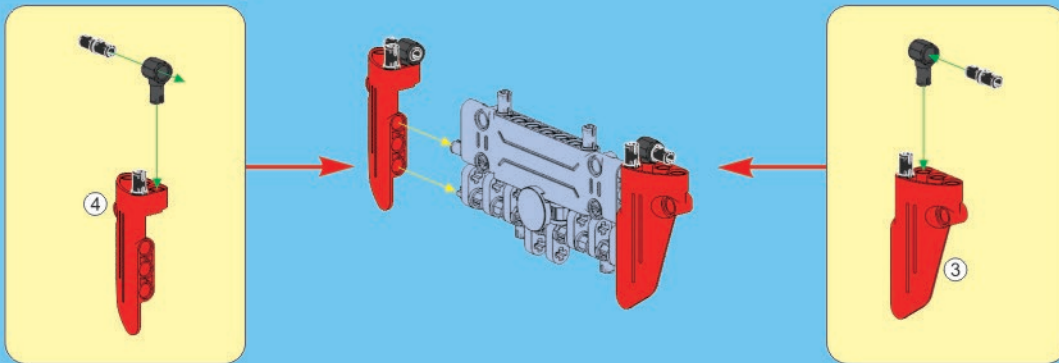


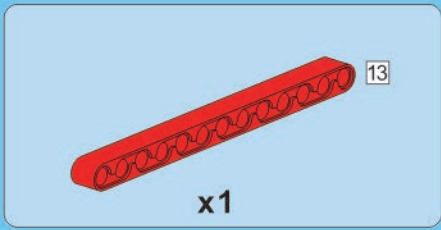


A8

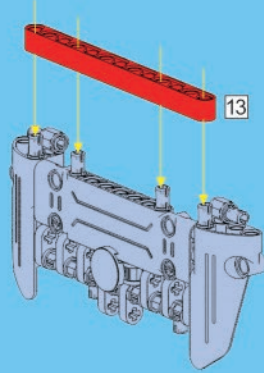


A9

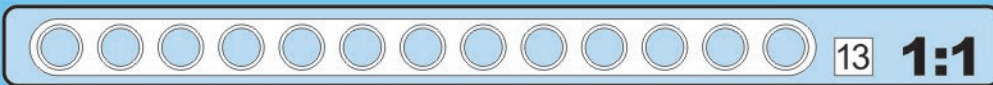
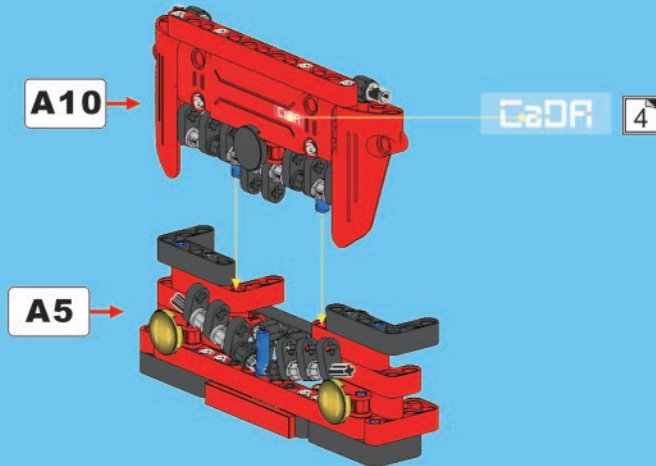


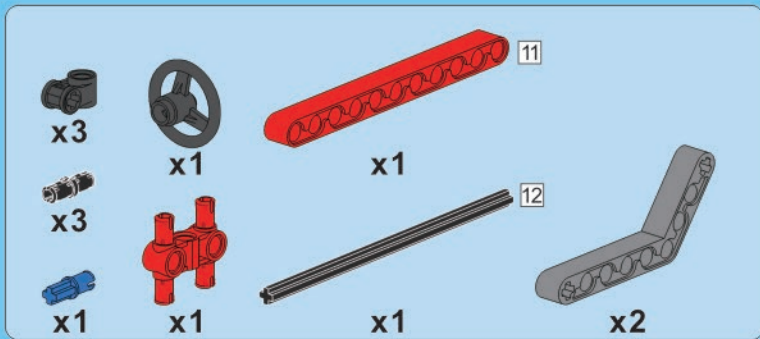


A10

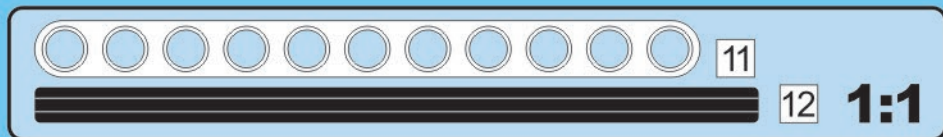
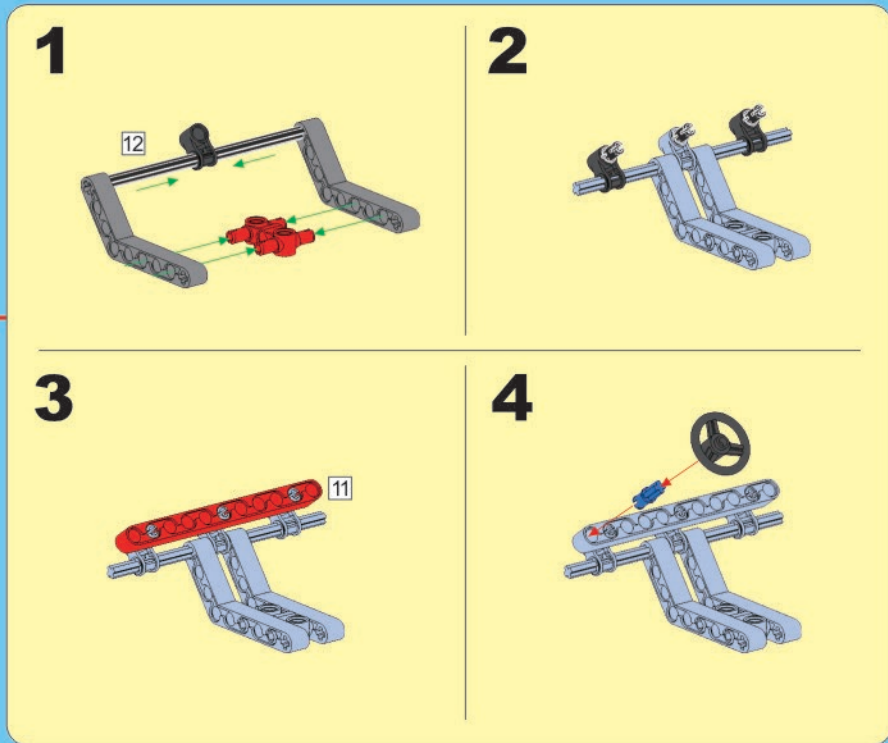
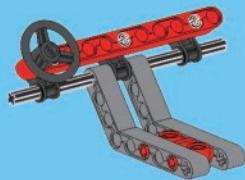


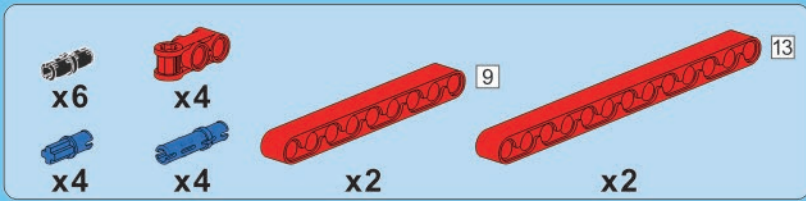
A11



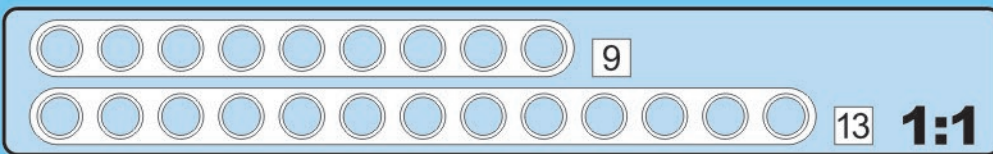
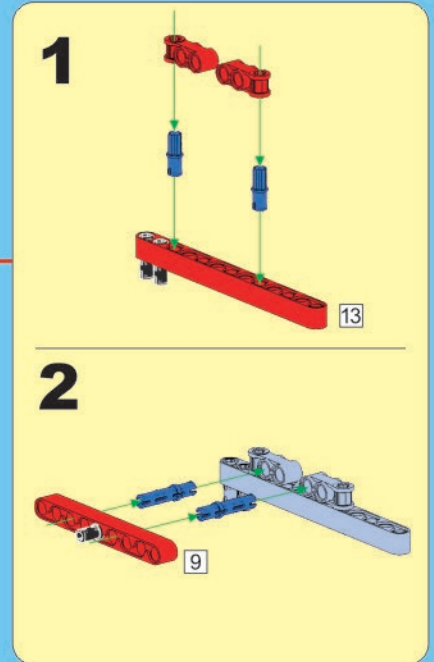
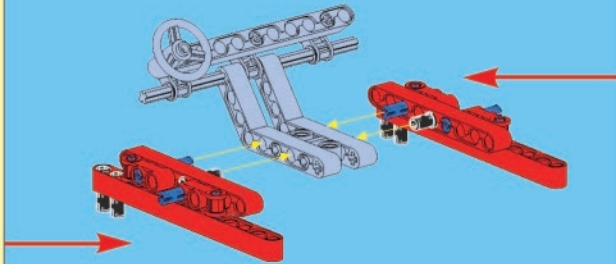
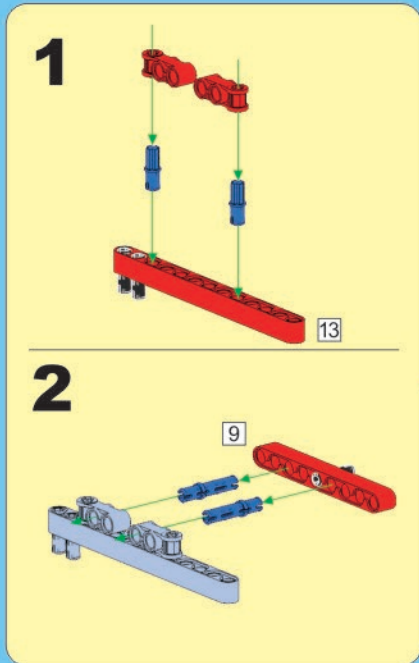


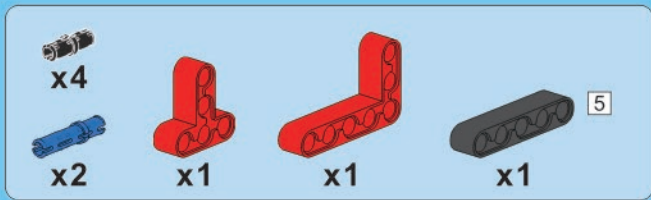
A12



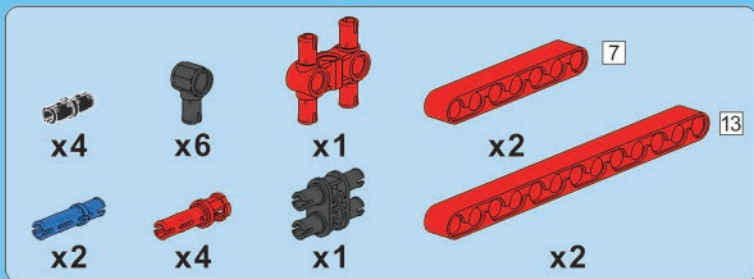
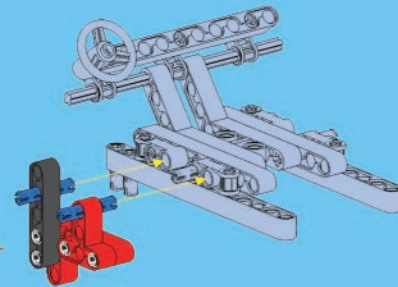
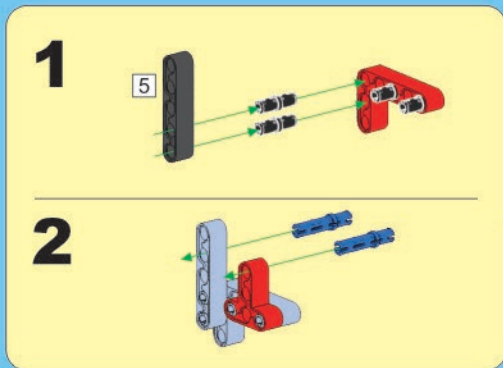


A13

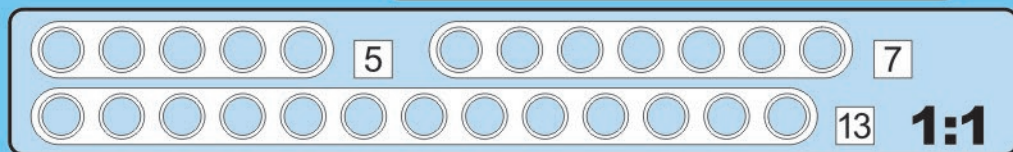
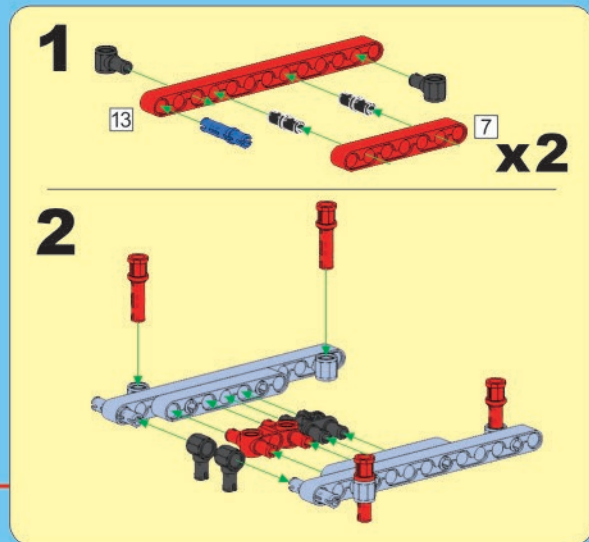
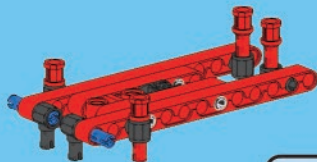


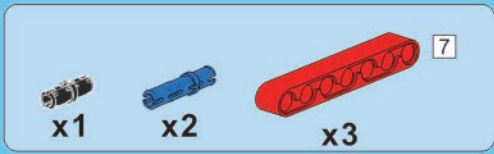


A14

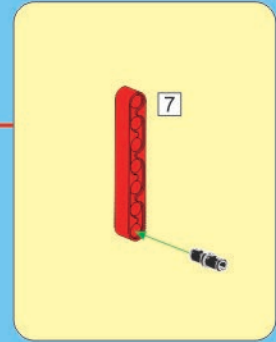
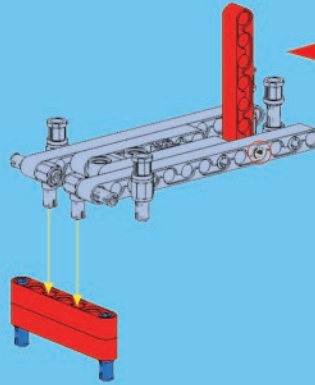
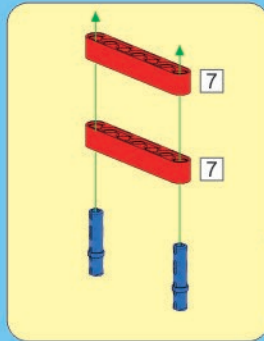


A15

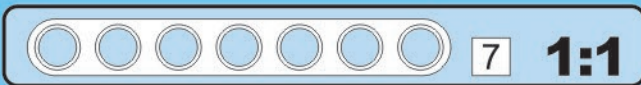
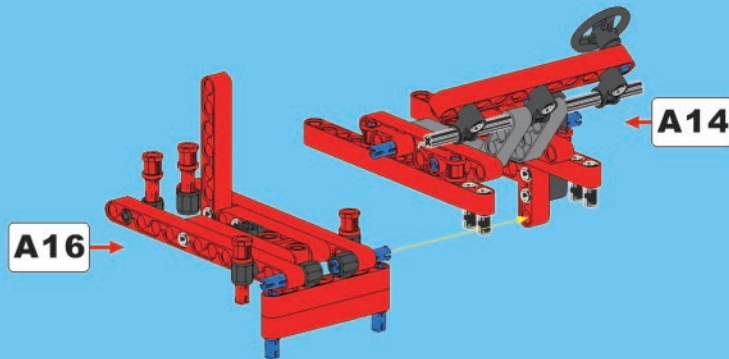


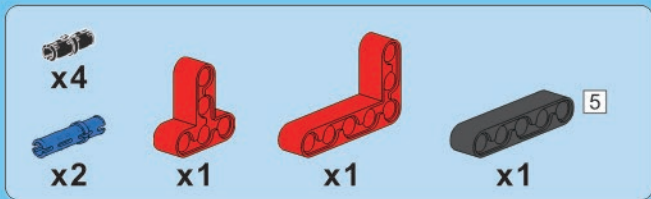


A16

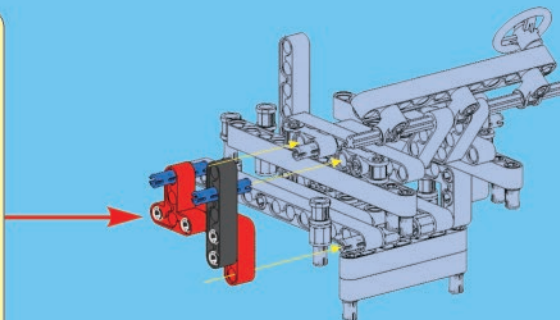
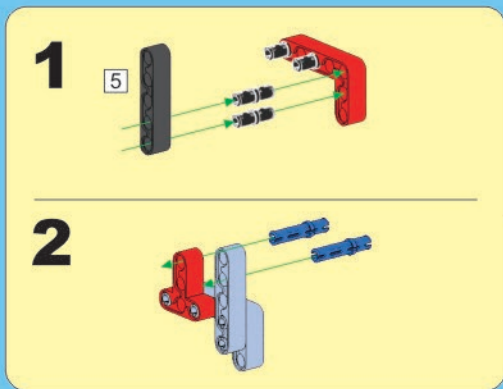


A17

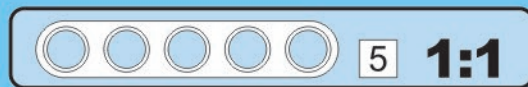
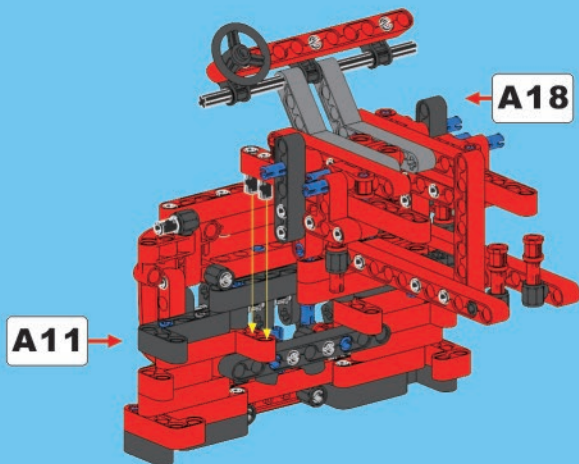


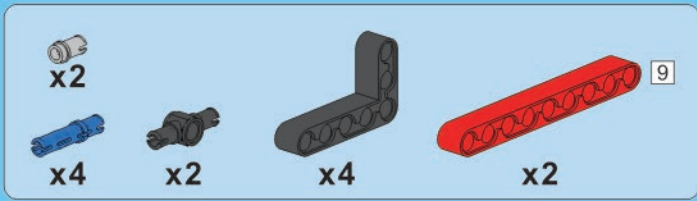


A18

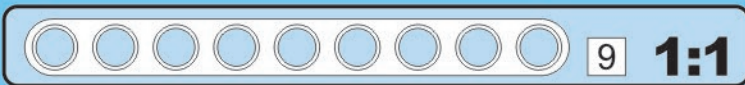
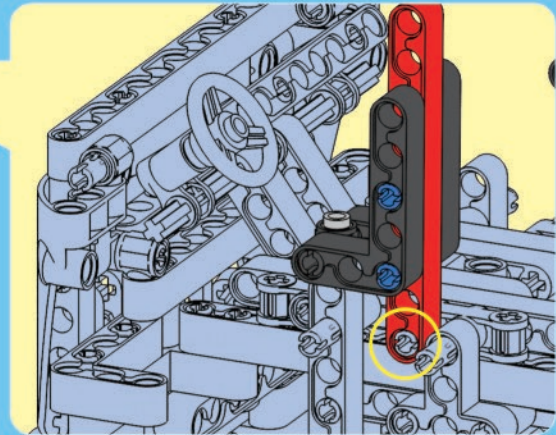
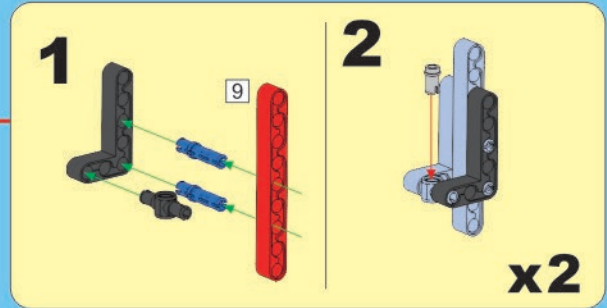
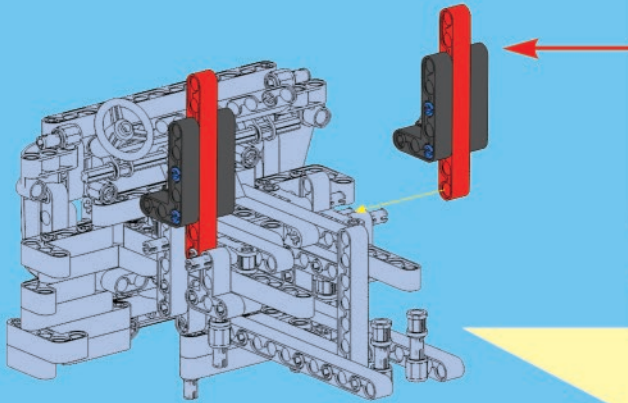


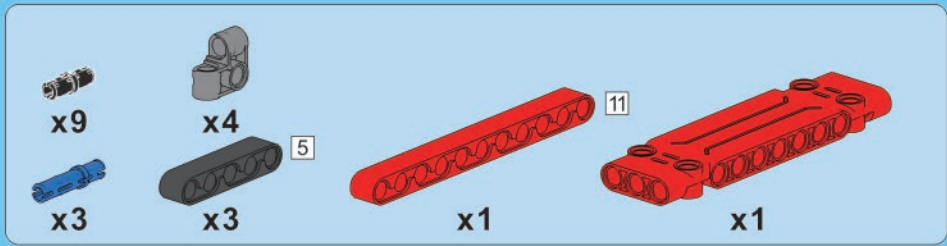
A19



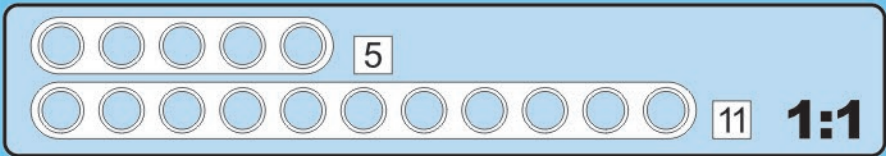
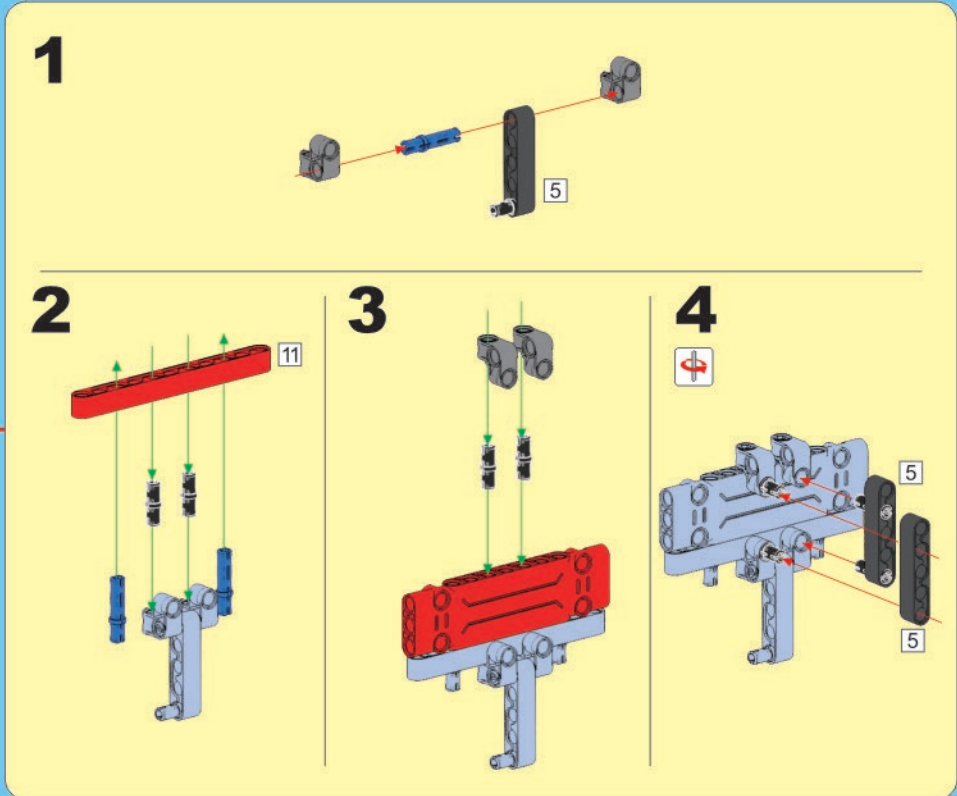
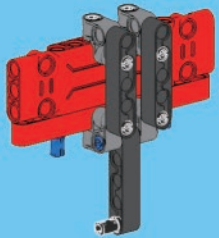


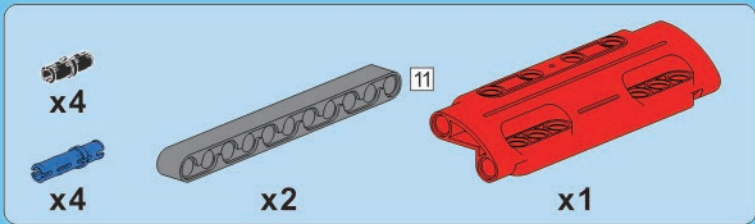
A20



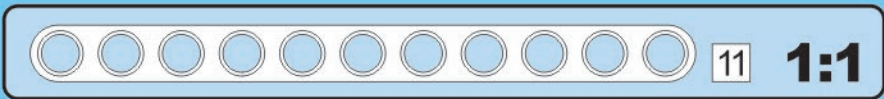
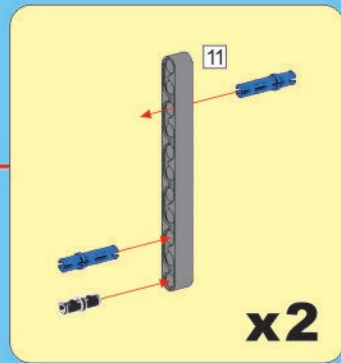
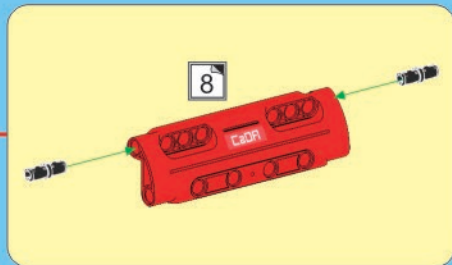
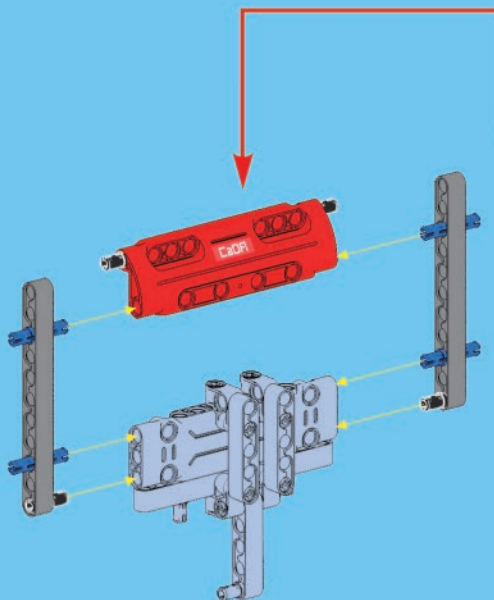
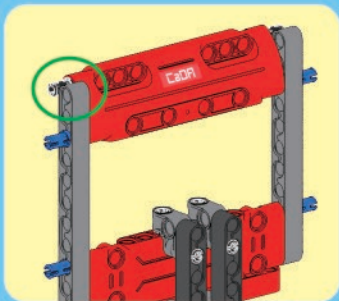


A21

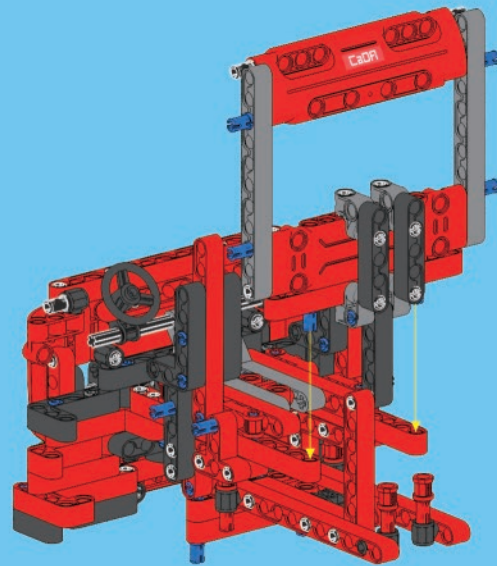
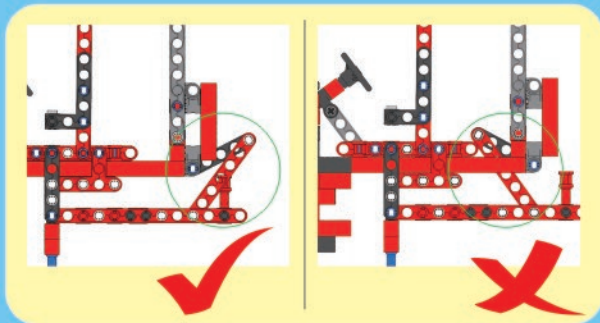
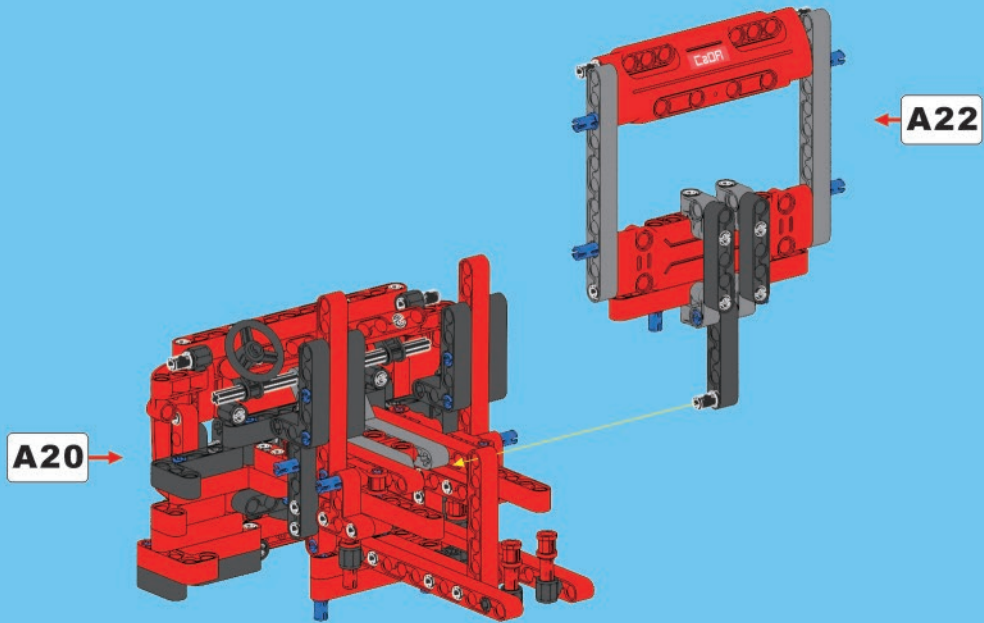


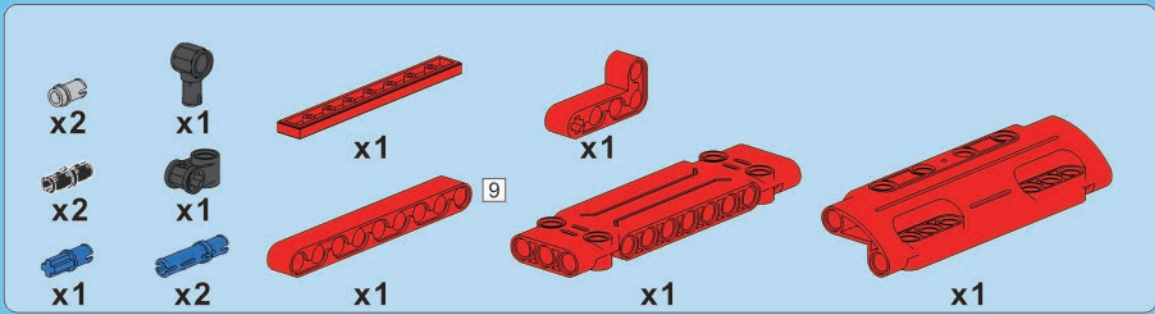


A22

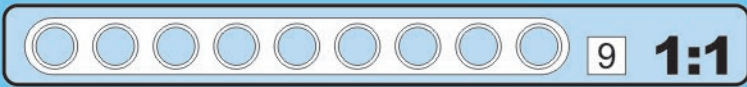
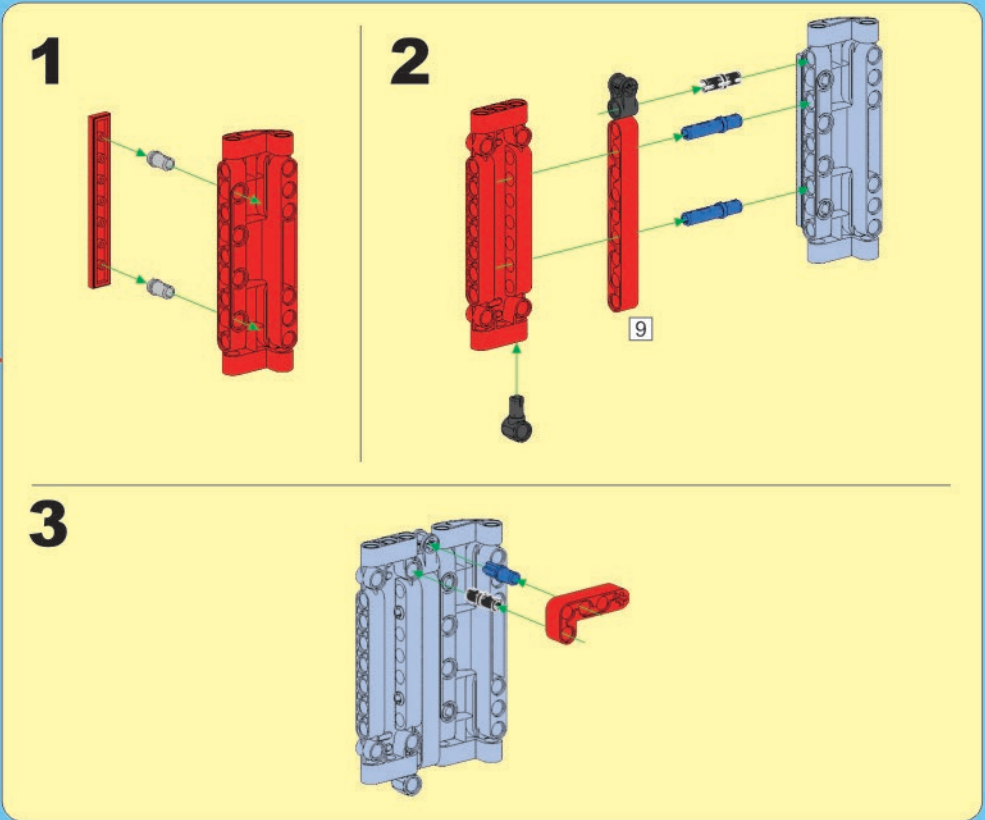
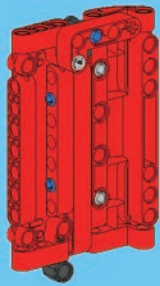


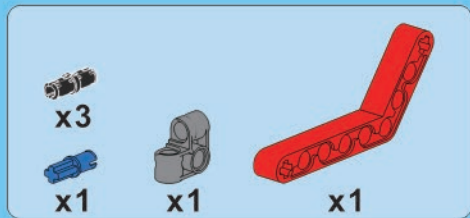
A23



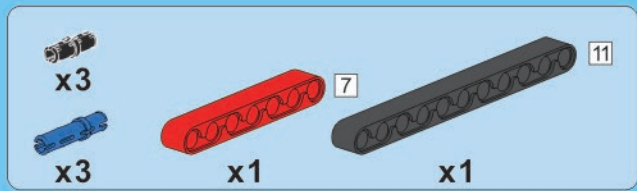
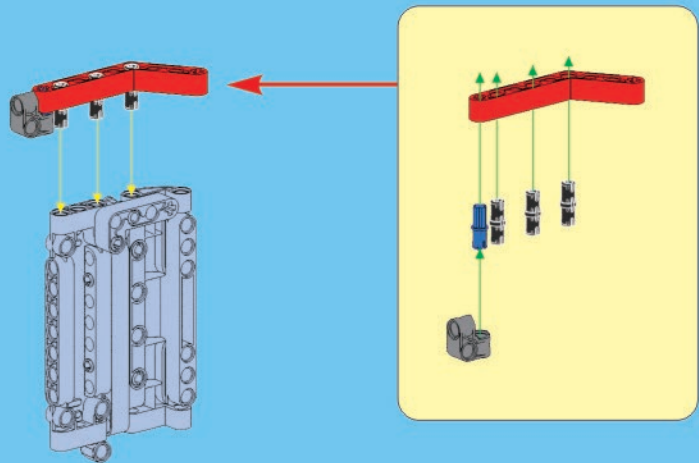


A24

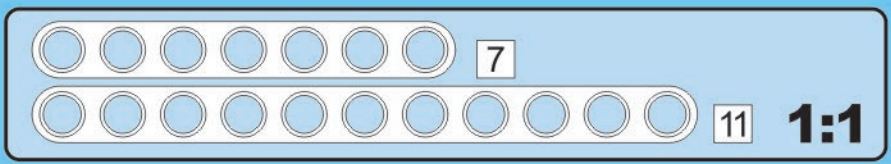
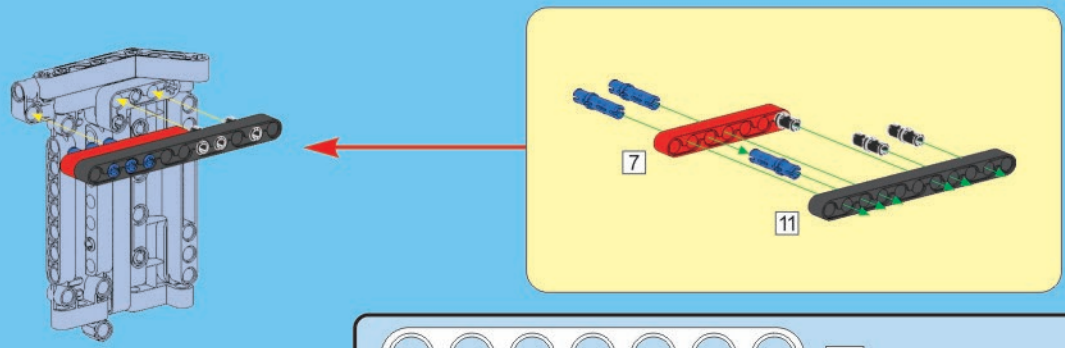


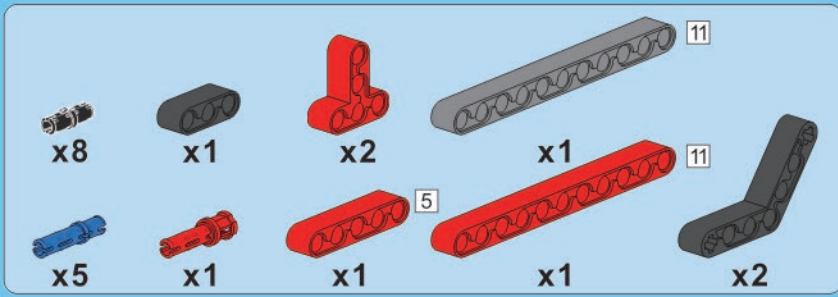


A25

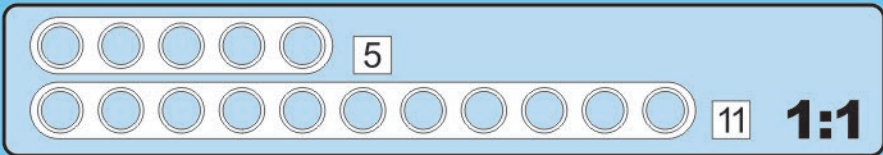
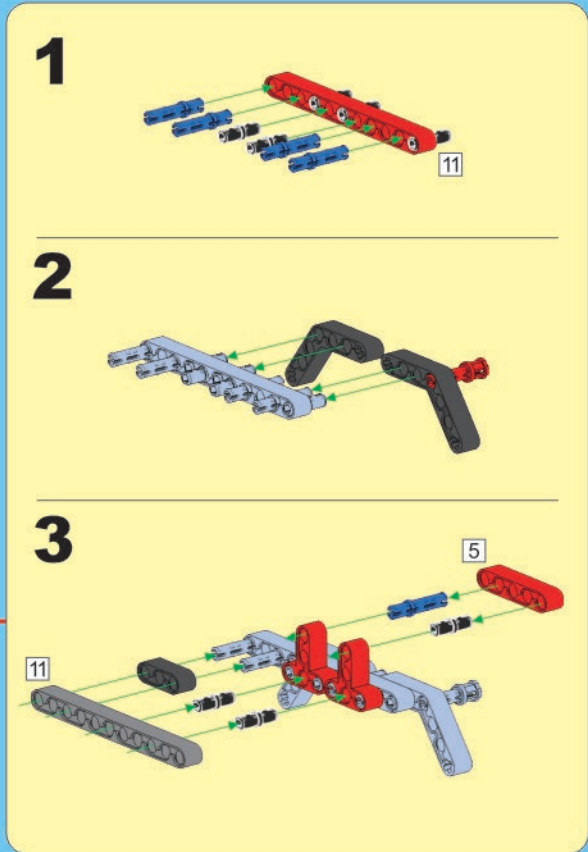
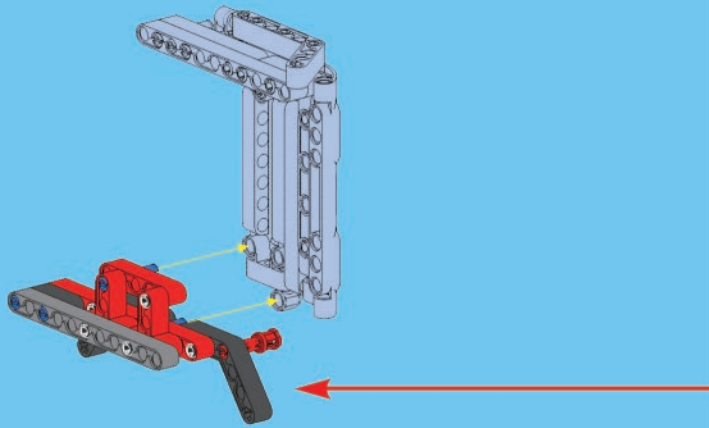


A26

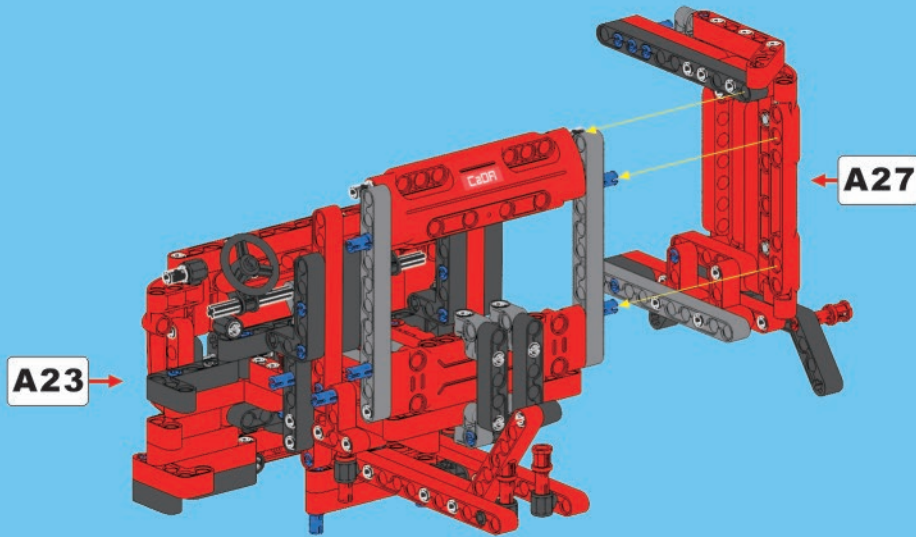


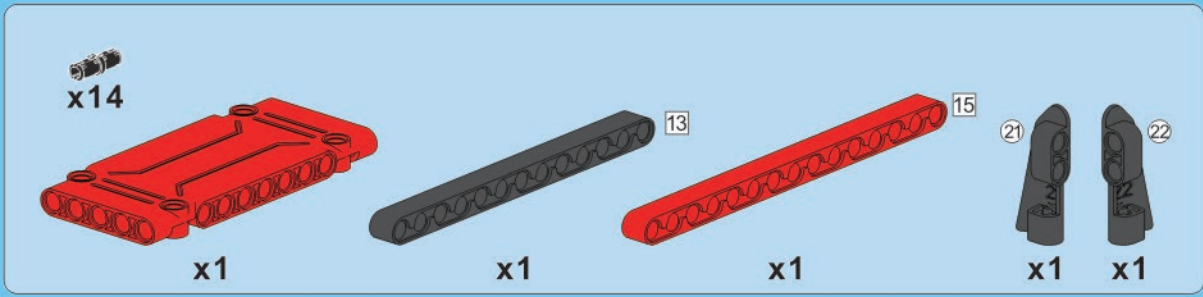


A27

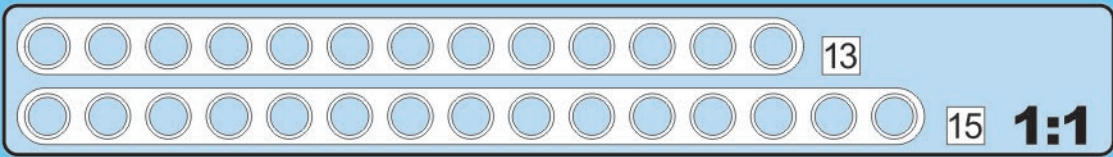
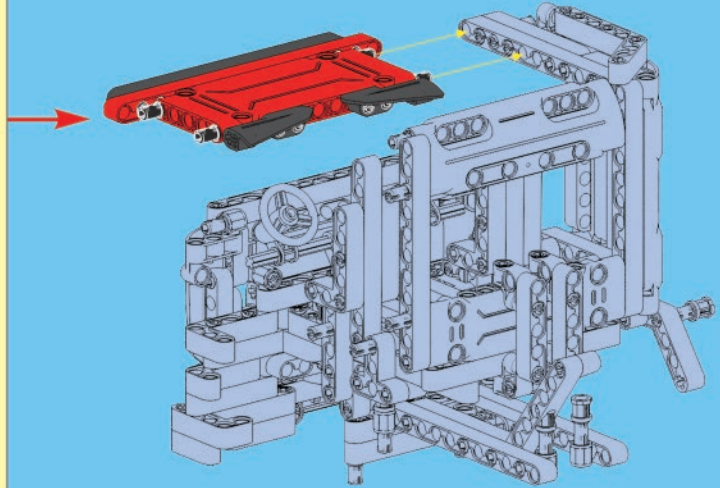
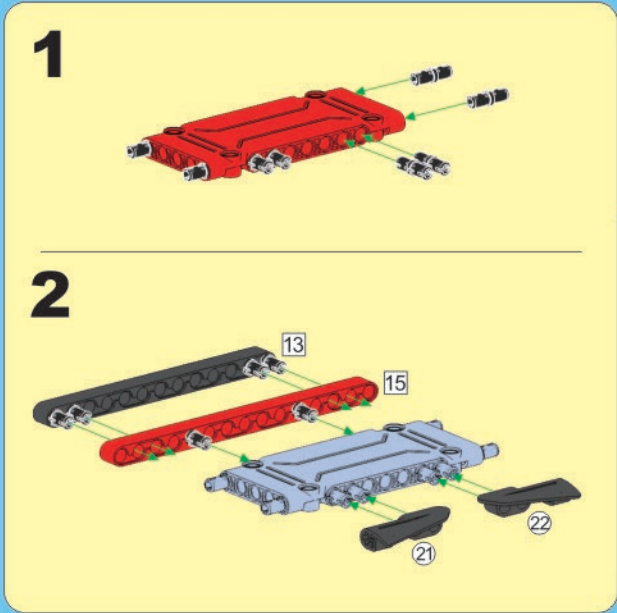


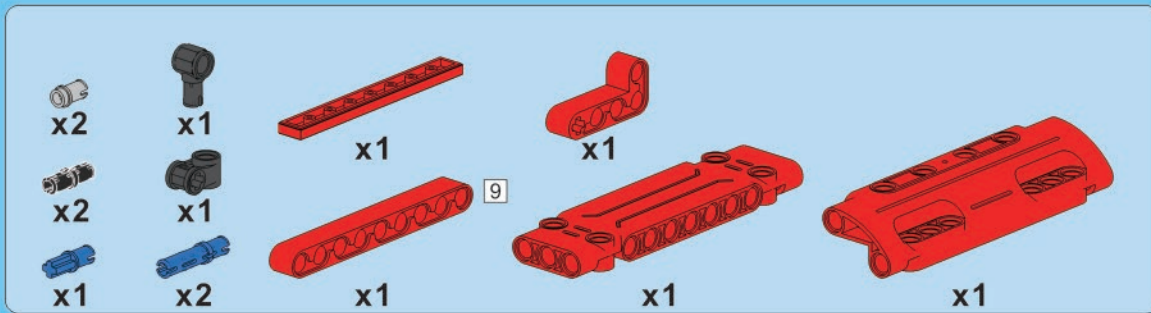
A28



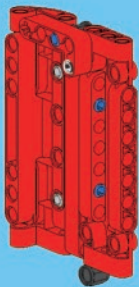


A29

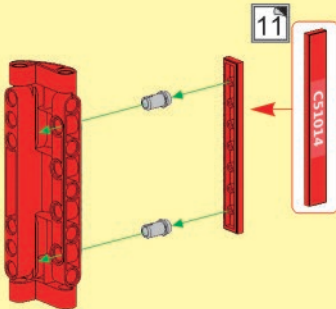




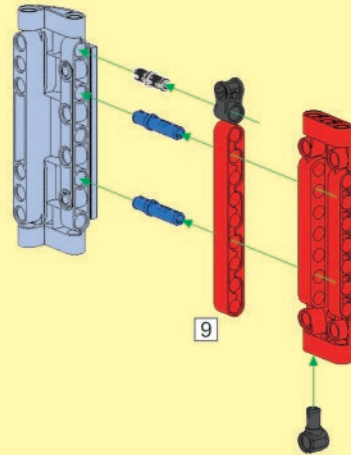
A30



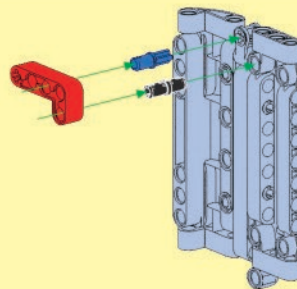
1

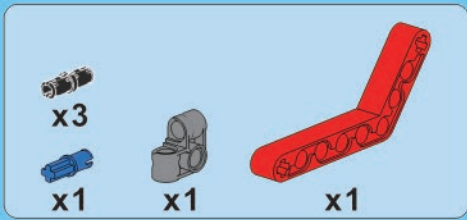


2

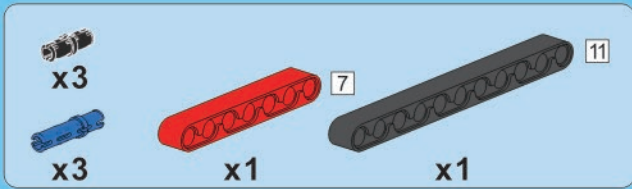
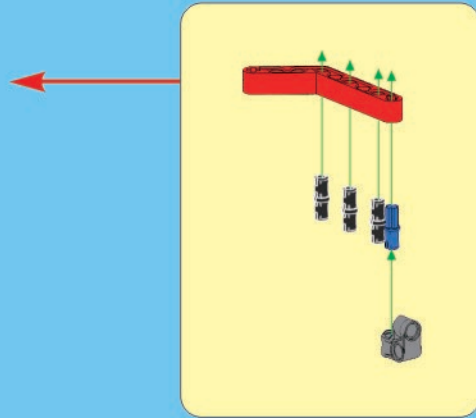
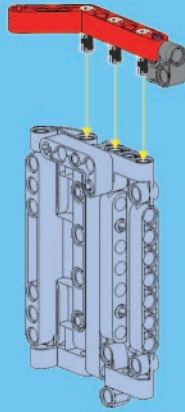


3

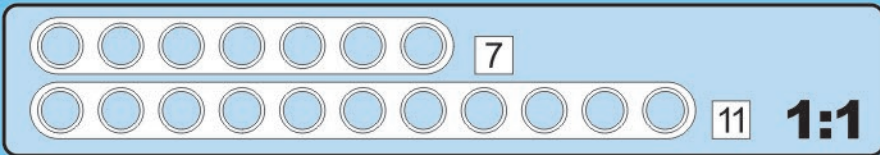
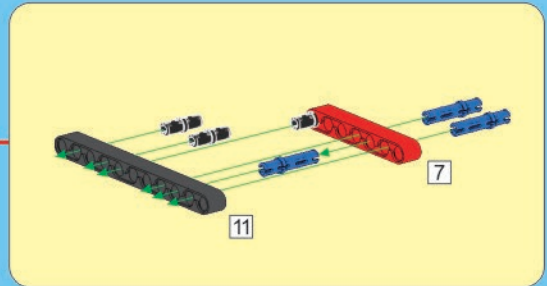
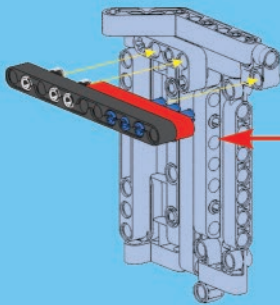


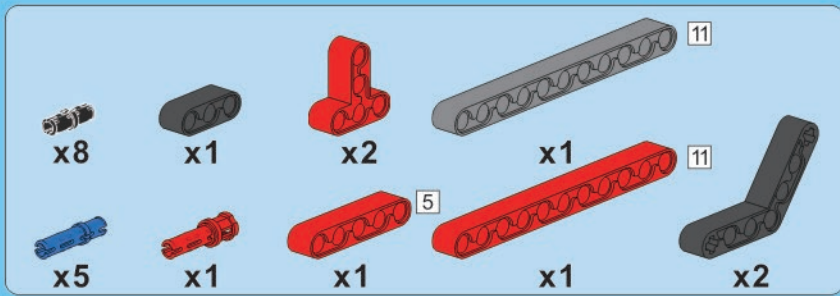


A31

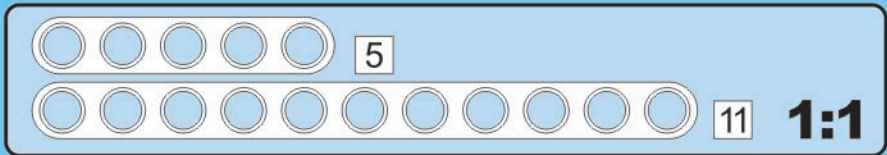
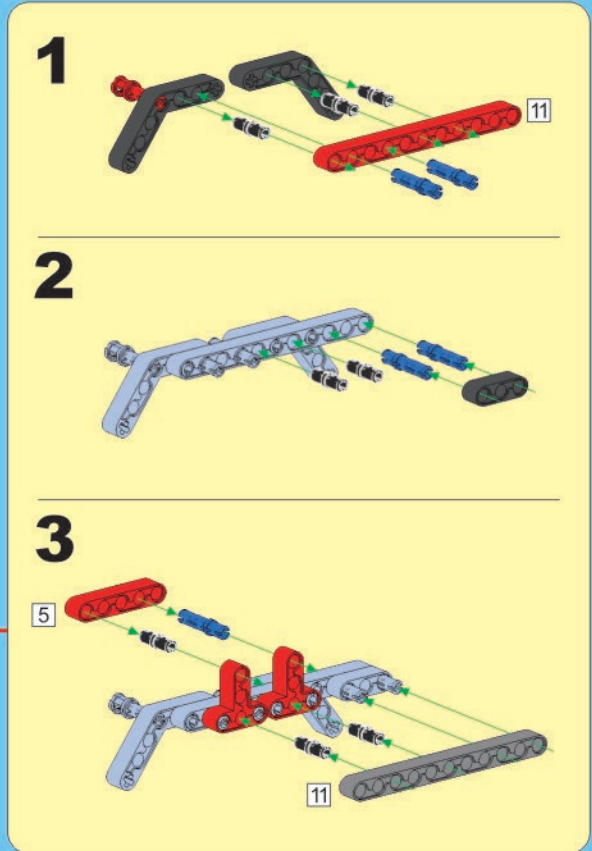
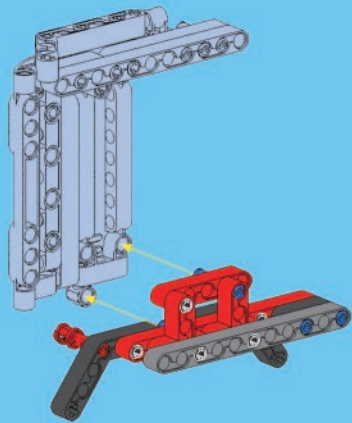


A32

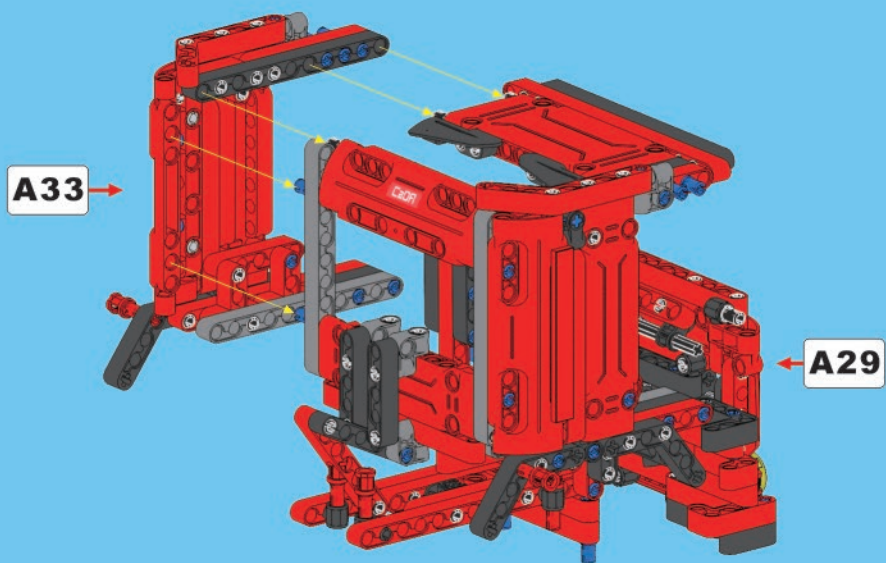


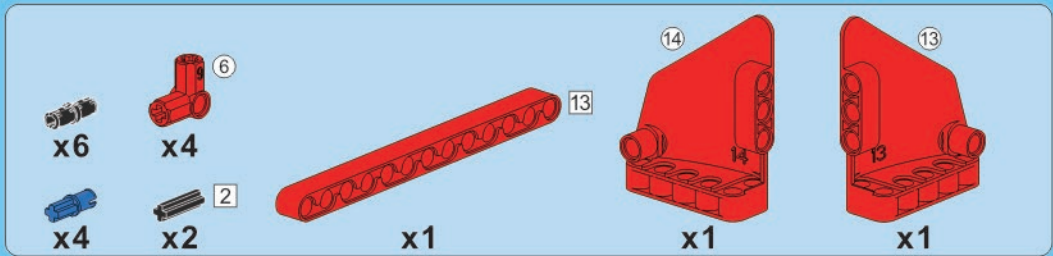


A33

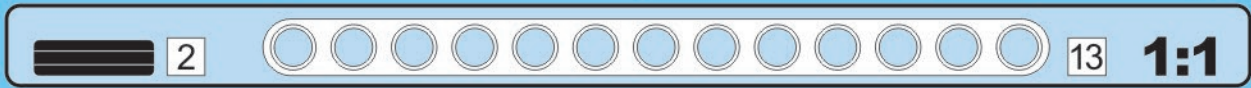
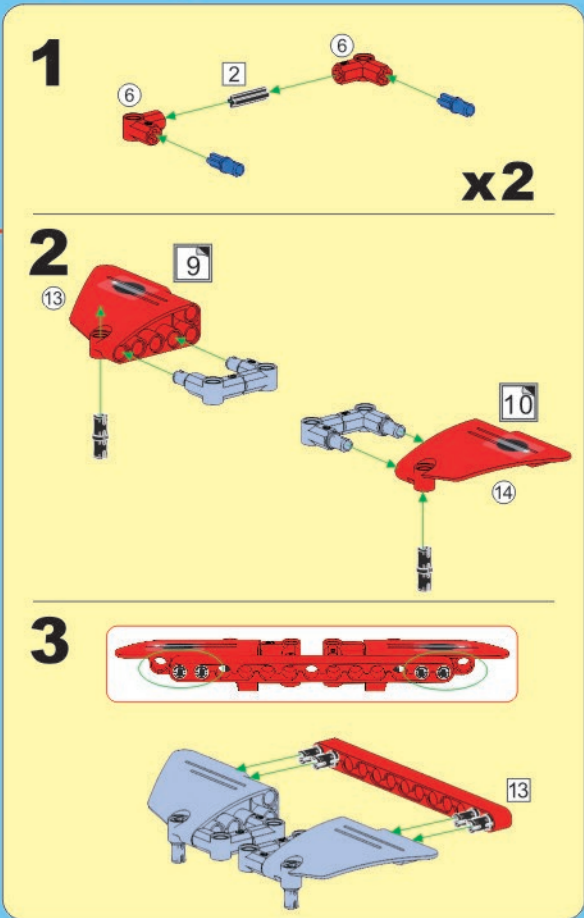
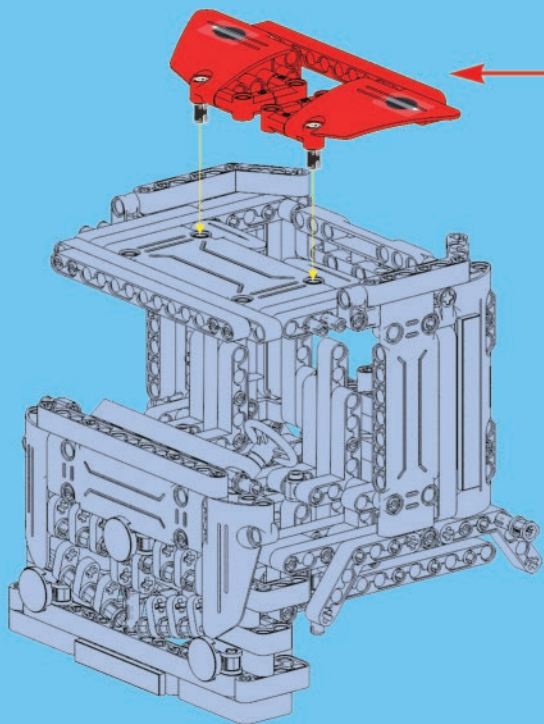


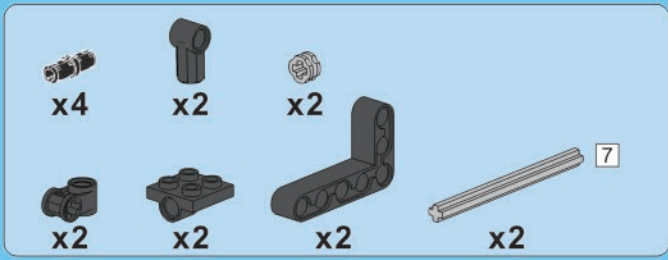
A34



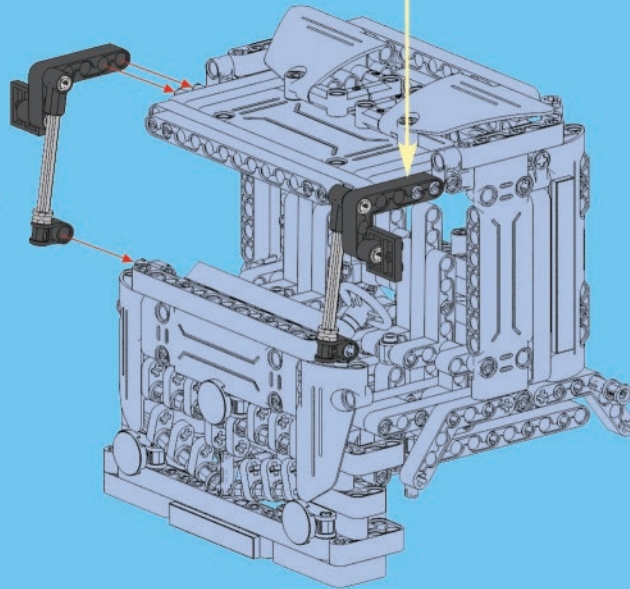
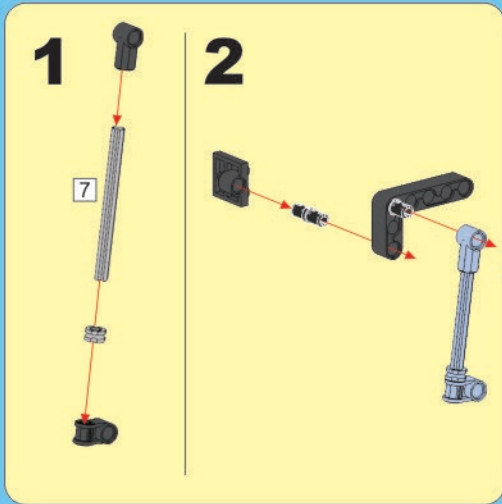
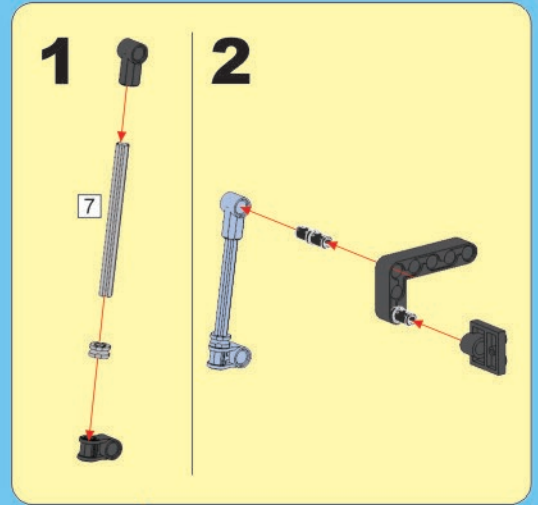


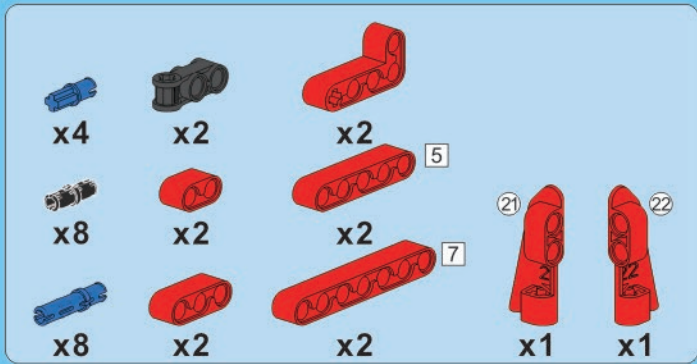
A35



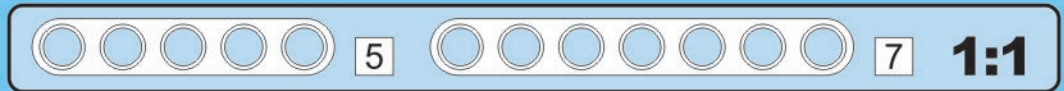
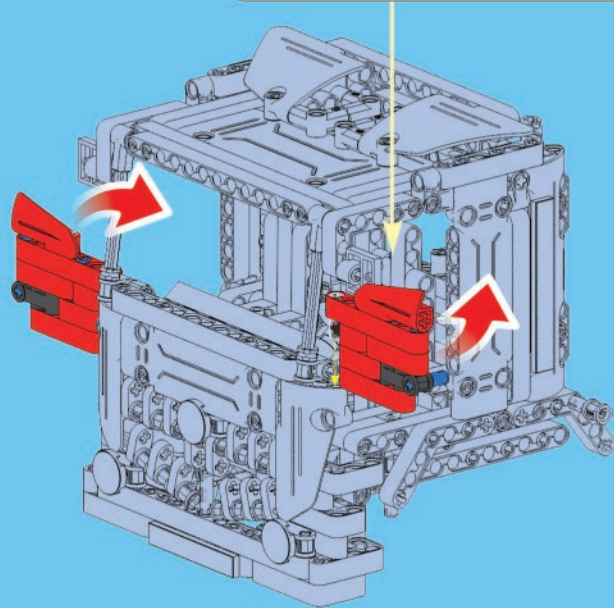
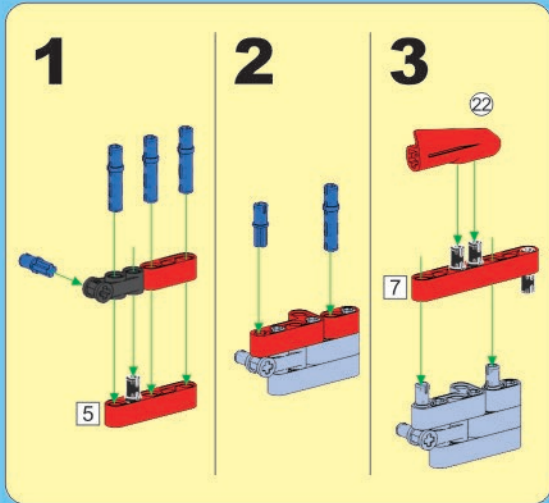
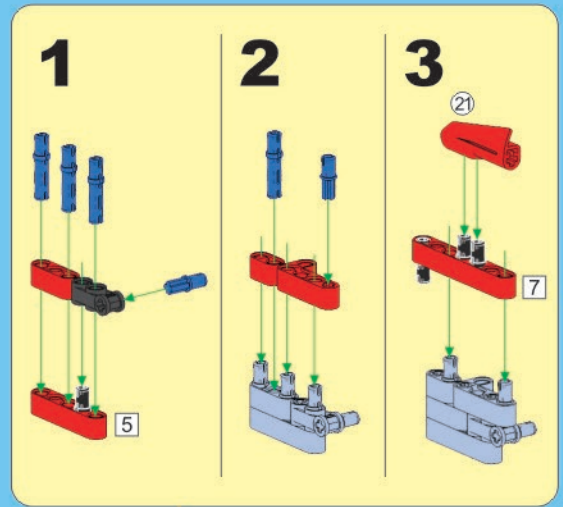


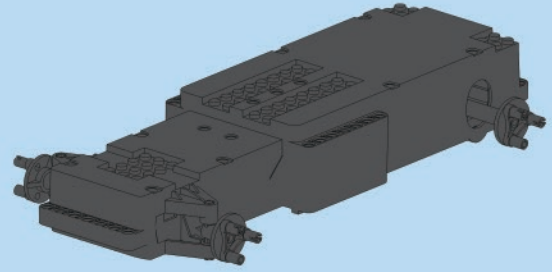
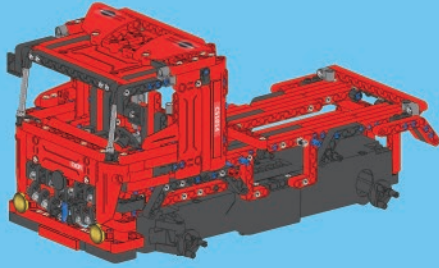
A36





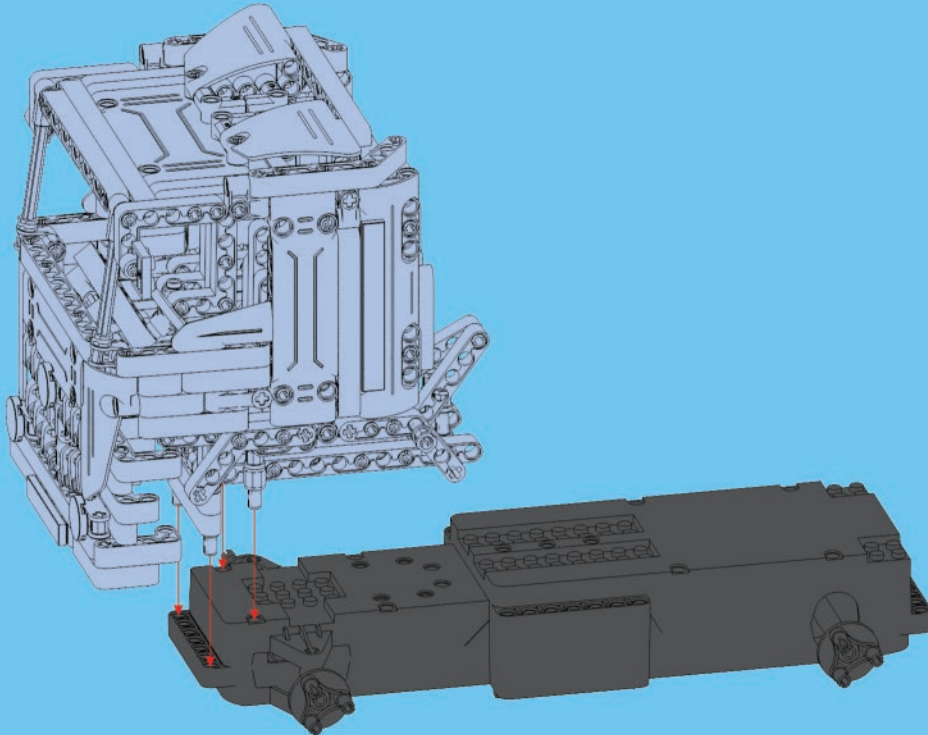
A37



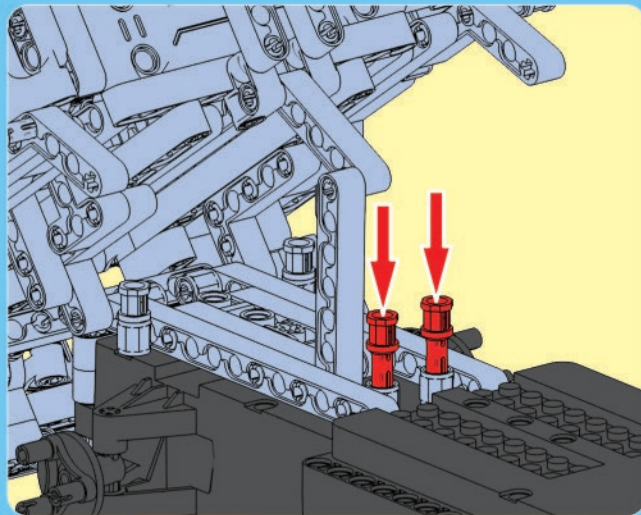
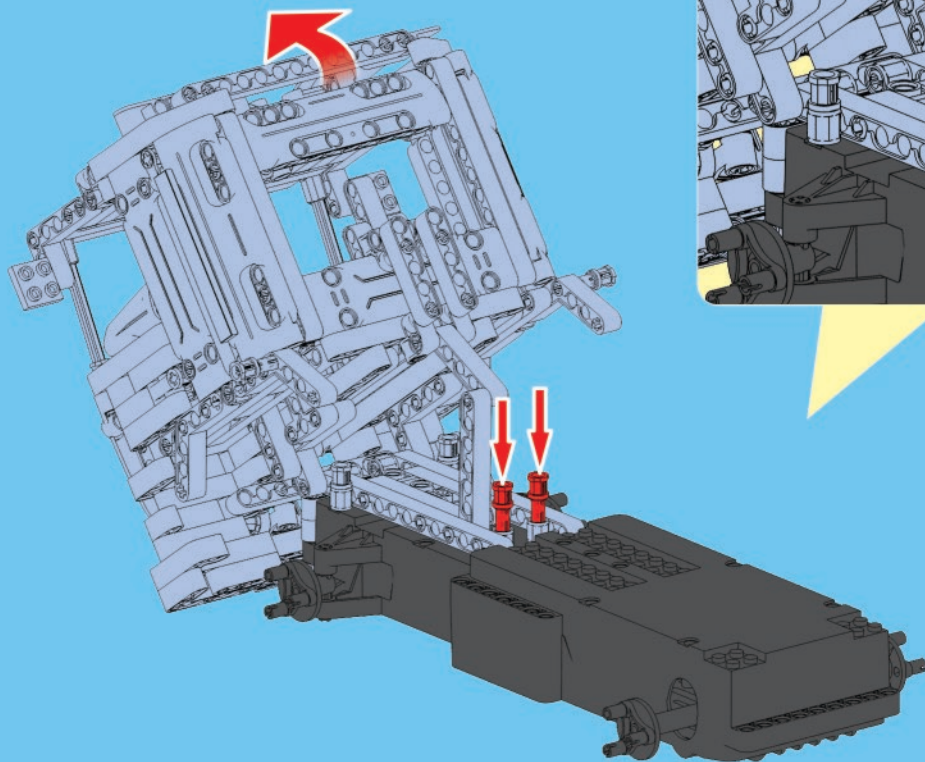


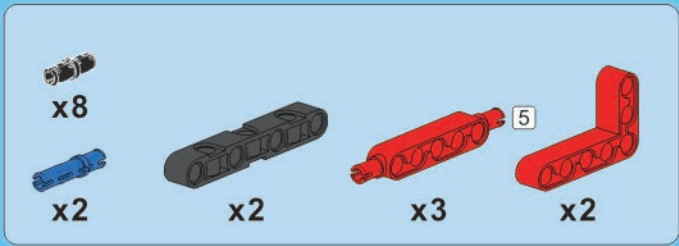
x1

B1

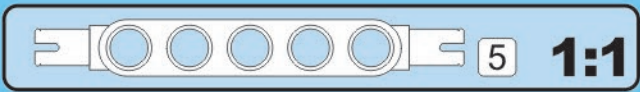
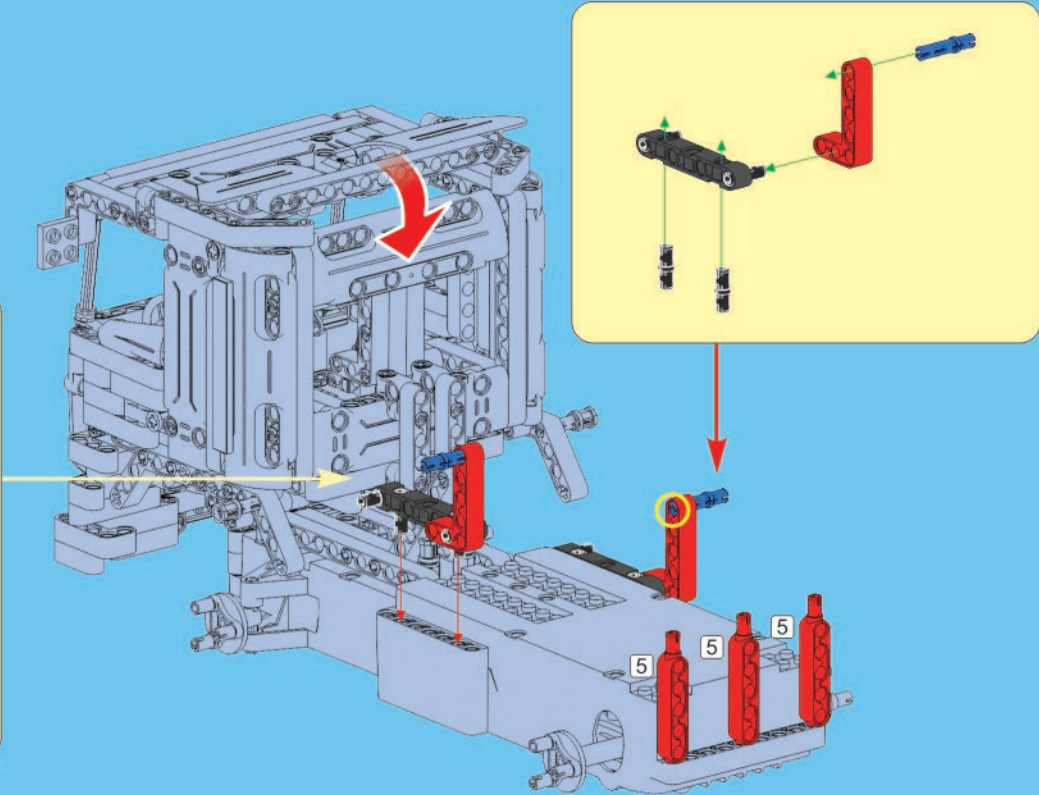
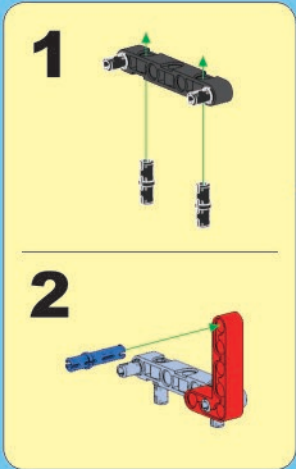


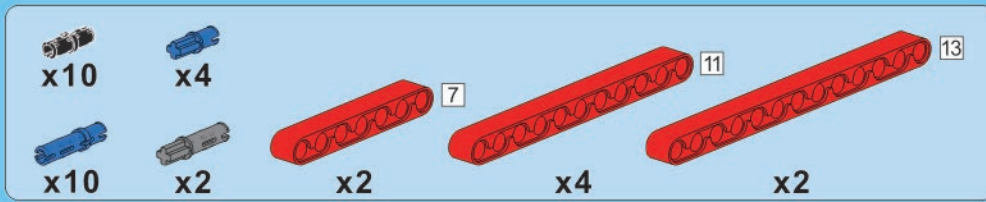
B2



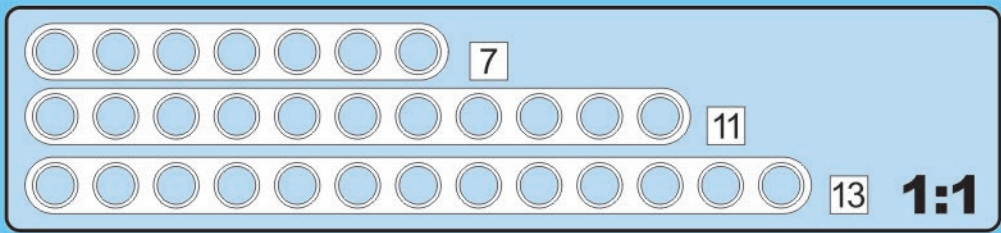
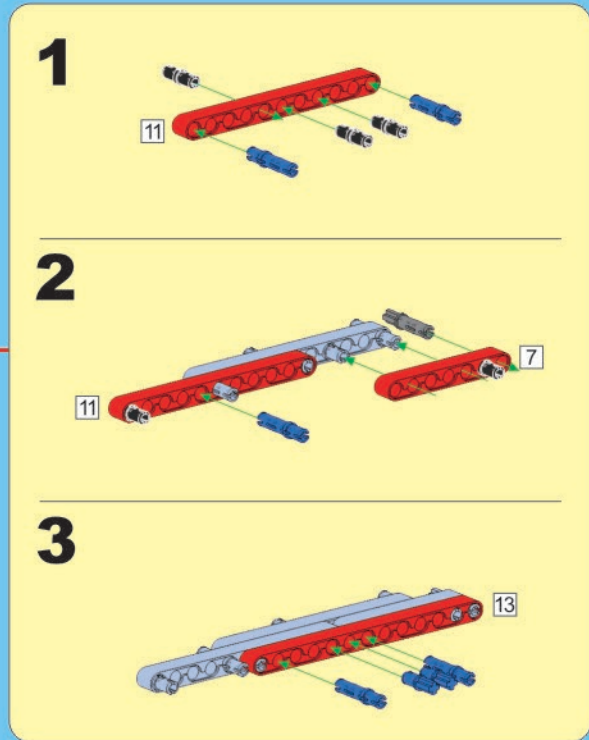
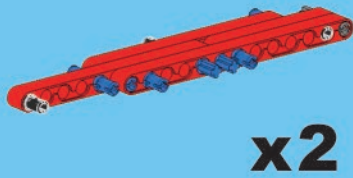


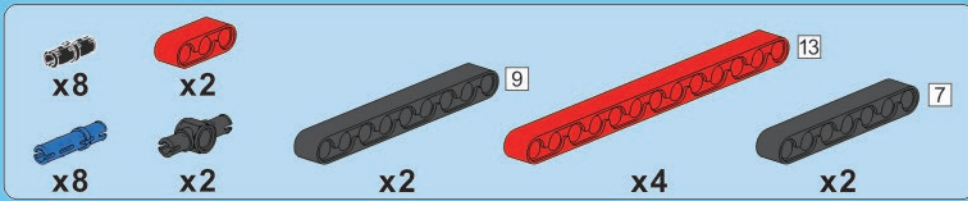
B3



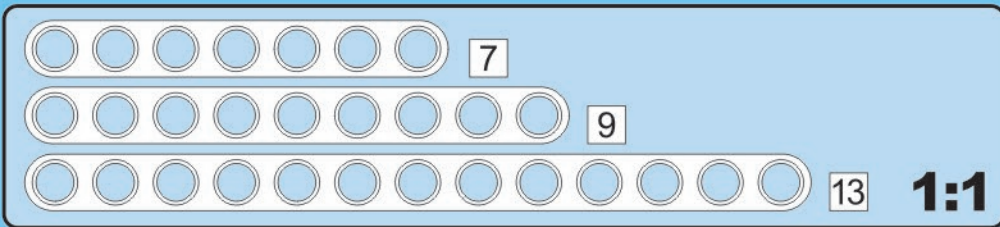
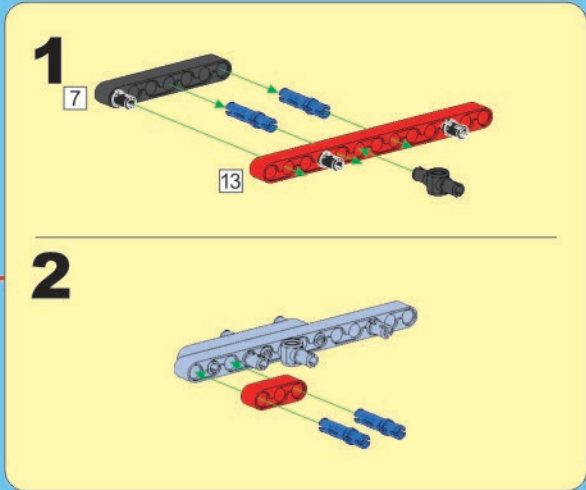
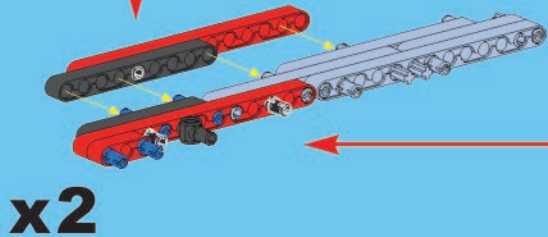
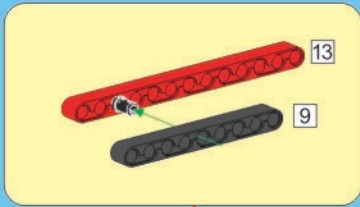


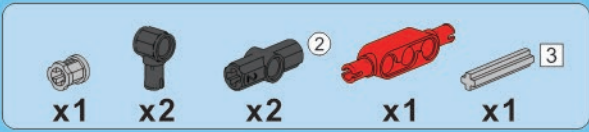
B4



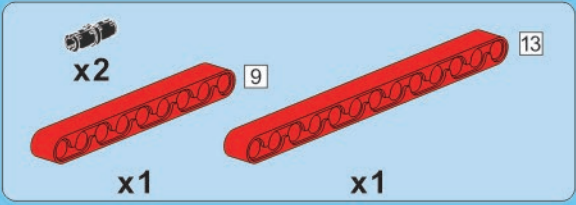
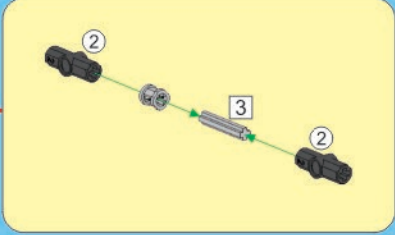
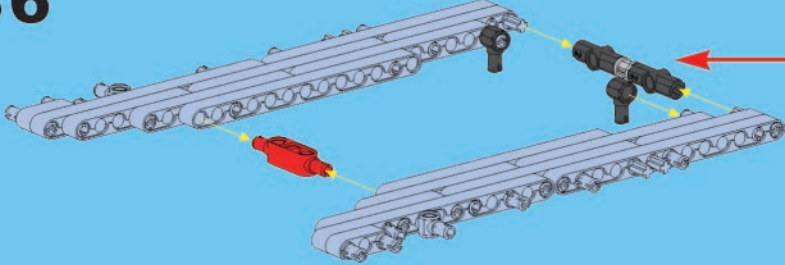


B5

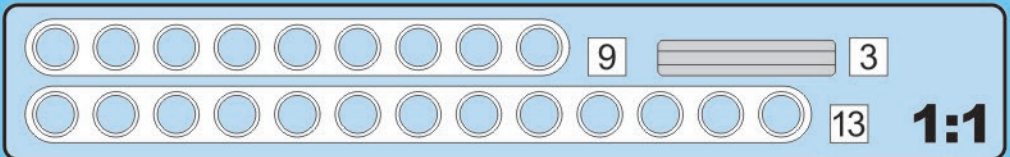
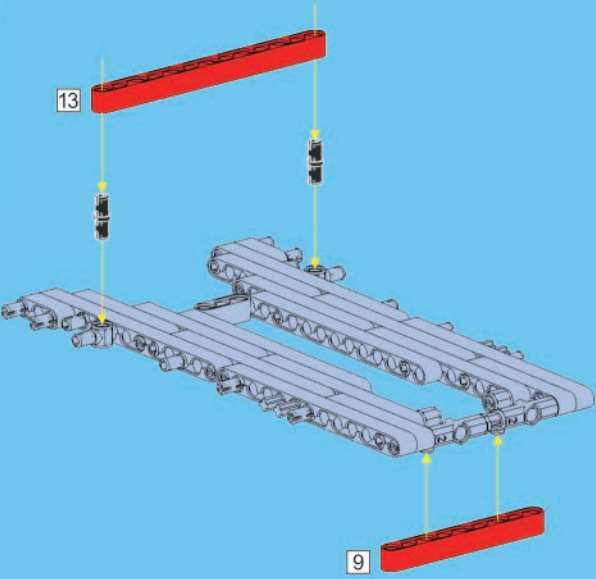


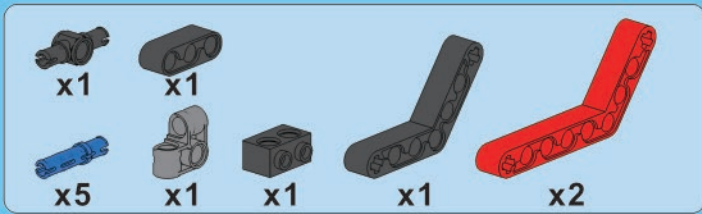


B6

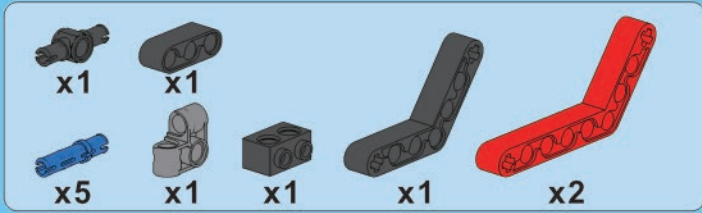
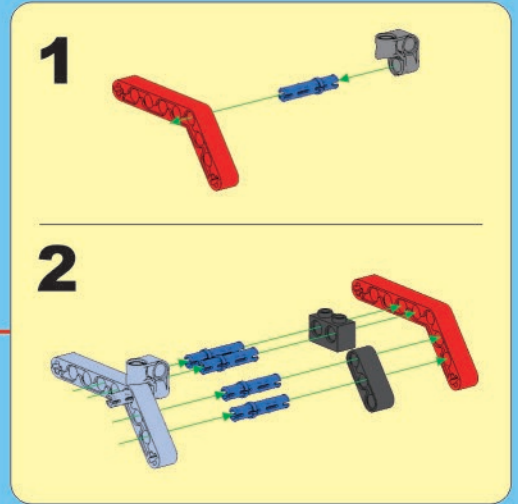
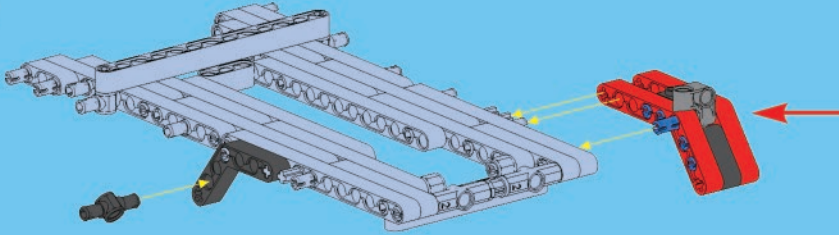


B7

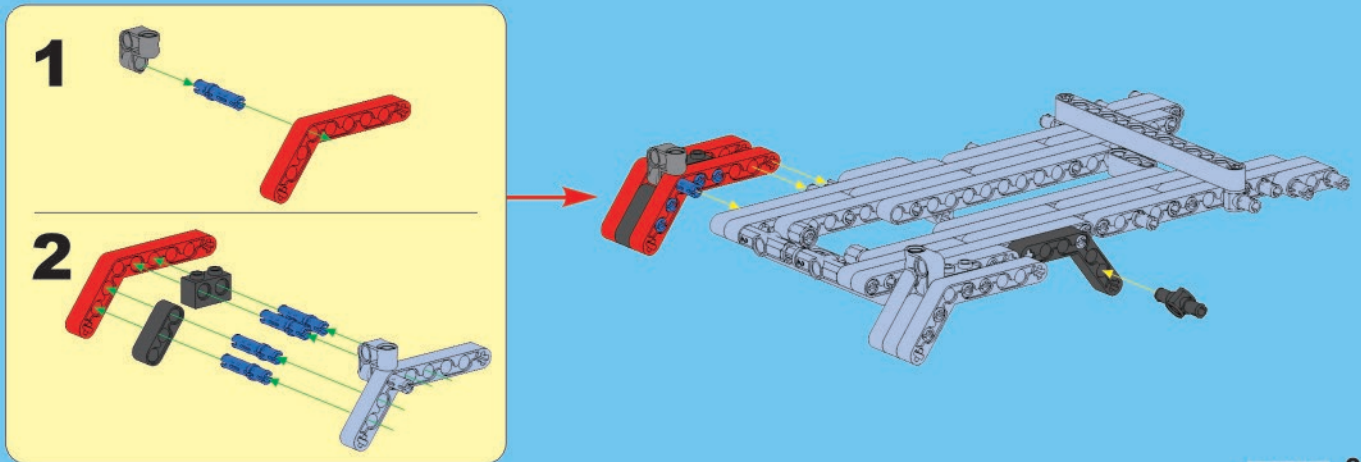


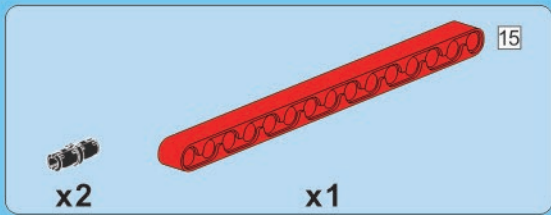


B8

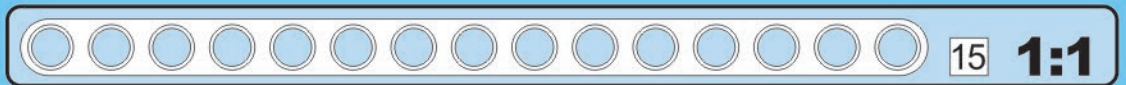
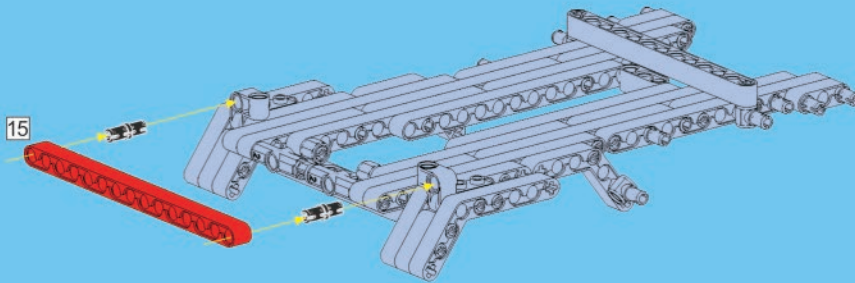


B9

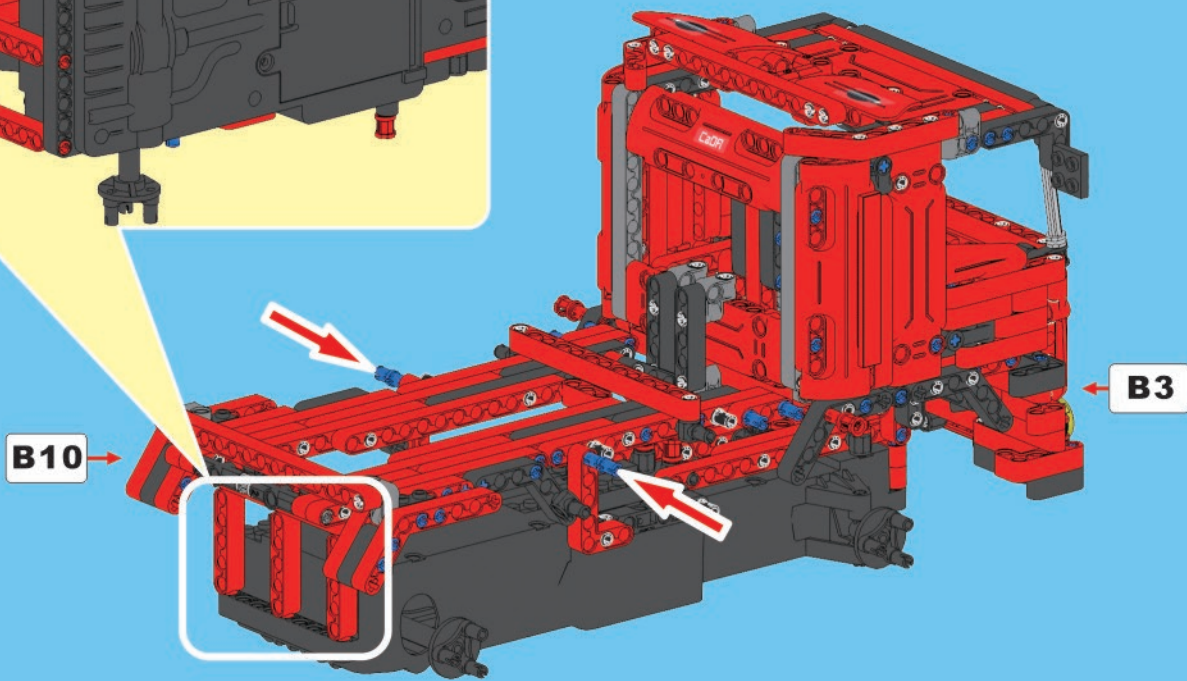
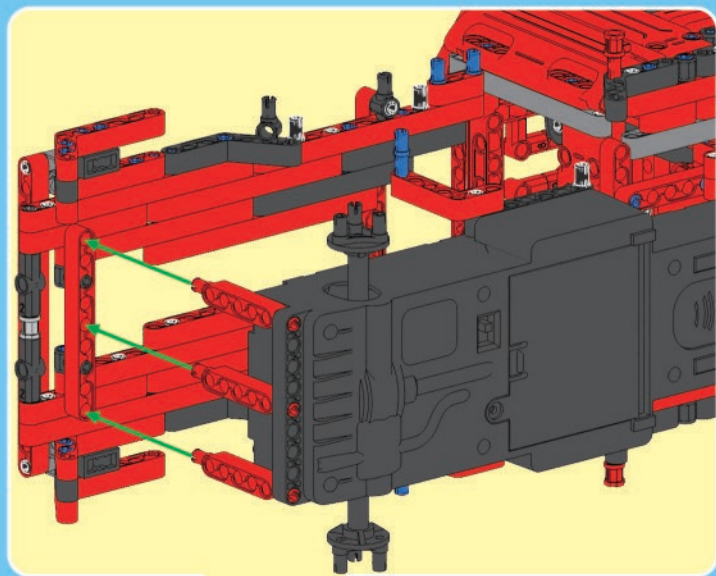


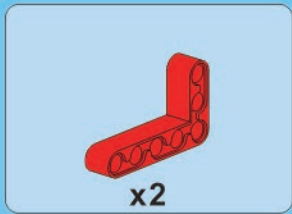


B10

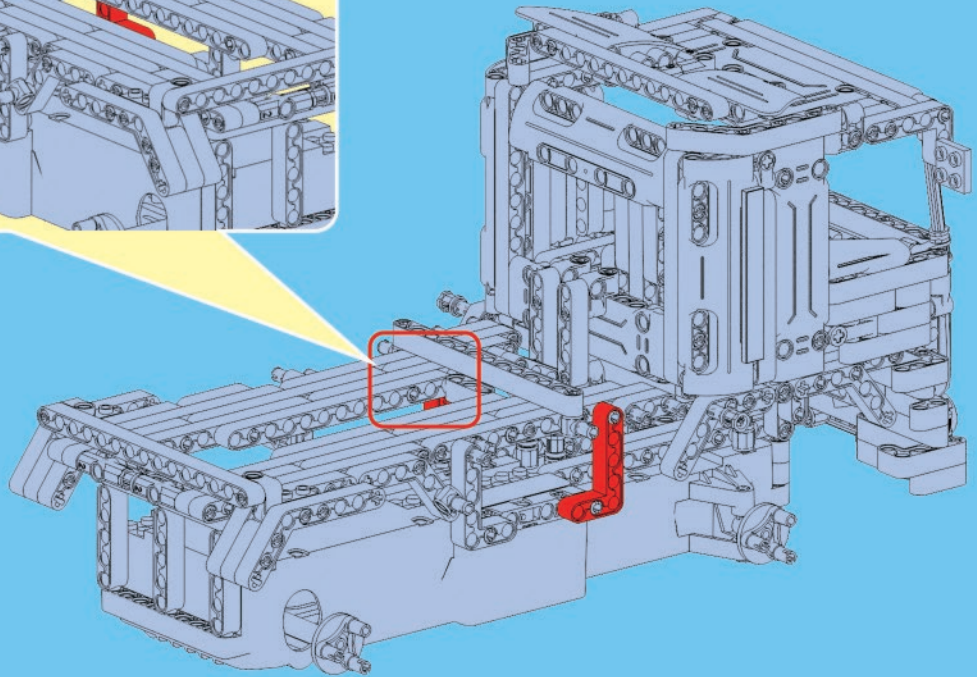
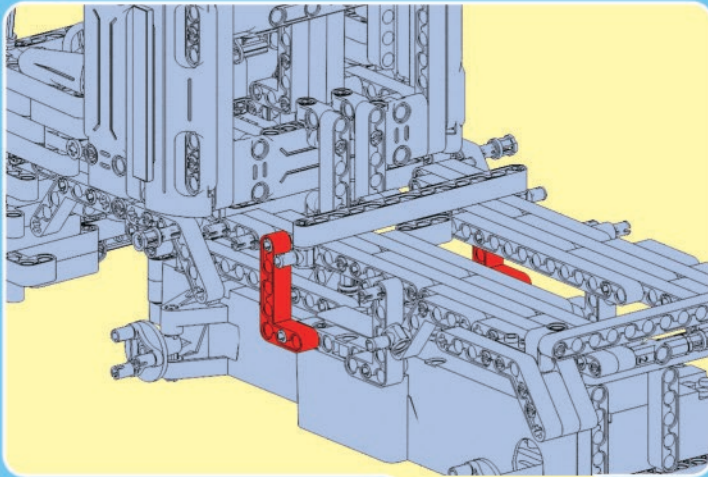


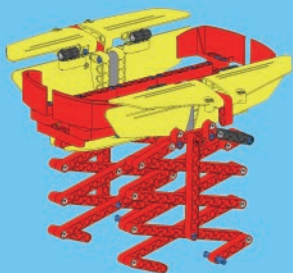
B11





B12

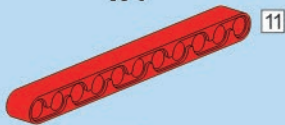




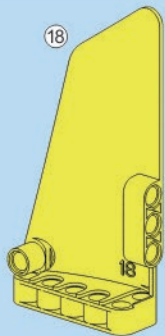
x8



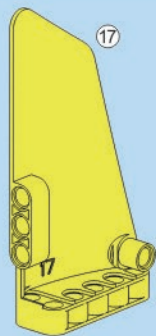
x4



x2

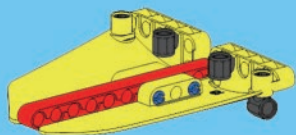


x2



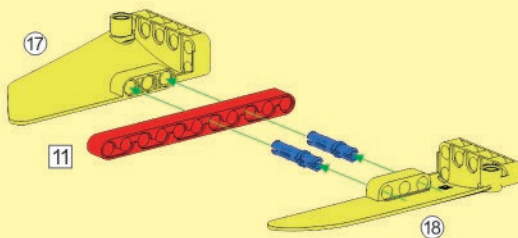
x2

C1

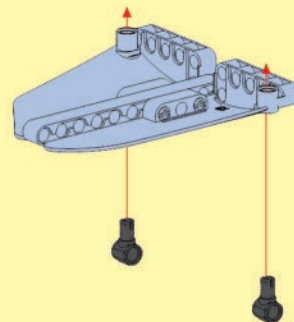


x2

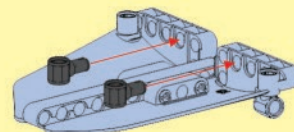
1



2

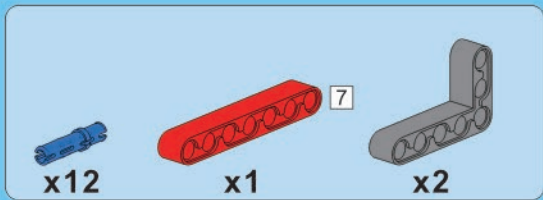


3

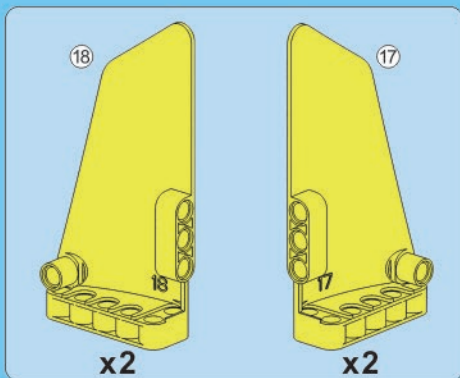
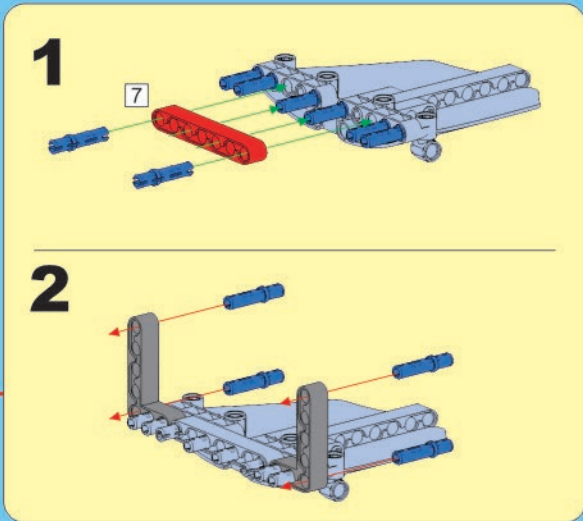
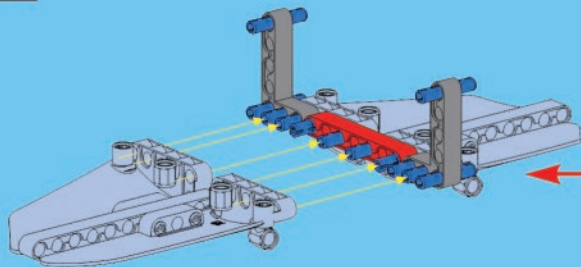


11

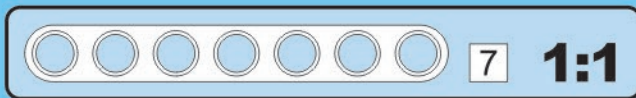
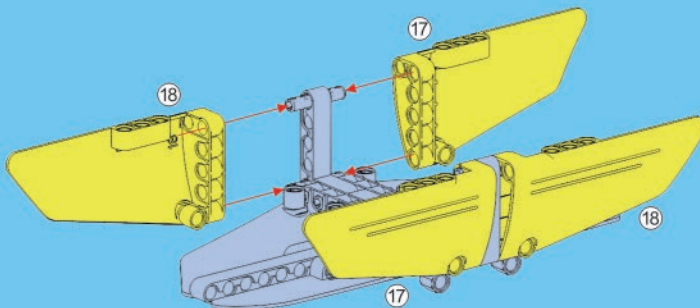
1:1



C2

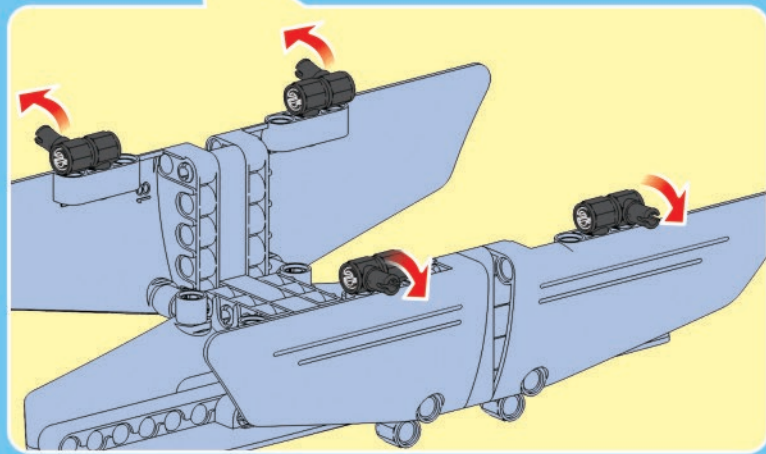
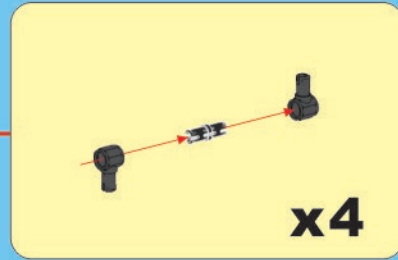
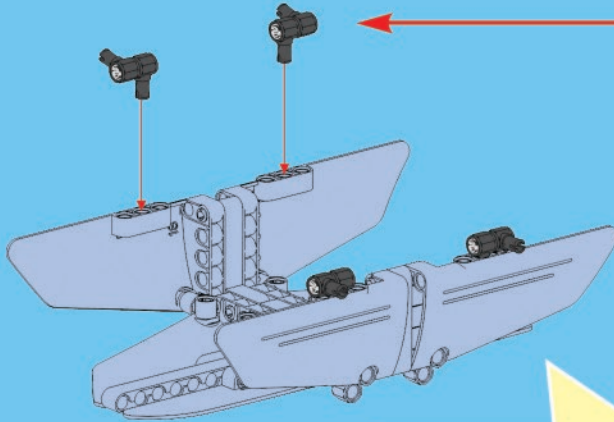


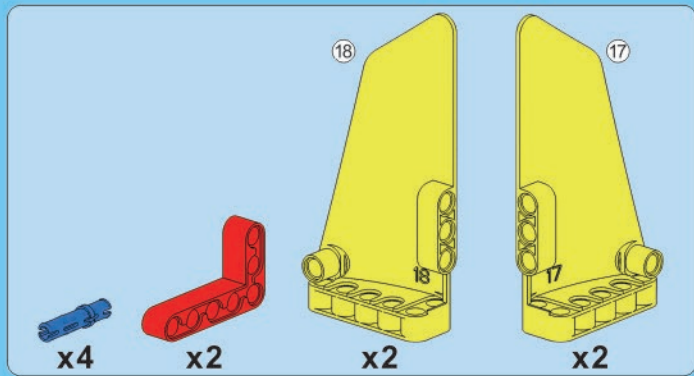
C3



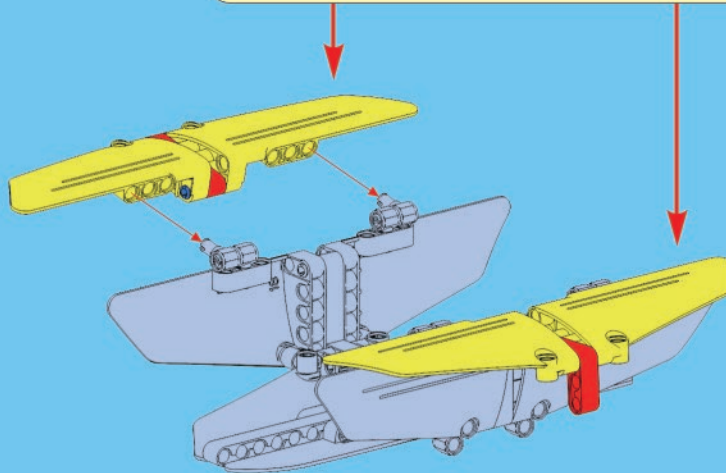
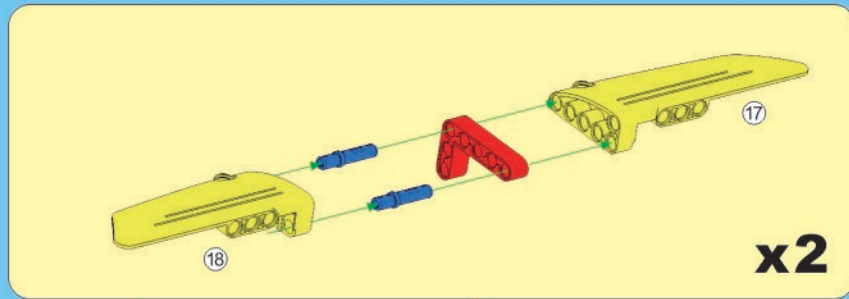


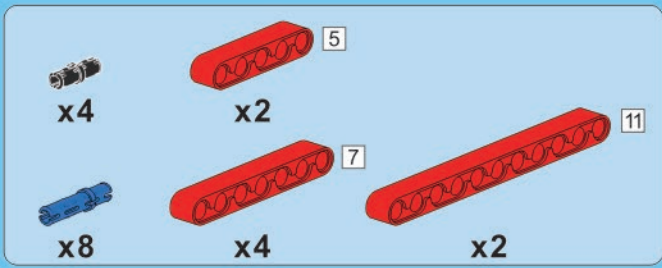
C4



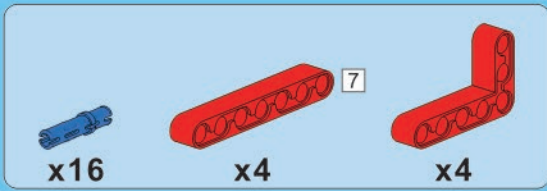
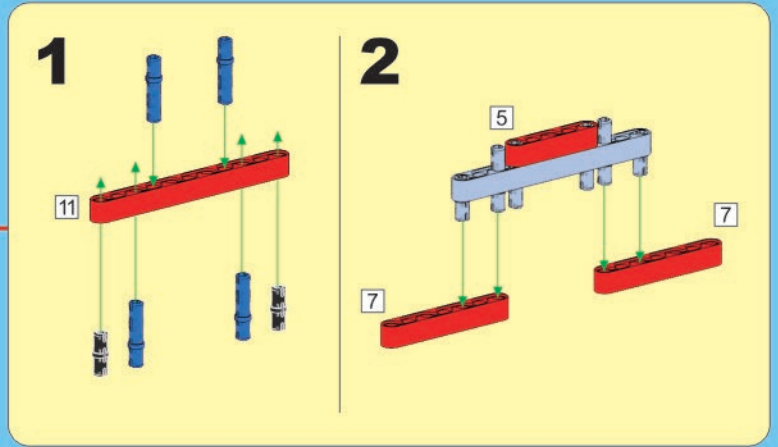
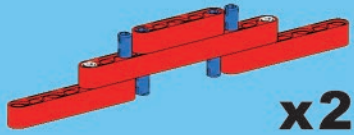


C5

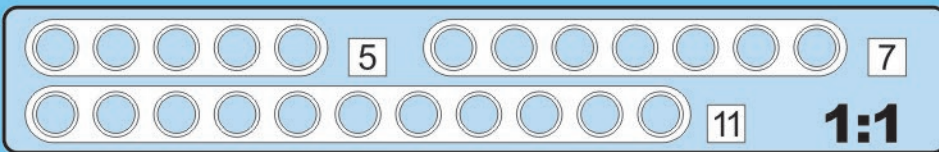
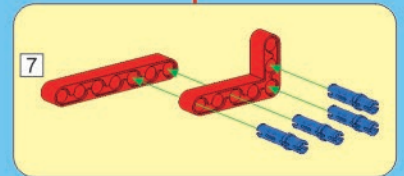
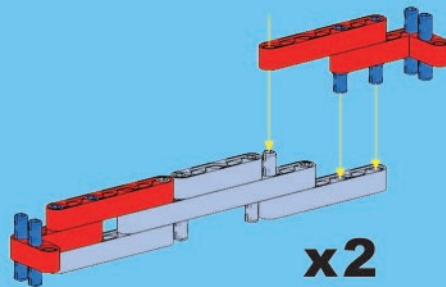
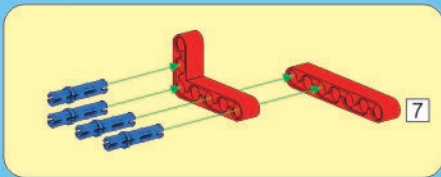


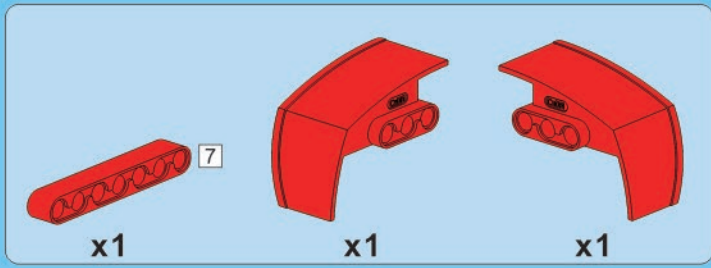


C6

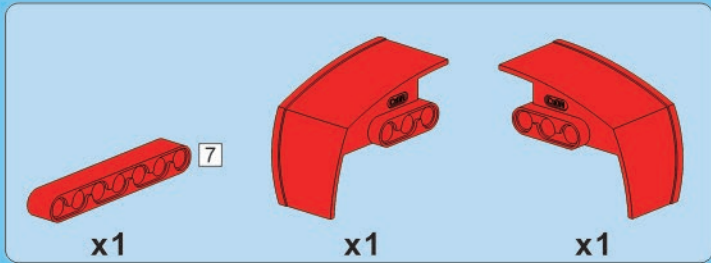
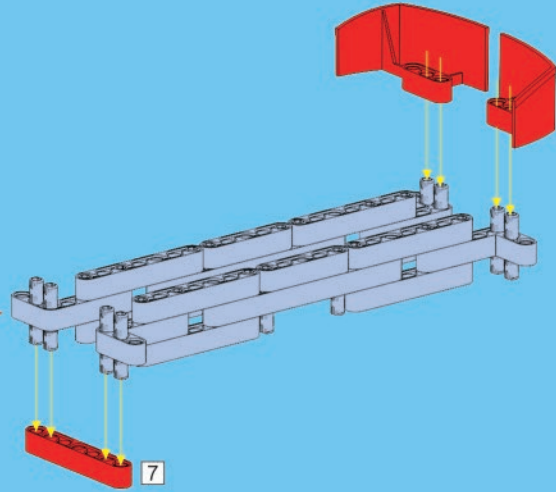
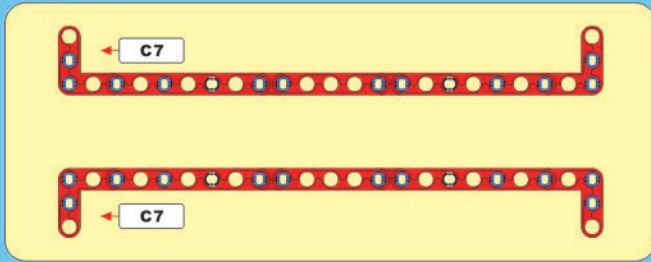


C7

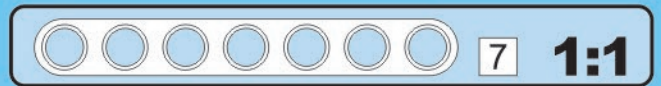
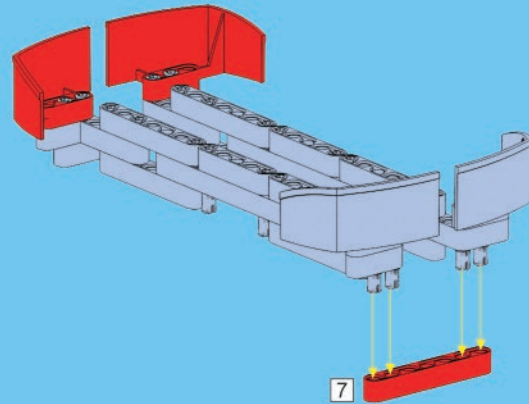




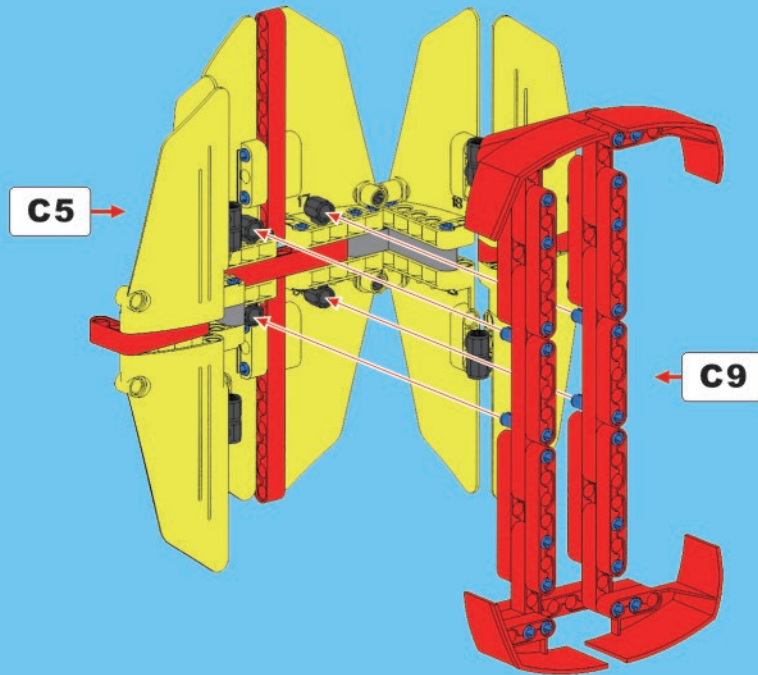
C8

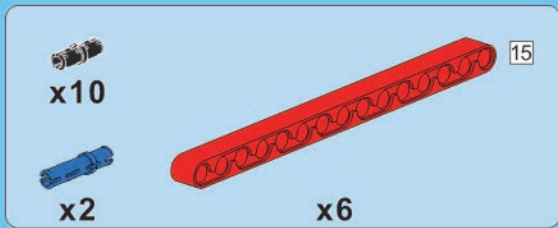


C9

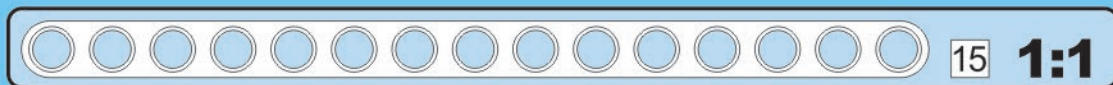
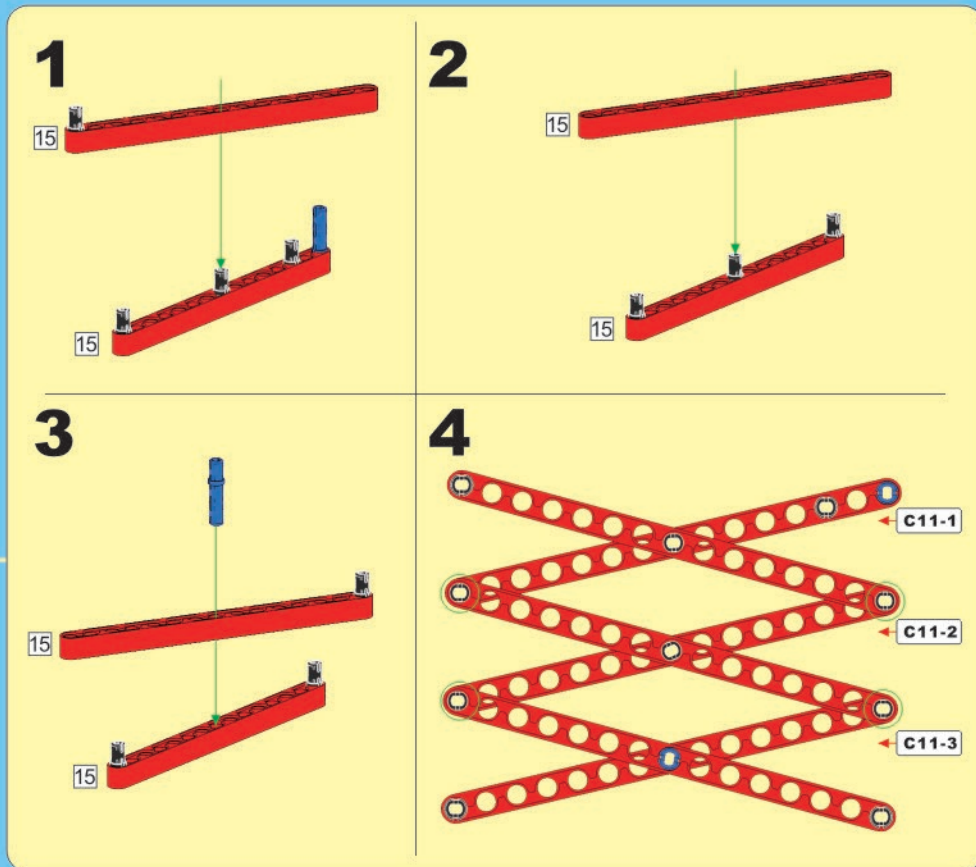


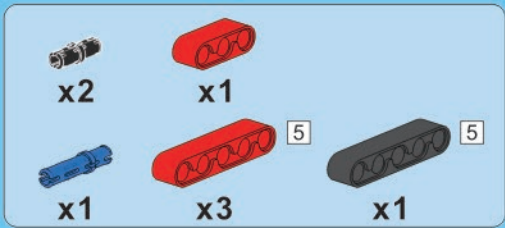
C10



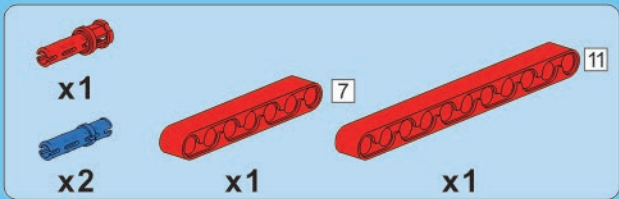
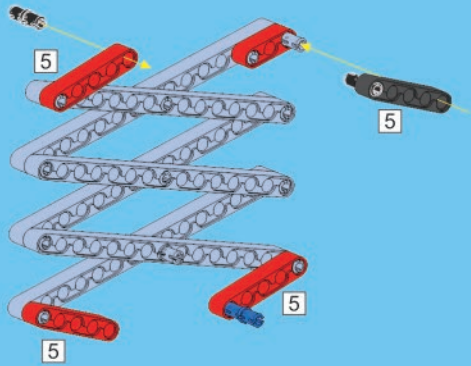


C11

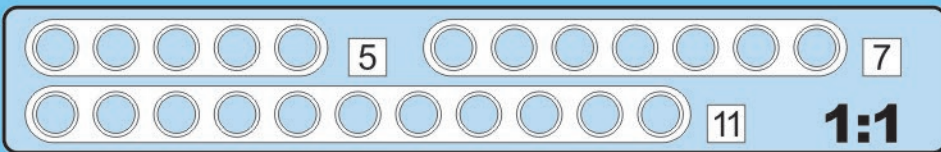
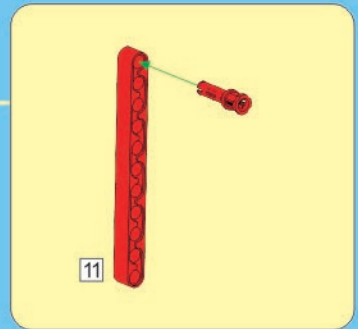
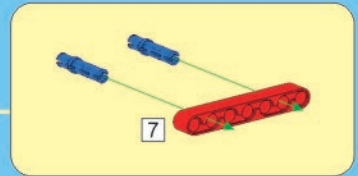
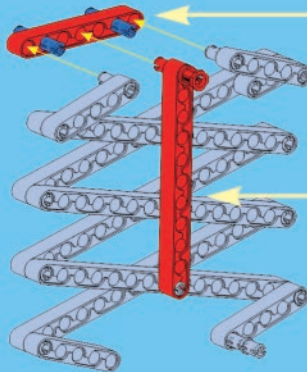




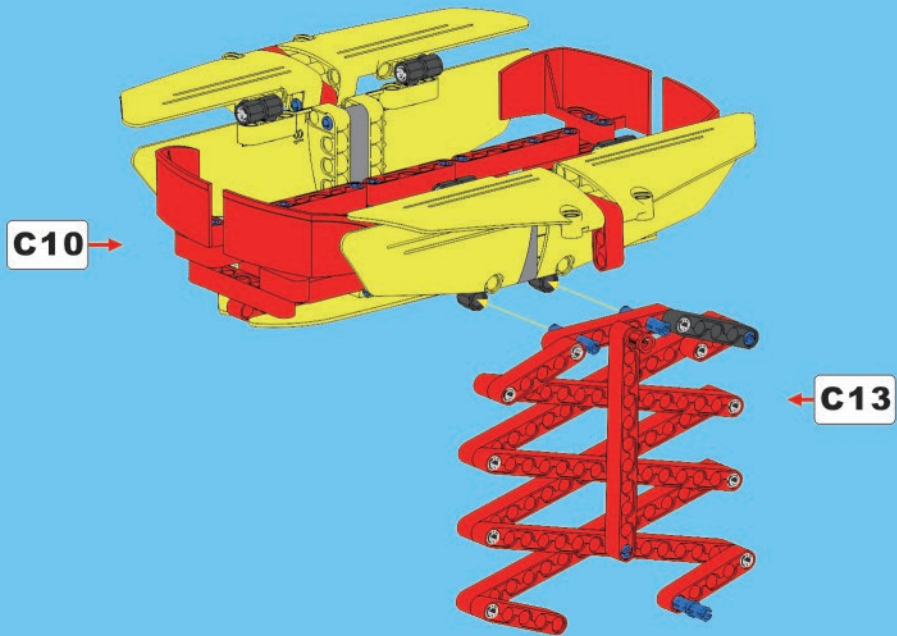
C12



C13

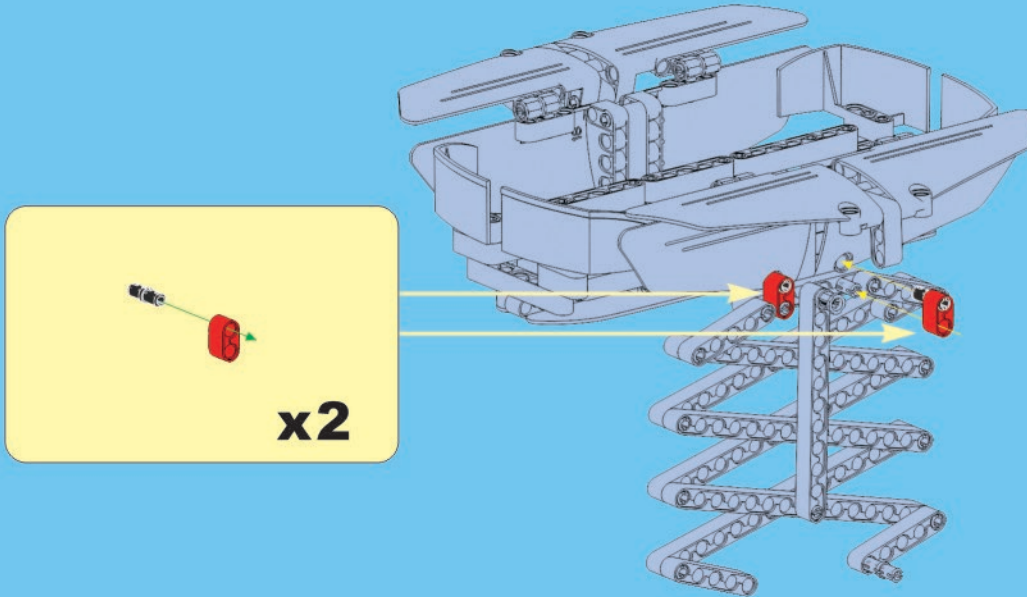


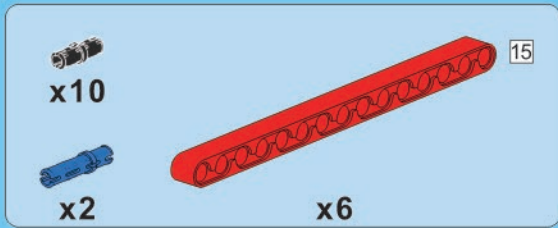
C14



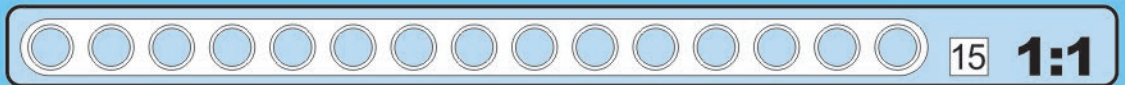
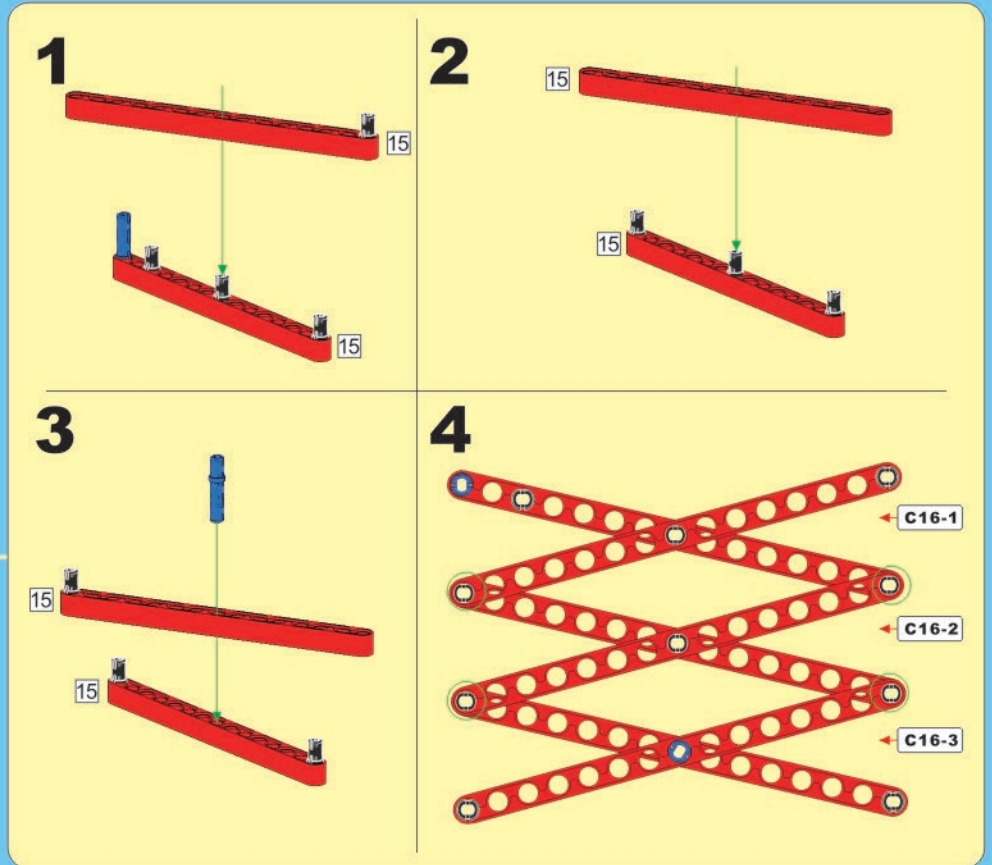


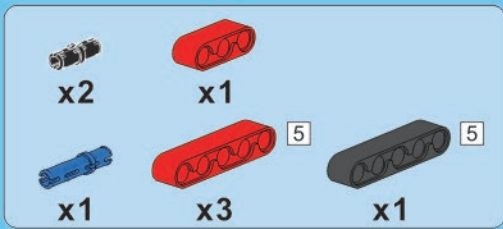
C15



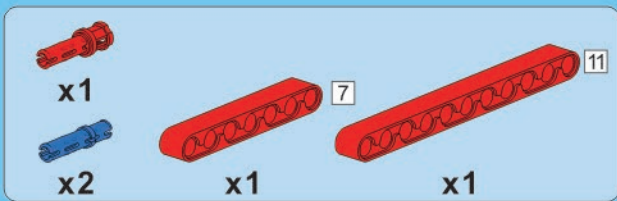
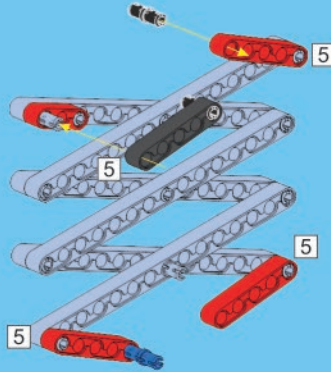


C16

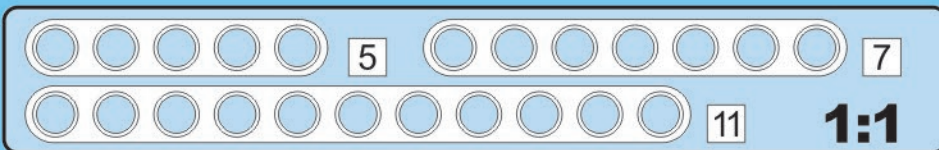
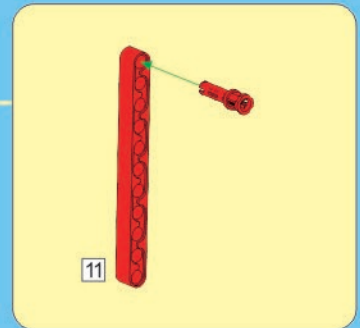
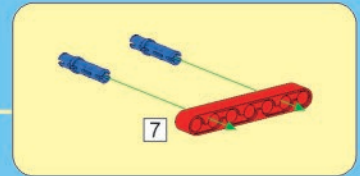
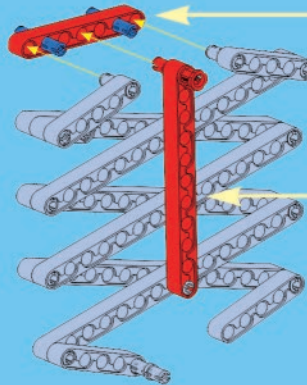




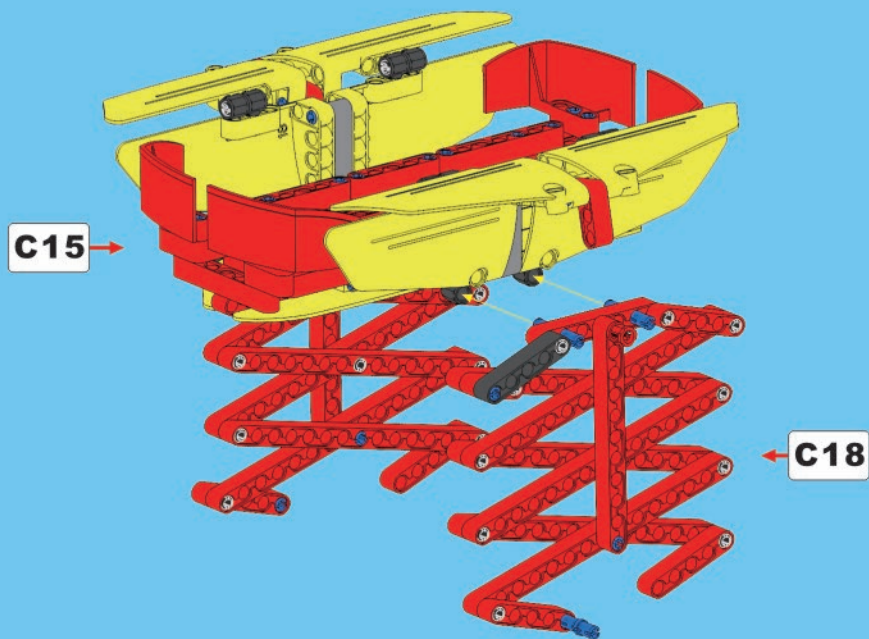
C17



C18



C19



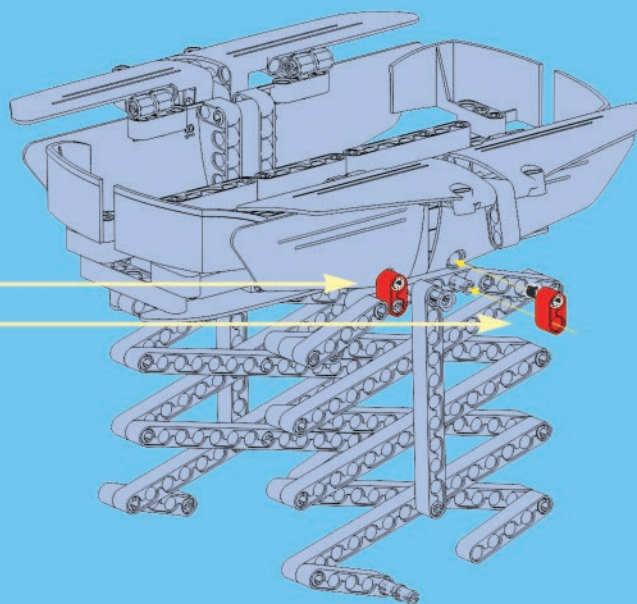
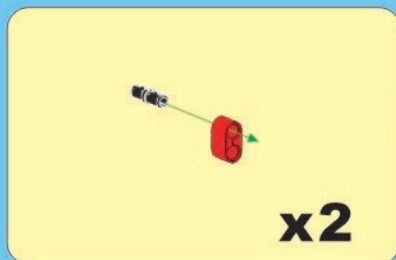


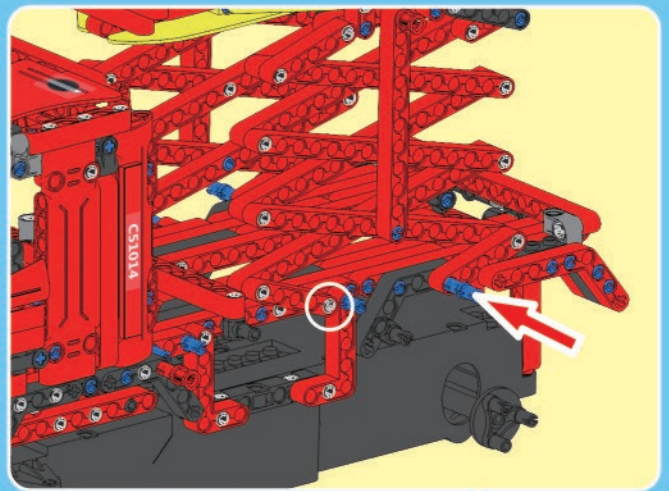
x2



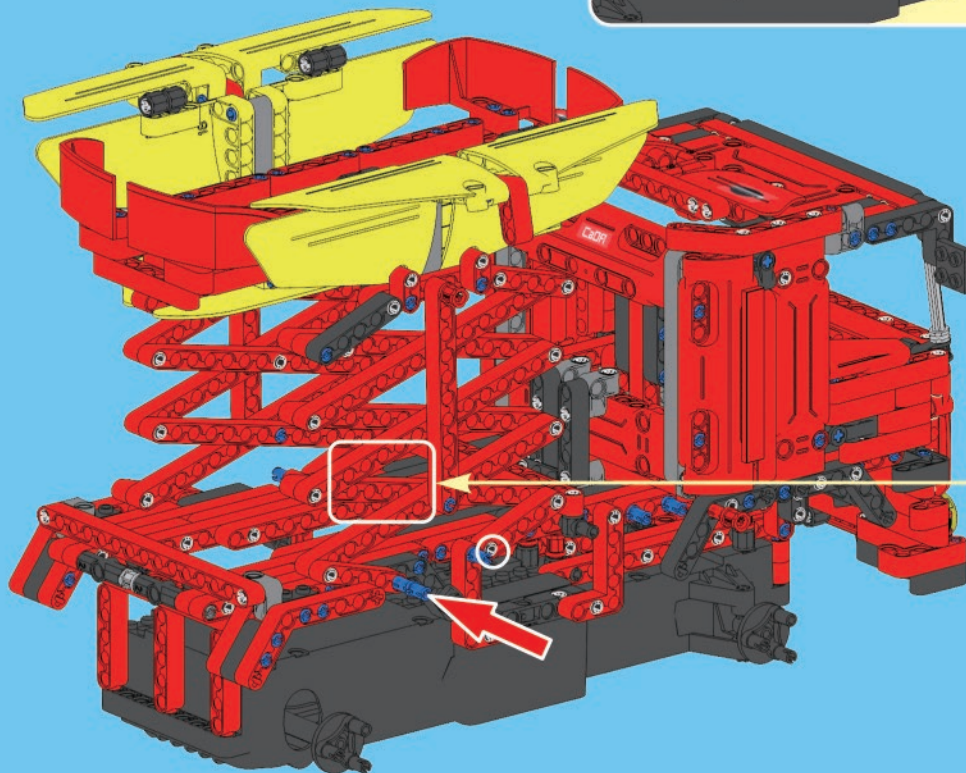
x2

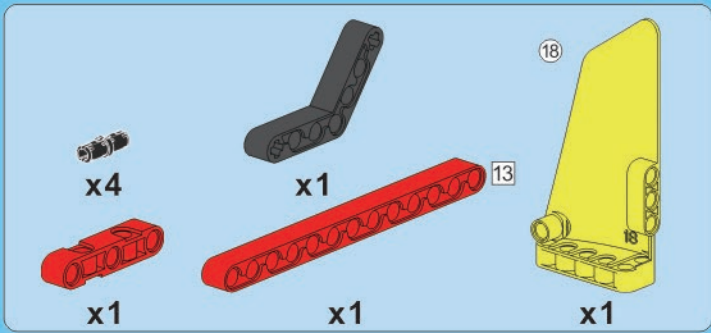
C20



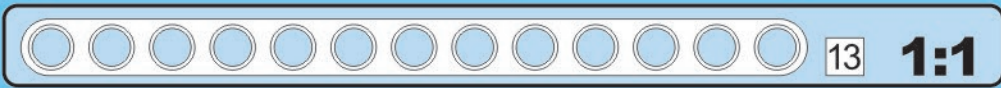
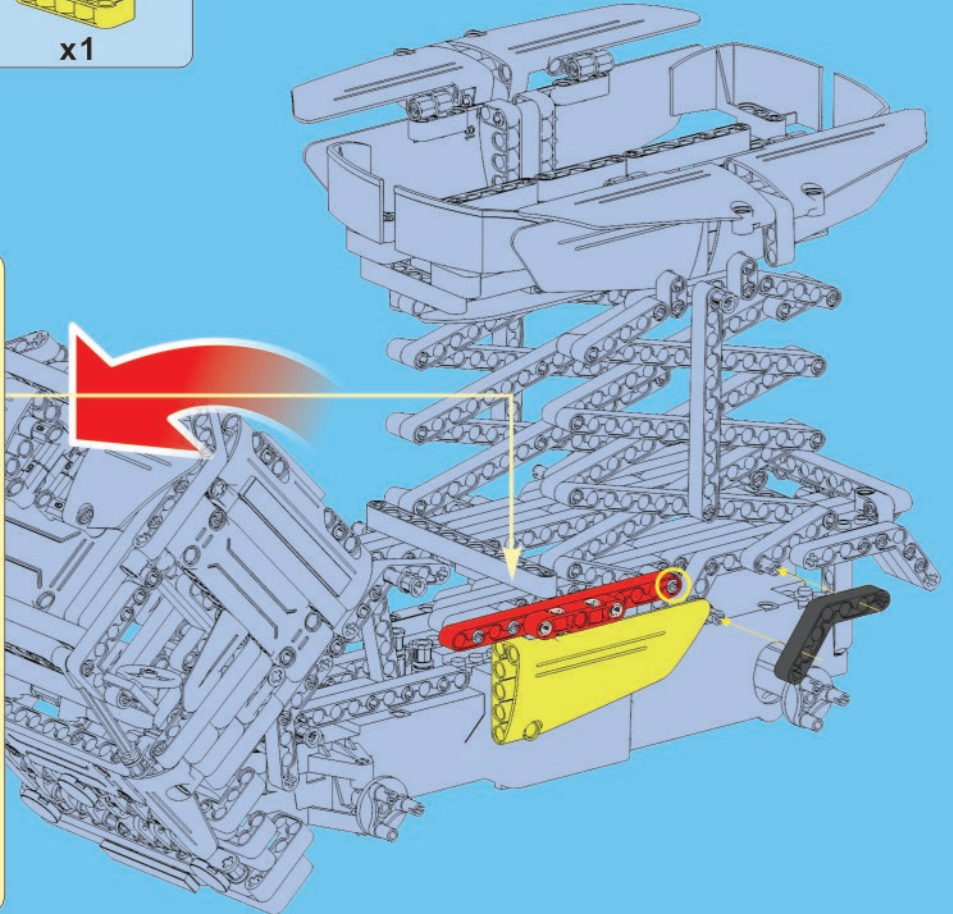
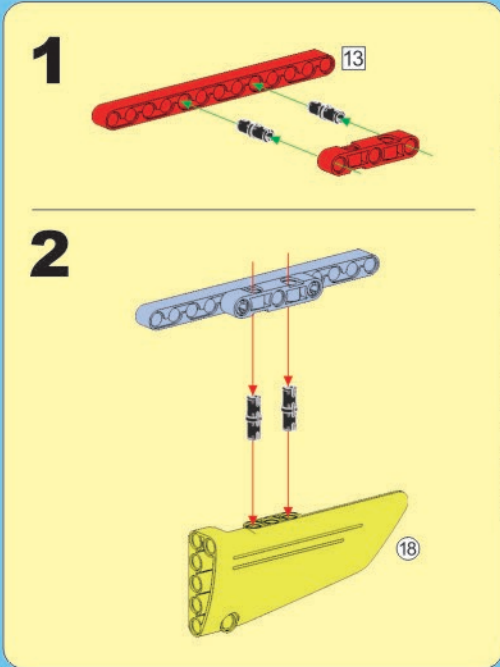


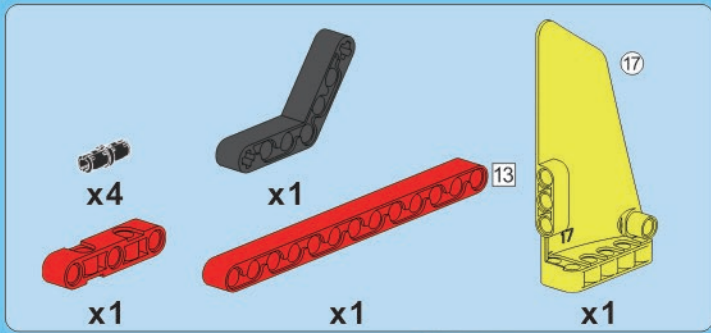
D1



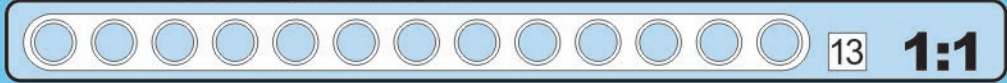
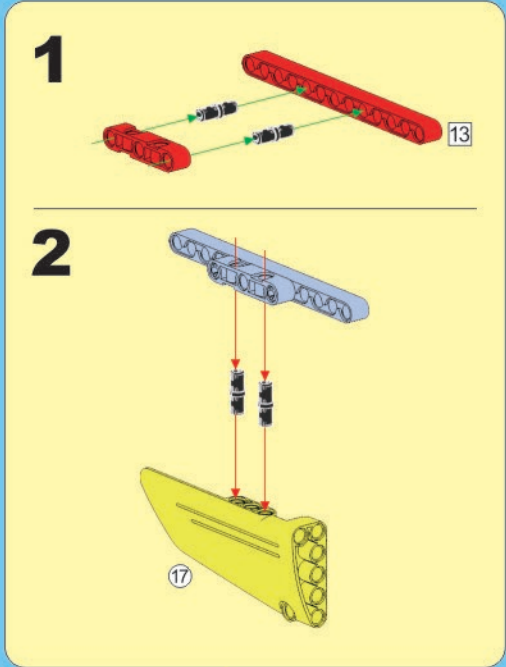
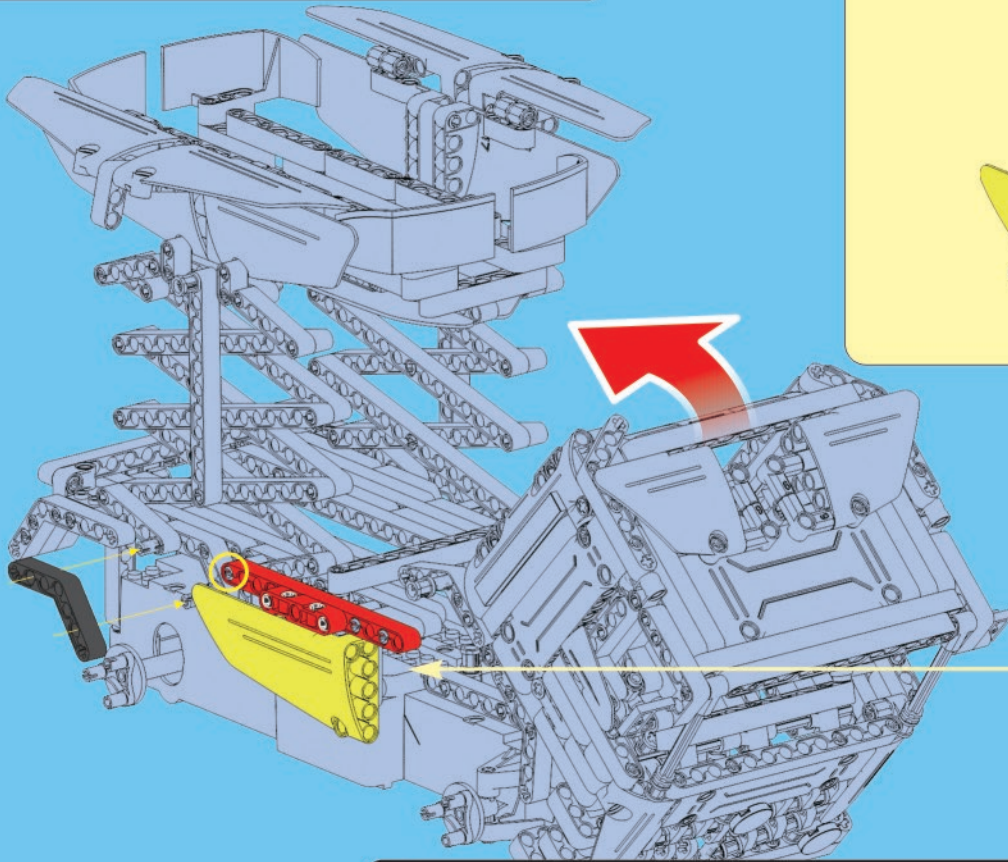


D2

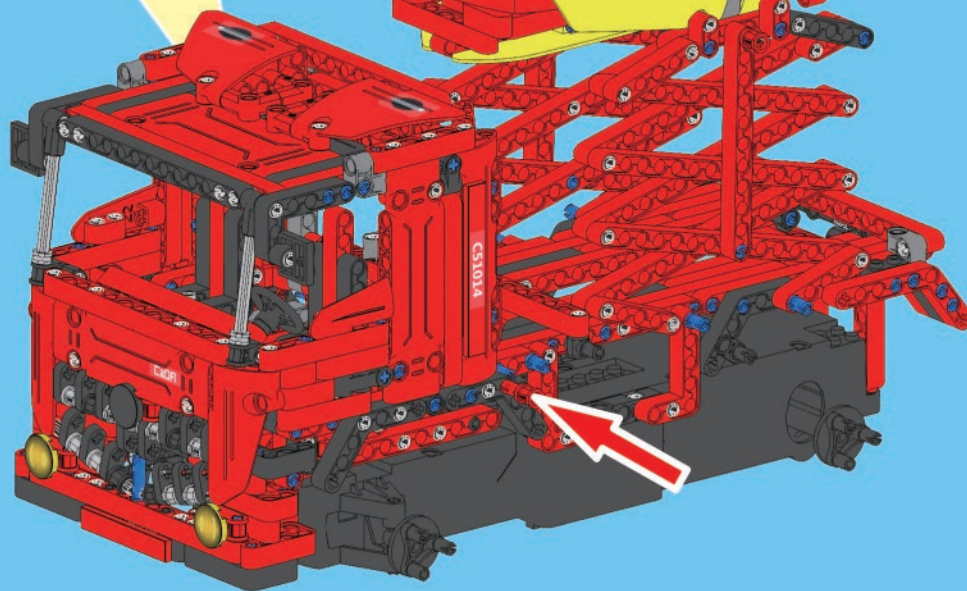
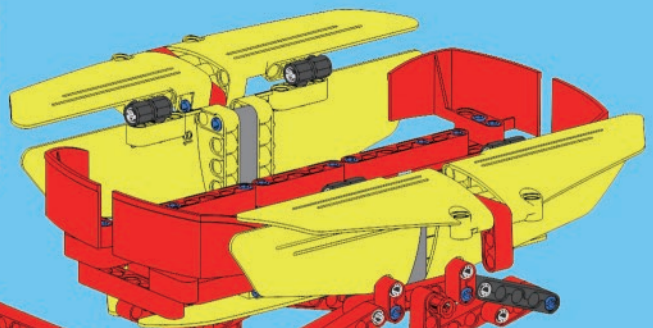
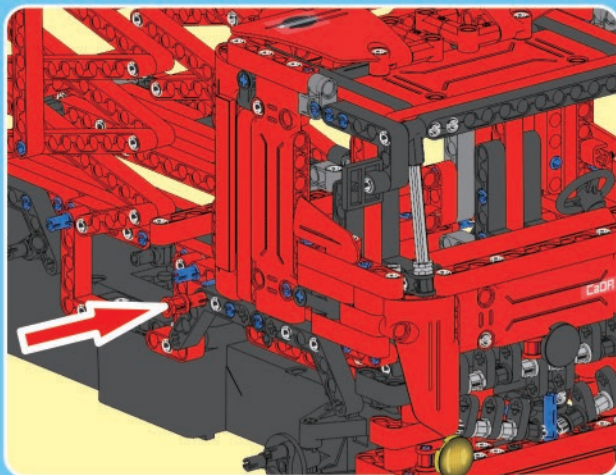


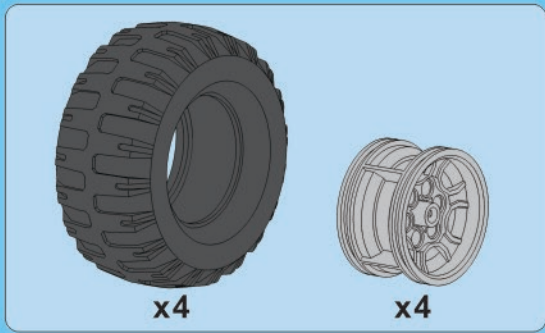


D3

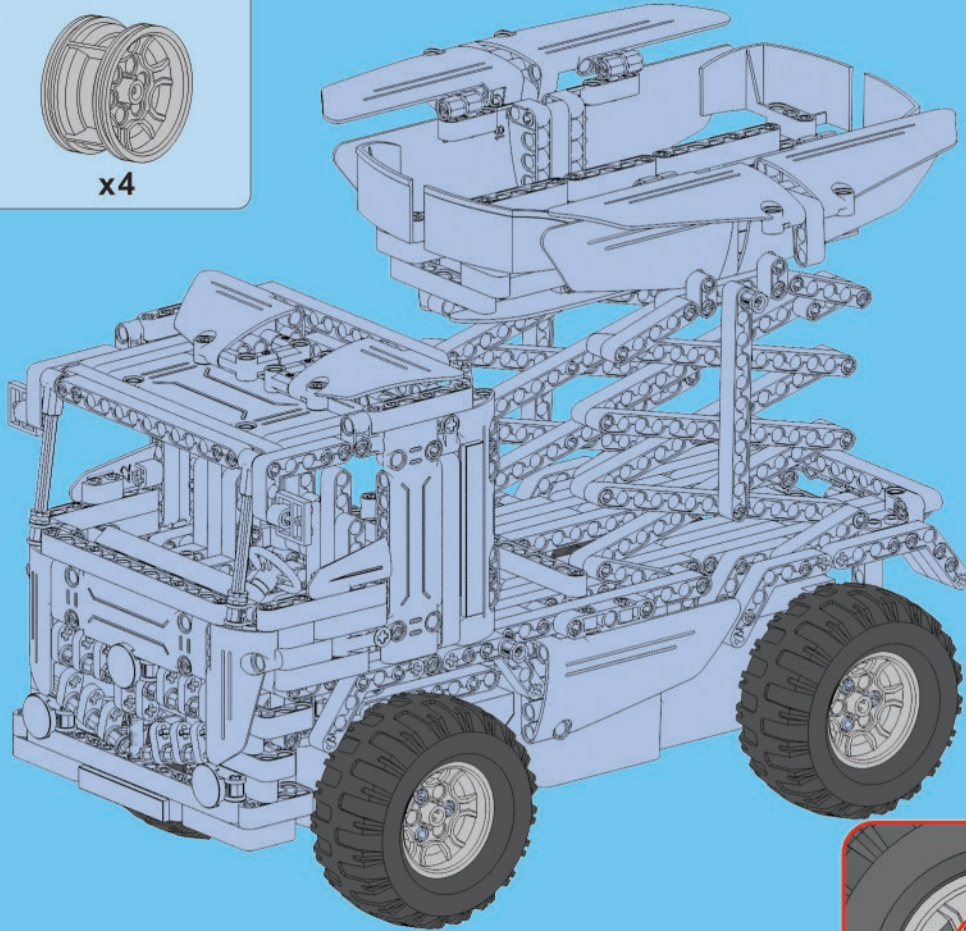


D4

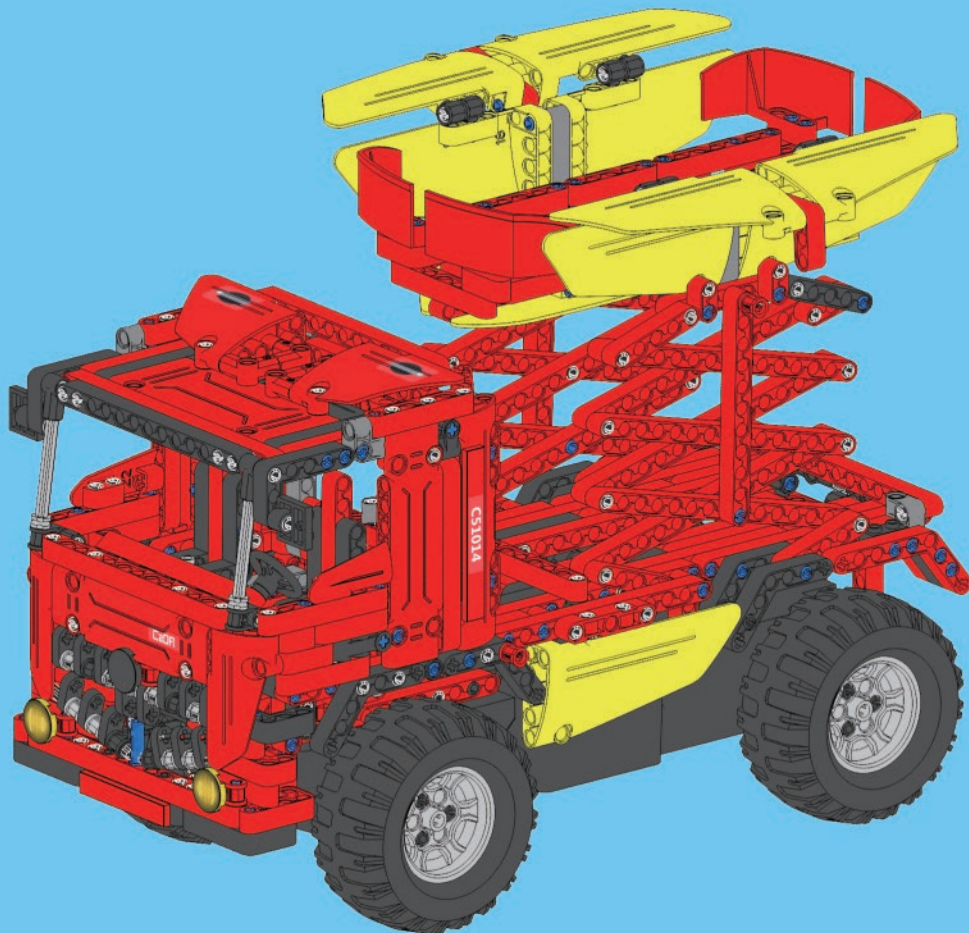


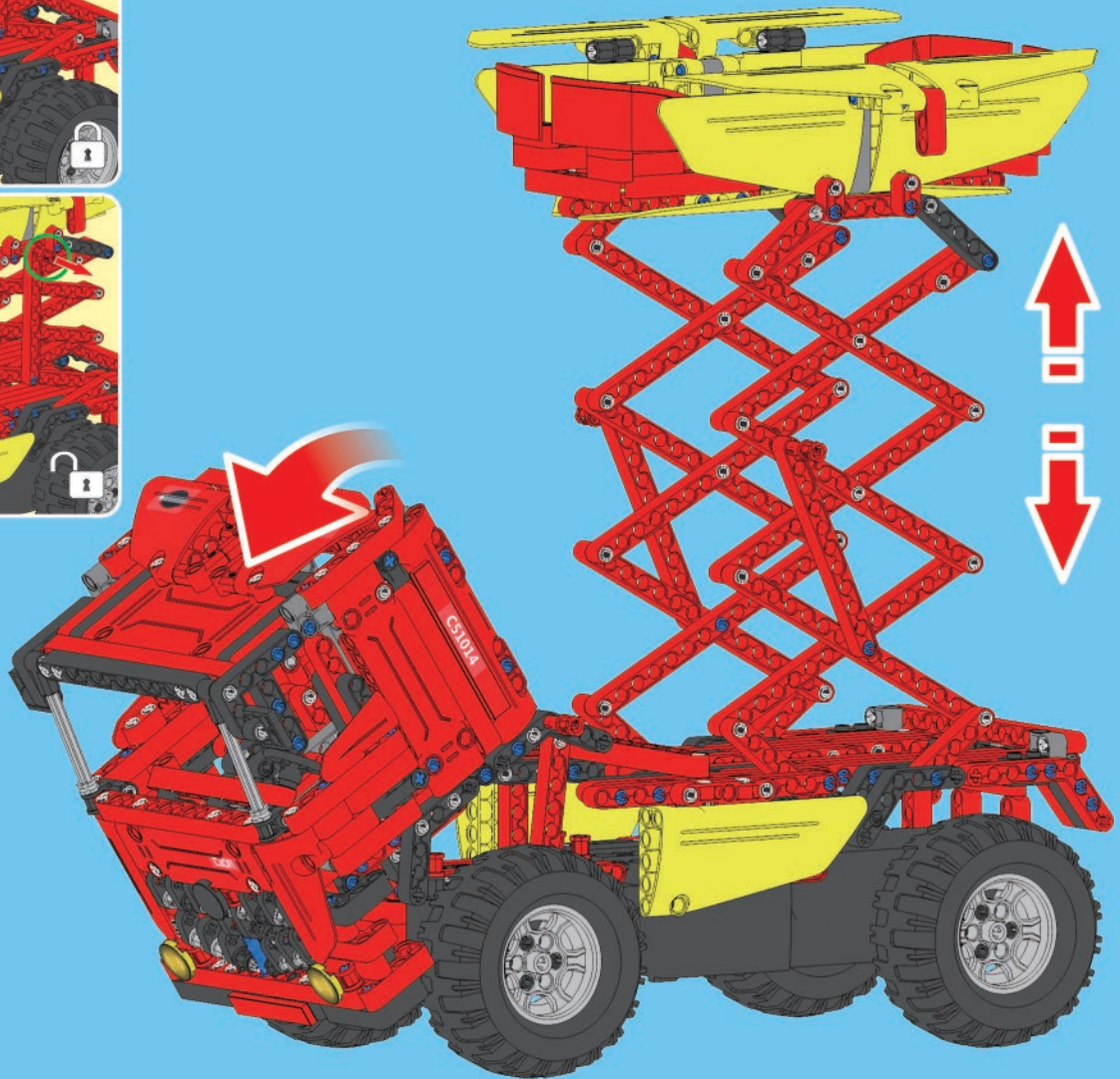
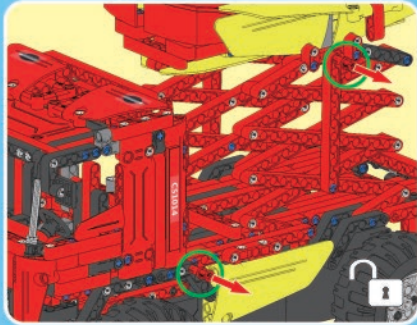
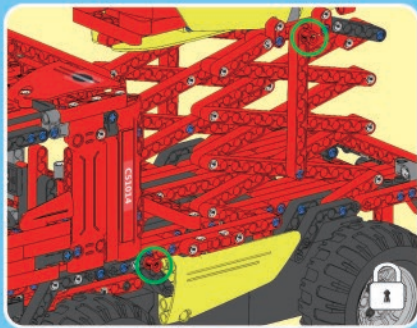


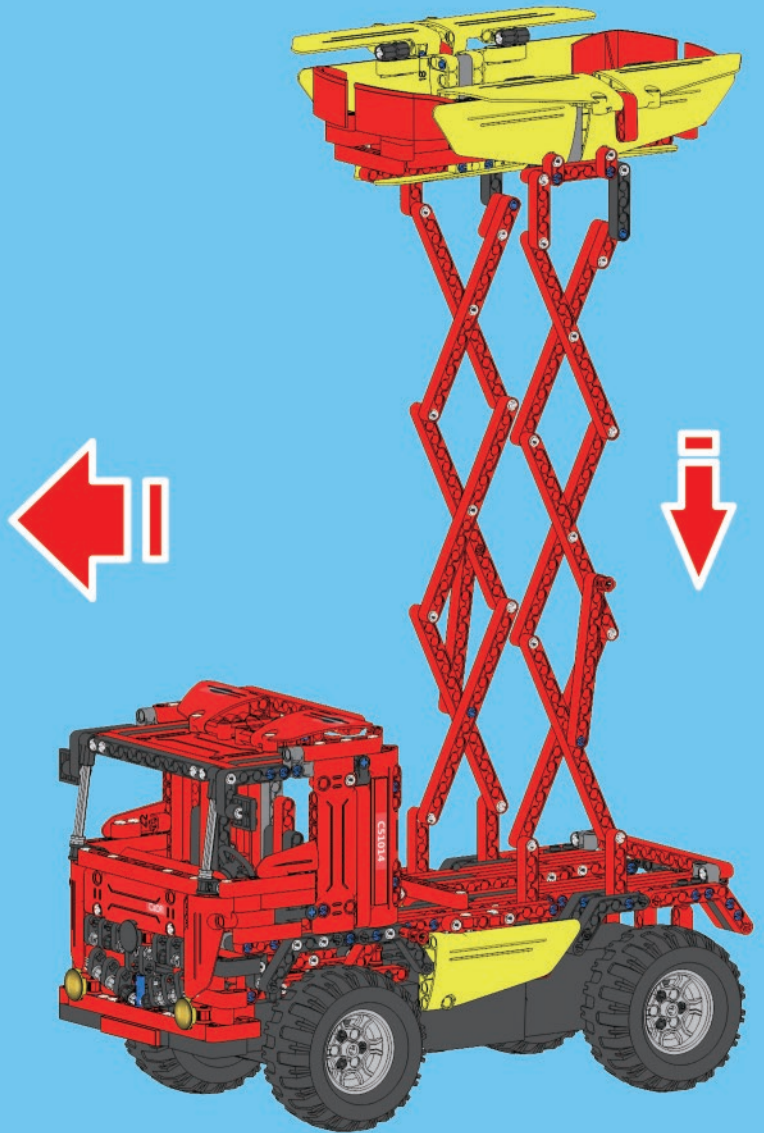
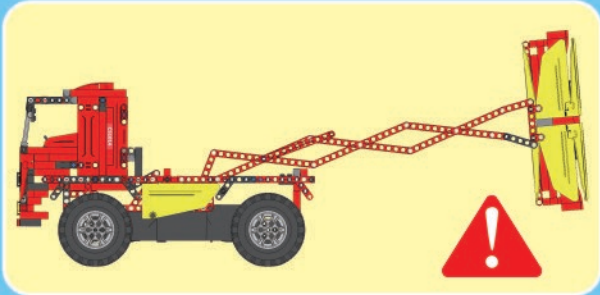
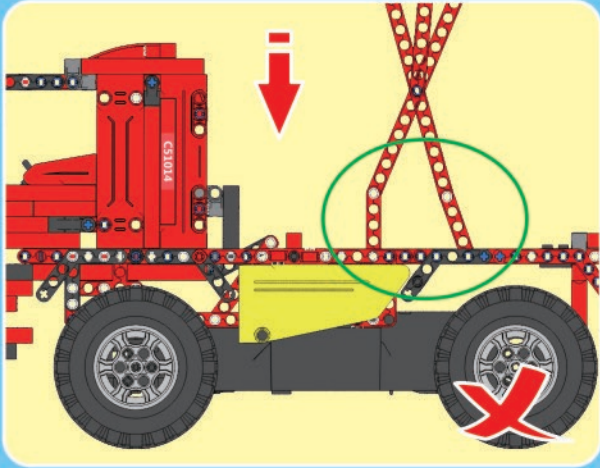
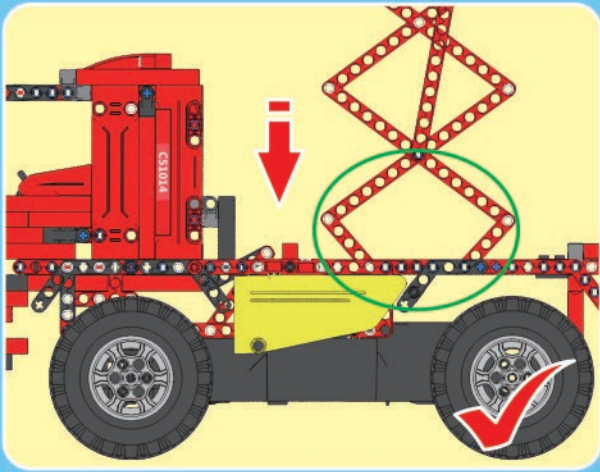
D5



D6







STEAM support



Science • Technology • Engineering • Art • Maths

The purpose of STEAM education-Science, Technology, Engineering, Art and Mathematics- is to provide students with the necessary skills, knowledge and experience in order to cope with the technological challenges of the future. Modern pedagogical theories suggest that the study of engineering should be incorporated in all other subjects, starting from elementary level. STEAM series, offers a practical solution for facing all these educational issues, aiding the teacher to engage students in STEAM disciplines in a fun, exciting and interesting way!

TECHNIC series

C51013



C51014



C51017

